

TSUBAKI ONE - TOUCH INSPECTION DOOR[®]

Industrial property design No. 795520



■ Safety grid type (Bolt fixing)

Non-removable without tools (for safety)

Heat resistance type is available (200 °C · 400 °C)

Gasket for heat resistance type needs to be applied



Easy Installation!!

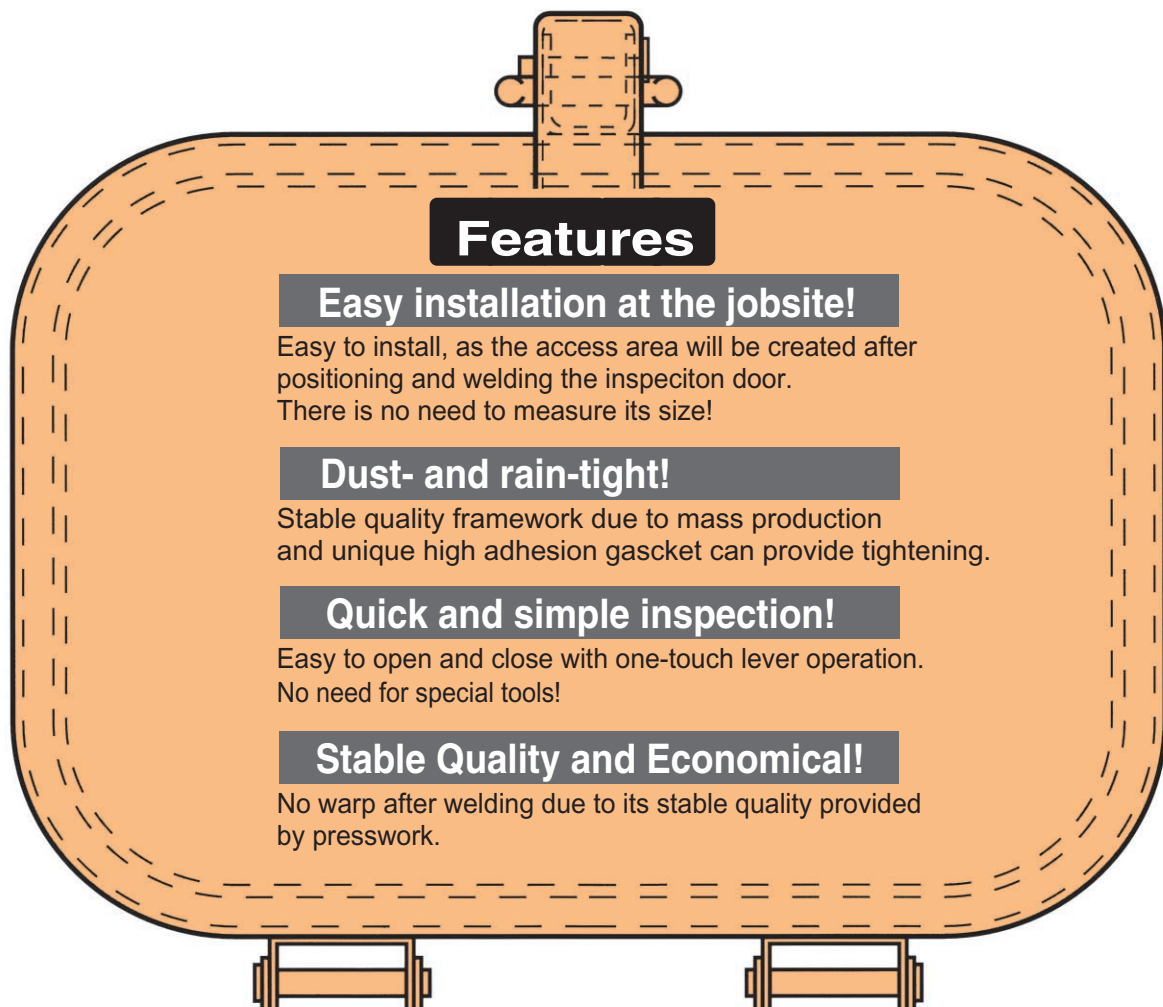
ONE-TOUCH INSPECTION DOOR[®] without the NEED for SPECIAL TOOLS!!

TSUBAKI ONE-TOUCH INSPECTION DOOR is developed by TSUBAKIMOTO BULK SYSTEMS CORP., based on our abundant experience as a conveyor manufacturer and customers' needs at the job site. Installed on conveyors, hoppers, storage bins, chutes and other places that need to be inspected or cleaned at different kinds of facilities.

CAUTION!

As for Usage

- Be sure to shut off the power supply of the machine and keep it off during the work, while inspection and cleaning are carried out.
- Do not put any part of the body into the machine under operation.
Failure to follow instructions may result in personal injury.
- Ensure that hoppers, storage bins chutes etc, are secure before opening one-touch inspection door, to avoid accidental injury from falling objects.
- Do not use one-touch inspection door either as a footstall or hung something heavy from it.
The strength of one-touch inspection door has been designed for solo purpose of inspection.
- In the case of using one-touch inspection door at high temperatures (100 ~ 400 °C), lever operation should be carried out after ensuring that the temperature is cooled down enough.
Accidental contact with the surface may cause personal injury.



STYLE

One-touch inspection door has regular and high-neck style, and each style has different types, such as standard, transparent windowed, withstanding pressure, residual prevention flanged and safety grid type. Each type has three series, which are P series (standard), Q series (corrosion proof) and R series (all stainless corrosion proof). There are three kinds of gaskets, Polyethylene foam, Neoprene rubber and Heat resistance (200 °C /400 °C). The best one-touch inspection door, therefore, will be selected depending on the atmosphere or the circumstances at the jobsite.

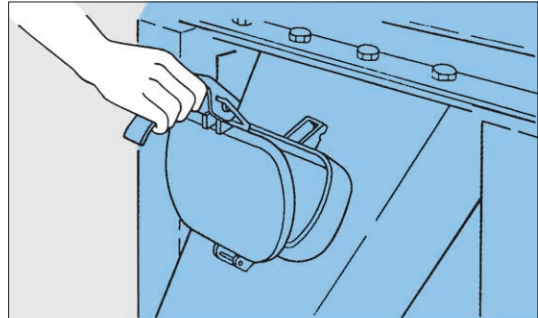
※ See the products list in detail (page 10)

● Regular (standard)

This is the regular style of one-touch inspection door, which provides stable quality.

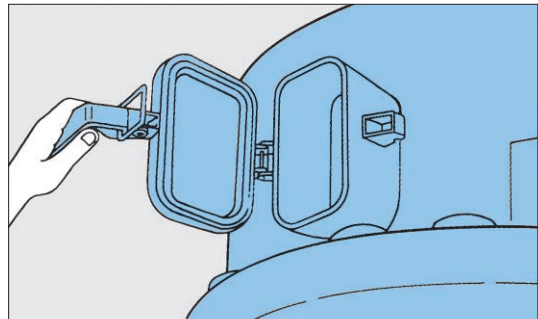


Replacement parts such as gasket, lever and hinge are available. Details are available at distributors

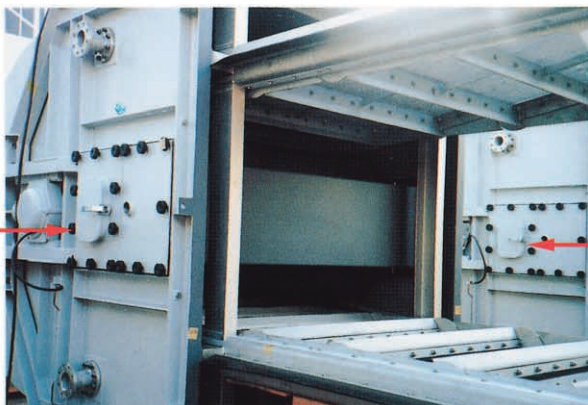


● High-neck style (H)

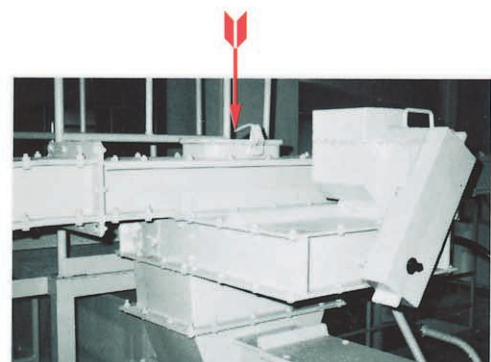
High-neck style has a higher frame than the regular style has. Suitable for installation on curved surface, areas using heat insulating materials and those which need the frame high.



◀ Example of Installation ▶



Used for inspection of water screen



Used for inspection at the cross section between two conveyors

Type

Standard type

		P series	Q series	R series
Materials	Frame	Mild steel	SUS304	
	Lever	Mild steel		SUS304
Coating/ Plating	Frame	Baking finish Rust-coloured	No plating (Pickling)	
	Lever	Uni-chrome plating		No plating (Pickling)

Heat resisting Temperature	Materials of gasket
below 80℃	Polyethylene foam (white)
below 100℃	*1 Neoprene rubber (grey)
*2 below 200℃	*4 Silicon rubber (ivory)
*3 below 400℃	Balcon (Ceramic fibre ... white)

- *1 Strong resilience when the cover is open
- *2、*3 Main body of the door will be delivered without plating (P series)
Adhesives used for gaskets
Silicon rubber (200 °C) : Silicon adhesive KE45RTV produced by Shin-Etsu Chemical Co., Ltd.
Balcon (400 °C) : Threebond 1109J produced by Three Bond Co., Ltd.
Due to the different coefficient of thermal expansion between steel plate and gasket, avulsion may occur.
However, we are exempted from responsibility for the above.
The stopper frame is equipped to prevent from it comes off.
- *4 Silicon rubber gasket meets the quality of food standards

Gaskets ... Same specifications for all styles, types and series
See the List of products (page10) in detail



Stopper frame of gasket
Heat resistance 200℃,400℃

Transparent windowed type (T)

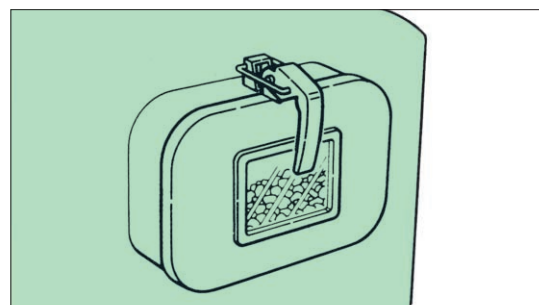
This type is for indoor use under ambient temperature (max.80℃).
You can check inside the machine or equipment without opening and closing the cover.
Basic specification is the same as that of each series.



Transparent window

Materials /
Window frame : Vinyl
Transparent window : Acrylic resin

*Transparent window with its frame as parts is available / on sale



Please place the transparent window into the cover at your site

■ Withstanding pressure type (V)

This withstanding pressure type has a thicker framed body and cover than the standard type.
A special gasket is used taking pressure tightness into account.

Materials	Main body	Mild steel plate (cover, frame : t4.5)
	Lever	Mild steel plate
Coating/ plating	Main body	Baking finish (rust-coloured, once)
	Lever	Uni-chrome plating
Heat resisting temperature		Below 100℃
Gasket		Neoprene rubber (black) - single-piece type



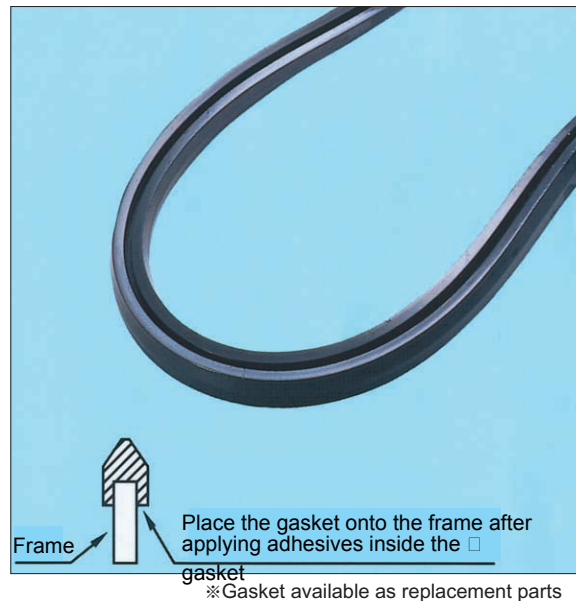
● Use

- Under high temperature (about 100℃) }
- Under high pressure }
Suitable for the conditions that might have air leakage caused by cover wrap due to high temperature or pressure
- Suitable for the conditions that requires air- and water-tightness

⚠ CAUTION!

- Based on our test results, it is proved that this inspection door can withstand 9.8kPa pressure (0.1kgf/cm²).
There is no leakage at air-tight level 7.3kPa (0.075kgf/cm²).
However, this result is not guaranteed as the air-tight level depends on the quality of welding and how well gasket is sealed.

■ Gasket



◀ Examples ▶



Standard type P4 used as hoods for drying rice paddy



High-neck type used for screw conveyor outlet chutes

Type

■ Residue prevention type (B)

Residue prevention type provides the least amount of residue inside of the door frame. Basic specification is the same as standard type, and residue prevention box is mounted to the cover.

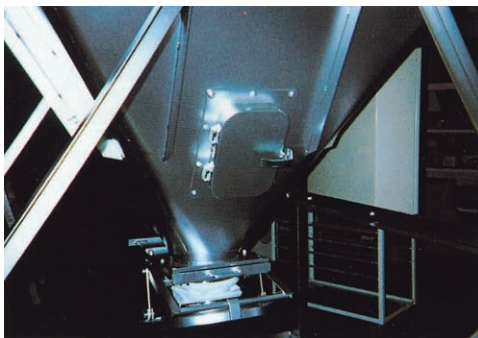
■ Residue prevention box

	P series	Q/R series
Material	Mild steel plate	SUS 304
Plate thickness	t2.3	t2.0



■ Flanged door type (F)

Flanged door type is suitable for the conditions where the risk of fire hazards or explosions are a concern, as its bolt assembly does not require re-rough coat or welding hot work.



Flanged door type installed on the bottom of a dust collector

■ Safety grid type - Roller catch fixing (G)

Taking Product Liability Law into account, the safety grid type utilises a more finite grid pitch to prevent accidental insertion of body parts. Basic specification is the same as those of other series.

		Size 1	Size 2, Size 3
Grid	Material	SUS 304	
	Rim	—	φ5
	Grid pitch	φ2×pitch20	φ2×pitch30
Fixing	Material	SUS 304	
	Passive side	Grid fixture	Bracket
	Positive side	Grid fixture	Roller catch

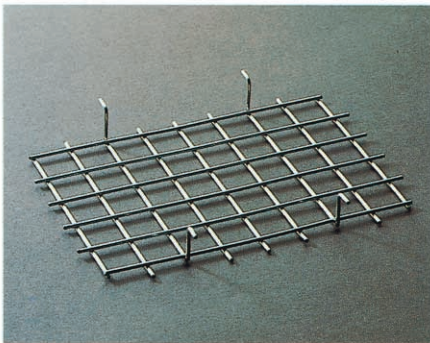
※Grid, roller catch and other fixing parts are available for sale



Safety Grid type (size 1)



Passive side (size 2&3)

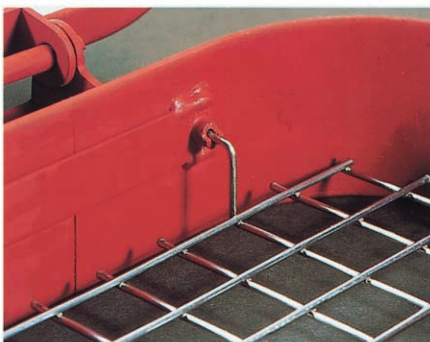


Grid (size 1)

■ Roller catch

	Material
Main body	SUS 430 t0.7
Roller	Nylon resin

※ Heat resistance : 60℃



Passive / Positive side (size 1)
Fixing hole



Roller catch at positive side (size 2&3)

Type

■ Safety grid type - Bolt fixing (GK)

Unable to remove the grid without tools for safety

Possible to use as a heat resistant type (200°C- 400°C) ... Use special gaskets for heat resistance

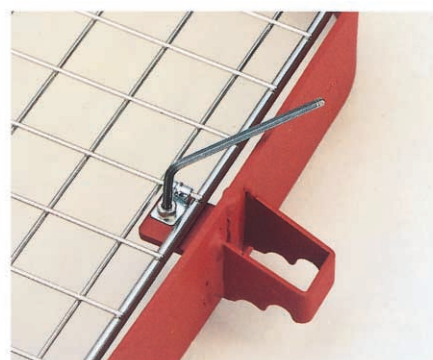
Basic specification is the same as those of other series

		Size 1	Size 2, 3 & 4
Grid	Material	SUS 304	
	Rim	—	φ5
	Grid pitch	φ2× pitch 20	φ2× pitch 30
金網止金具 金網固定台 金網プレート	Material	SUS 304	
Bolt	—	Hexagon socket head cap screw	
Tool	—	Hexagon stick spanner (accessory)	

Grid and other fixing parts are available for sale



Safety grid type (size 2)



Structure design prevents accidental droppage of grid fixture



Structure design prevents accidental droppage of grid fixing bolt

⚠ CAUTION!

- Safety grid types are measures for product liability law, that is designed for preventing accidental insertion of body parts when the cover of the inspection door is open. However, the fingers can get through the grid, as its pitch cannot be too finite due to the aim of the inspection door. Therefore, it may result in personal injury such as amputations, if you insert the fingers deeply.
- Simple fixing structure is applied to provide as wide availability of the opening size as possible. Do not place things like tools or your weight on the grid, otherwise the below accidents may occur.
 - Warp and fall of the grid
 - Risk of fall of tools and breakage of the machine
 - Risk of injury of body parts due to accidental insertion
- When removing the grid, take the both edges of it, remove the hooks (positive side) from the fixing hole (size1) or the roller catch (size2&3), and pull the grid out of the bracket. Complete the inverse order when installing the grid. Do not drop the grid into the machine, otherwise it may result in a machine damage.
- The grid for size1 takes advantage of its resilience to be set securely. If the grid is not kept strictly due to its weak resilience, widen hooks' angle outward and put them into the hole catches. If the retention is not strong enough, the grid may fall into due to vibration and shock of the machine, which may cause a damage of the machine.

— GK (Bolt fixing type)

The safety grid is fastened by brackets instead of roller catch. A hexagon stick spanner (accessory) is used for installing and removing. While working on inspection door, keep an eye on the hexagon stick spanner and the safety grid not to accidentally drop, It may cause a damage of the machine.

■ Keyed inspection door ... Quotation at your request

- Unable to open the cover without a key ... The key is a master key for all types (for safety) and model numbers

Keyed inspection door has standard and flanged types with gaskets made of polyethylene foam or neoprene rubber.



Series

★Standard (P) series

Mild steel pate, press molded one-touch inspection door



Materials	Main body	Mild steel plate cover : t2.3 frame : t3.2
	Lever	Mild steel plate
Coating	Main body	Baking, Primary coat Rust-coloured
	Lever	Uni-chrome plating

★Corrosion proof (Q) series

Stainless steel pate, press molded one-touch inspection door
Mild steel lever, same as (P) series, is used



Materials	Main body	SUS 304 cover : t2 frame : t3
	Lever	Ordinary steel plate
Coating	Main body	No plating (pickling)
	Lever	Uni-chrome plating

Buffing #200 is available for inner surface

★All stainless corrosion proof (R) series

All stainless steel pate, press molded one-touch inspection door including lever



Materials	Main body	SUS 304 cover : t2 frame : t3 (t3)
	Lever	SUS 304
Coating	Main body	No plating (pickling)
	Lever	No plating (pickling)

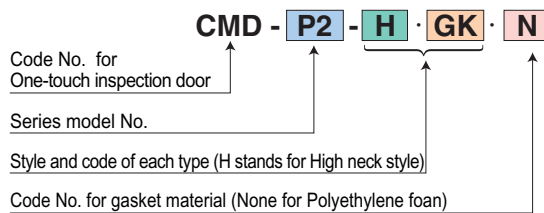
Buffing #200 is available for inner surface
() Only for size 4

Products List

Style	Type	Gasket	Code No.	P series Model number				Q series Model number				R series Model number			
			Types & materials of gaskets	P1	P2	P3	P4	Q1	Q2	Q3	Q4	R1	R2	R3	R4
Regular	Standard	Polyethylene foam	None	○	○	○	○	○	○	○	△	○	○	○	○
		Neoprene rubber	-N	○	○	○	○	○	○	○	△	○	○	○	○
		H.R. 200℃ Silicon rubber	-200D	○	○	○	○	○	○	○	△	○	○	○	○
		H.R. 400℃ Balcon	-400D	○	○	○	○	○	○	○	△	○	○	○	○
	Transparent Windowed	Polyethylene foam	-T	○	○	○	-	○	○	○	-	○	○	○	-
		Neoprene rubber	-T·N	○	○	○	-	○	○	○	-	○	○	○	-
	Withstanding pressure	Single-pieced press mold	-V	-	○	○	-	-	-	-	-	-	-	-	-
		Polyethylene foam	-B	○	○	○	○	○	○	○	△	○	○	○	△
	Residue Prevention	Neoprene rubber	-B·N	○	○	○	○	○	○	○	△	○	○	○	△
		H.R. 200℃ Silicon rubber	-B·200D	△	○	○	△	△	△	△	△	△	△	△	△
		H.R. 400℃ Balcon	-B·400D	△	○	○	△	△	△	△	△	△	△	△	△
	Flanged	Polyethylene foam	-F	○	○	○	-	△	△	△	-	△	△	△	-
		Neoprene rubber	-F·N	○	○	○	-	△	△	△	-	△	△	△	-
	* Safety grid (Roller catch fixing)	Polyethylene foam	-G	○	○	○	△	○	○	○	△	○	○	○	△
		Neoprene rubber	-G·N	○	○	○	△	○	○	○	△	○	○	○	△
	Safety grid (Bolt fixing)	Polyethylene foam	-GK	○	○	○	○	○	○	○	△	○	○	○	○
		Neoprene rubber	-GK·N	○	○	○	○	○	○	○	△	○	○	○	○
		H.R. 200℃ Silicon rubber	-GK·200D	○	○	○	○	○	○	○	△	○	○	○	○
		H.R. 400℃ Balcon	-GK·400D	○	○	○	○	○	○	○	△	○	○	○	○
	High-neck	Standard	Polyethylene foam	-H	○	○	○	○	○	○	○	△	○	○	○
Neoprene rubber			-H·N	○	○	○	○	○	○	○	△	○	○	○	○
H.R. 200℃ Silicon rubber			-H·200D	○	○	○	△	○	○	○	△	○	○	○	△
H.R. 400℃ Balcon			-H·400D	○	○	○	△	○	○	○	△	○	○	○	△
Transparent Windowed		Polyethylene foam	-H·T	○	○	○	-	○	○	○	-	○	○	○	-
		Neoprene rubber	-H·T·N	○	○	○	-	○	○	○	-	○	○	○	-
Withstanding pressure		Single-pieced press mold	-H·V	-	○	○	-	-	-	-	-	-	-	-	-
		Polyethylene foam	-H·G	○	○	○	△	○	○	○	△	○	○	○	△
Safety grid (Roller catch fixing)		Neoprene rubber	-H·G·N	○	○	○	△	○	○	○	△	○	○	○	△
		Polyethylene foam	-H·GK	○	○	○	○	○	○	○	△	○	○	○	○
Safety grid (Bolt fixing)		Neoprene rubber	-H·GK·N	○	○	○	○	○	○	○	△	○	○	○	○
		H.R. 200℃ Silicon rubber	-H·GK·200D	○	○	○	○	○	○	○	△	○	○	○	○
		H.R. 400℃ Balcon	-H·GK·400D	○	○	○	○	○	○	○	△	○	○	○	○

* Size 1 is not roller catch type ◎ Products in stock ○ Parts in stock △ Made to order - Non-manufactured items
 See photos at page 6 and specifications at page 15

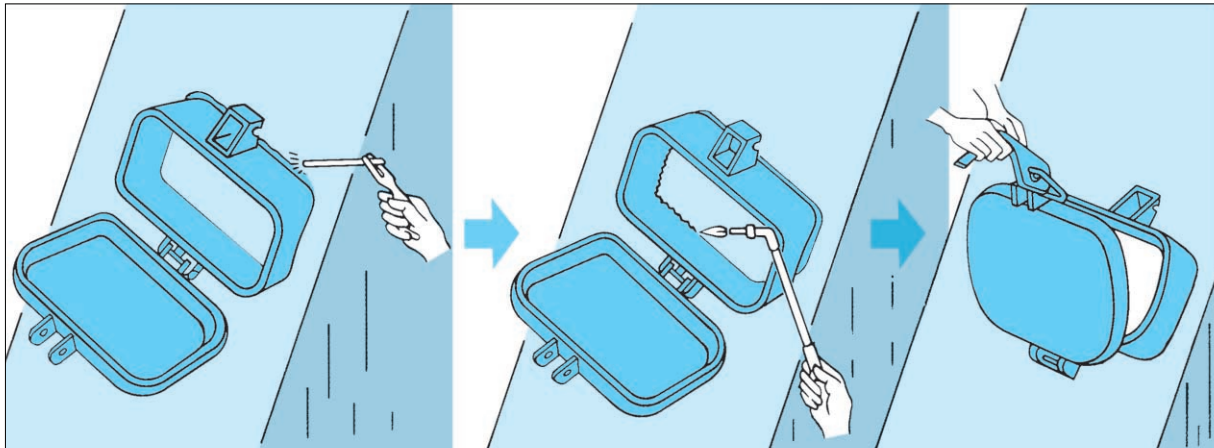
<Example of model numbers>



Replacement covers are available (Except for those of transparent windowed and withstanding pressure types).
 Assembling parts of the replacement covers do not include gaskets and levers, but fixing pins and split pins.

How to install

◀ How to install ▶



- Solidly weld the frame to the surface
- Open the door and carefully torch burn the centre to create the access area
- apply the gasket and attach the lever

◀ Example of installation ▶



One-touch inspection doors installed on the two way gate



One-touch inspection doors installed on bearings of a Ferris wheel for inspection and lubrication



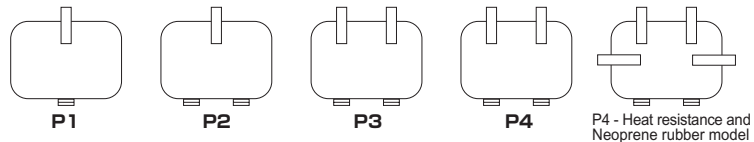
CAUTION!

As for Installation

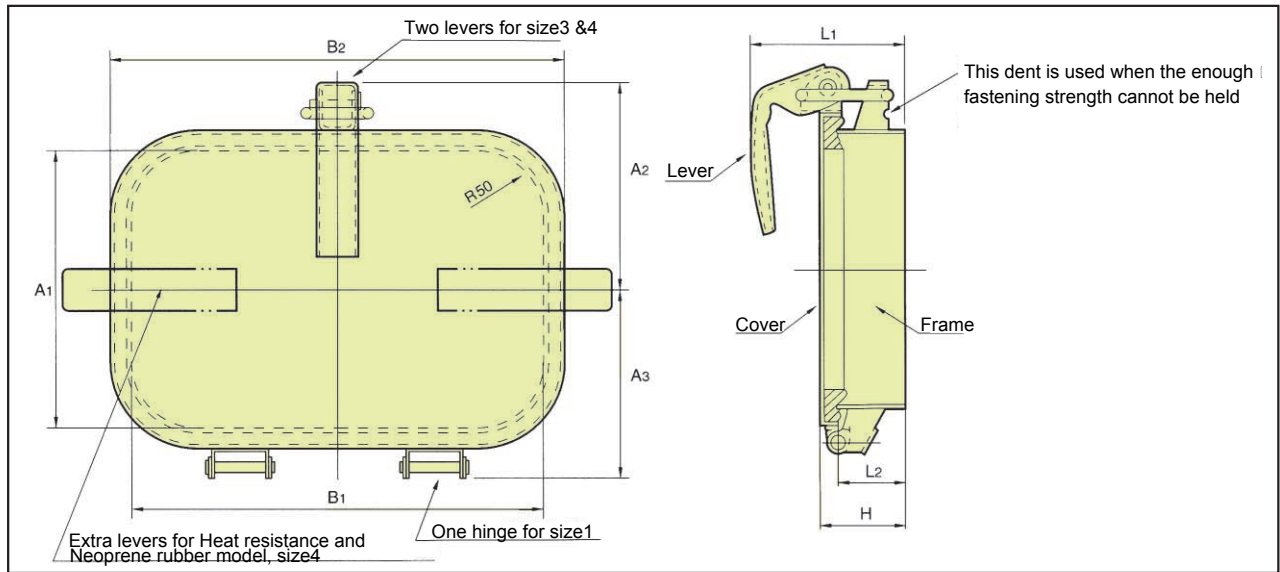
- Do not install the one-touch inspection door in flammable or explosive atmospheres. In the case of the above, flanged type is recommended.
- When installing the one-touch inspection door, tack weld it into position, and then solidly weld the circumference of the frame.
- Place the hinge area of the one-touch inspection door sidewise or downwards. In the case that the hinge area is placed upwards, keep an eye on the door as it might fall and cause injury due to vibration, shock or wind pressure.
- While installing the one-touch inspection door, wear appropriate clothes and protective equipment (helmet, gloves, safety shoes, safety glasses etc.)
- Only qualified personnel can install the one-touch inspection door.

Specifications

Levers and hinges of each model size



Regular style (Standard) (Heat resistance model : same as the below dimensions)

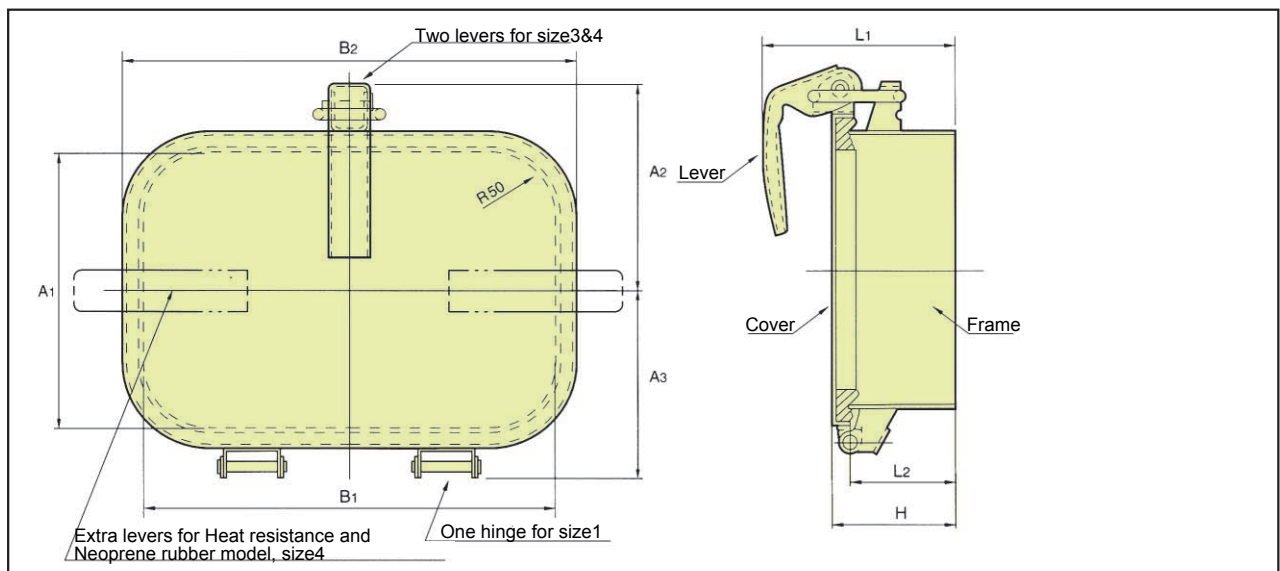


(mm)

Model No.	Frame body		Cover				Lever			Weight (kg)
	A ₁	B ₁	A ₂	A ₃	B ₂	H	L ₁	L ₂	Qty.	
CMD-P1 (-Q1) (-R1)	130	200	115	103	230	63	121	48	1	2.0
CMD-P2 (-Q2) (-R2)	200	300	150	138	330	63	121	48	1	3.0
CMD-P3 (-Q3) (-R3)	350	500	225	213	530	63	121	48	2	6.0
※ CMD-P4 (-R4)	500	600	300	288	630	88	146	73	$\frac{2}{(4)}$	11.0

※ () Size 4 of Heat resistance and Neoprene rubber model

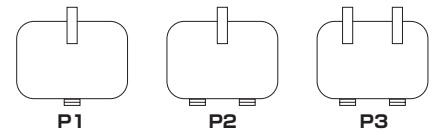
High neck style (Standard) (Heat resistance model : same as the below dimensions)



(mm)

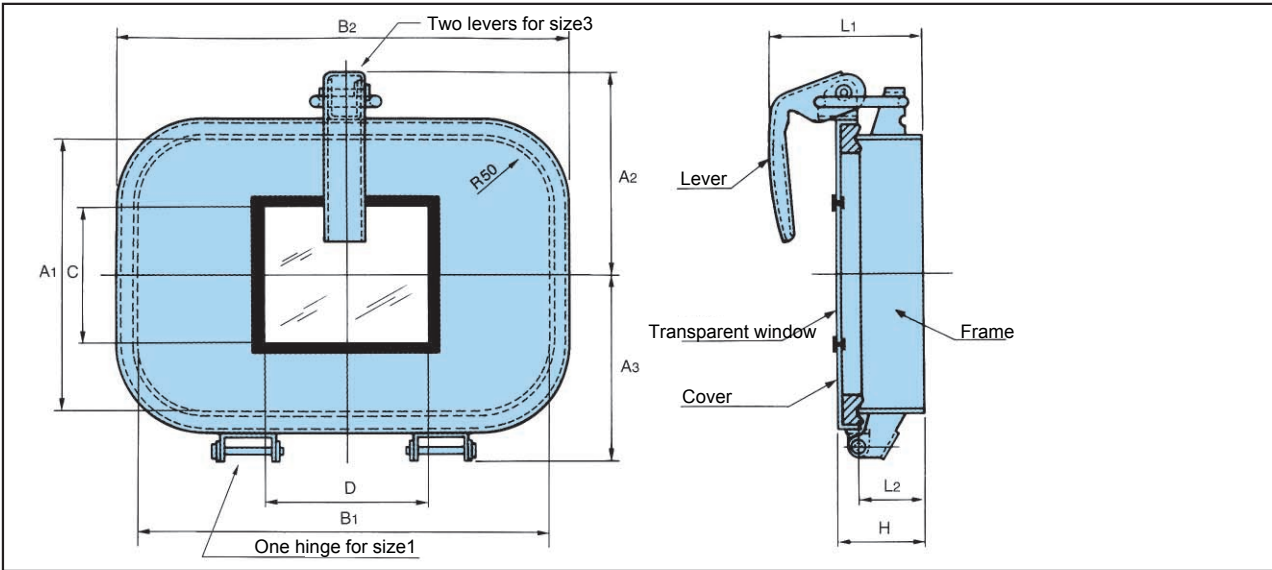
Model No.	Frame body		Cover				Lever			Weight (kg)
	A ₁	B ₁	A ₂	A ₃	B ₂	H	L ₁	L ₂	数	
CMD-P1-H (-Q1-H) (-R1-H)	130	200	115	103	230	113	171	98	1	2.7
CMD-P2-H (-Q2-H) (-R2-H)	200	300	150	138	330	113	171	98	1	4.2
CMD-P3-H (-Q3-H) (-R3-H)	350	500	225	213	530	113	171	98	2	8.0
CMD-P4-H (-R4-H)	500	600	300	288	630	113	171	98	$\frac{2}{(4)}$	12.4

※ () Size 4 of Heat resistance and Neoprene rubber model



Specifications

Transparent windowed

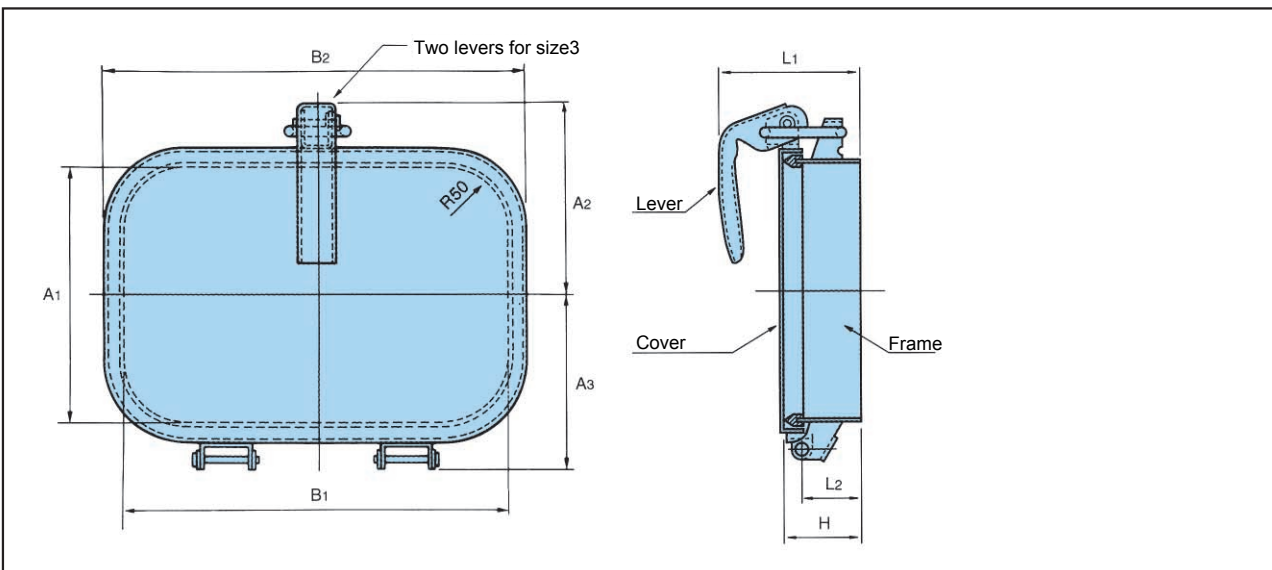


(mm)

Model No.	Frame body		Cover				Lever			Transparent window		Weight (kg)
	A ₁	B ₁	A ₂	A ₃	B ₂	H	L ₁	L ₂	数	C	D	
CMD-P1-T (-Q1-T) (-R1-T)	130	200	115	103	230	63 (113)	121 (171)	48 (98)	1	70	85	2.0 (2.7)
CMD-P2-T (-Q2-T) (-R2-T)	200	300	150	138	330	63 (113)	121 (171)	48 (98)	1	85	130	3.0 (4.2)
CMD-P3-T (-Q3-T) (-R3-T)	350	500	225	213	530	63 (113)	121 (171)	48 (98)	2	150	220	6.0 (8.0)

※ () High-neck style

Withstanding pressure type

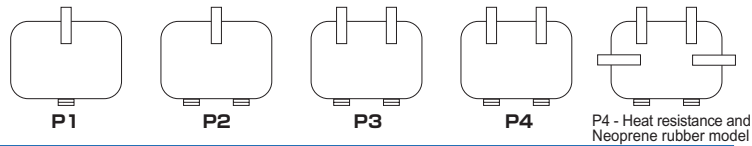


(mm)

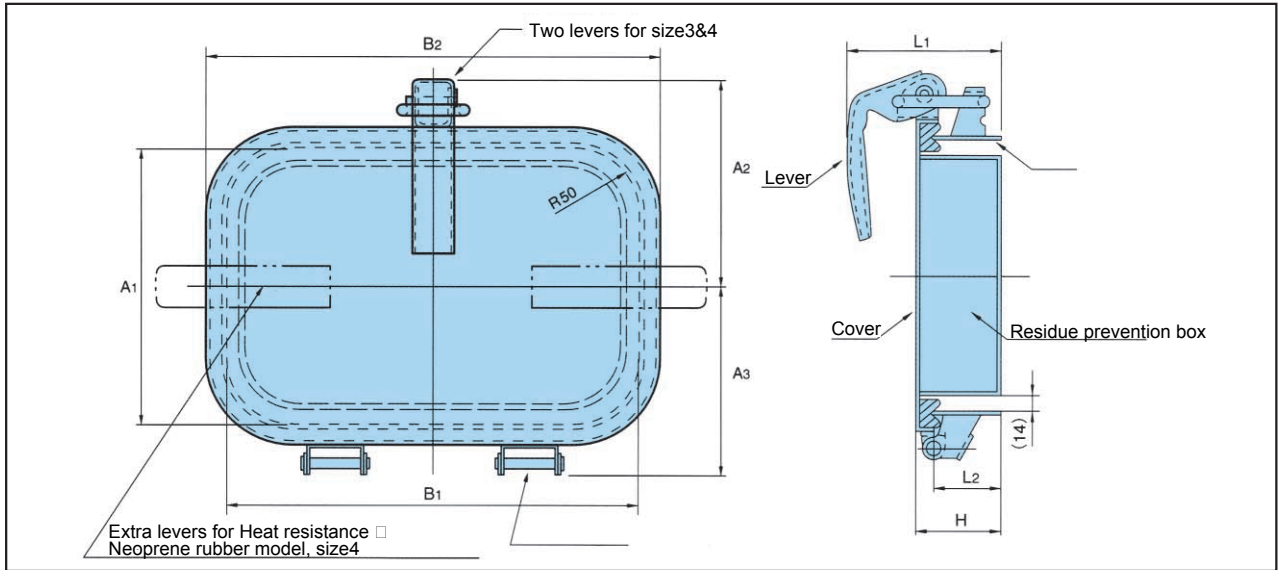
Model No.	Frame body		Cover				Lever			Weight (kg)
	A ₁	B ₁	A ₂	A ₃	B ₂	H	L ₁	L ₂	数	
CMD-P2-V (-P2-H-V)	200	300	151	139	333	65 (115)	121 (171)	48 (98)	1	5.1 (6.8)
CMD-P3-V (-P3-H-V)	350	500	226	214	533	65 (115)	121 (171)	48 (98)	2	11.2 (14.0)

※ () High-neck style

Levers and hinges of each model size



Residual Prevention Type

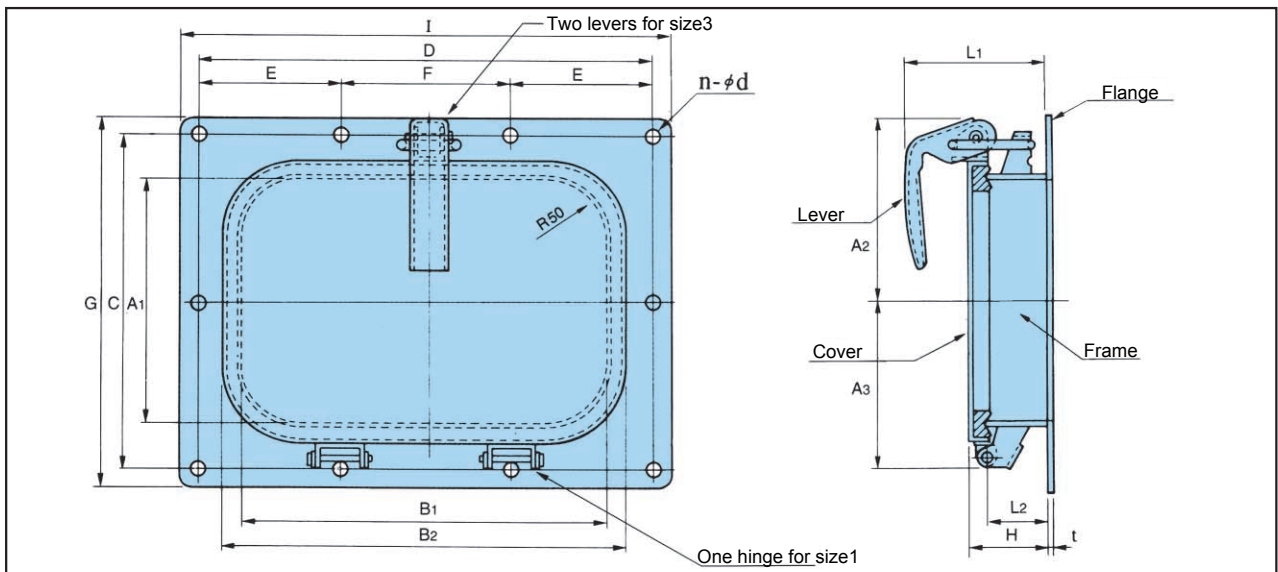


(mm)

Model No.	Frame body		Cover				Lever			Weight (kg)
	A ₁	B ₁	A ₂	A ₃	B ₂	H	L ₁	L ₂	数	
CMD-P1-B (-Q1-B) (-R1-B)	130	200	115	103	230	63	121	48	1	3.0
CMD-P2-B (-Q2-B) (-R2-B)	200	300	150	138	330	63	121	48	1	4.8
CMD-P3-B (-Q3-B) (-R3-B)	350	500	225	213	530	63	121	48	2	10.5
CMD-P4-B	500	600	300	288	630	88	146	73	2 (4)	19.3

※ () Only size 4 of Neoprene rubber model

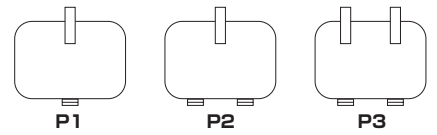
Flanged door type



(mm)

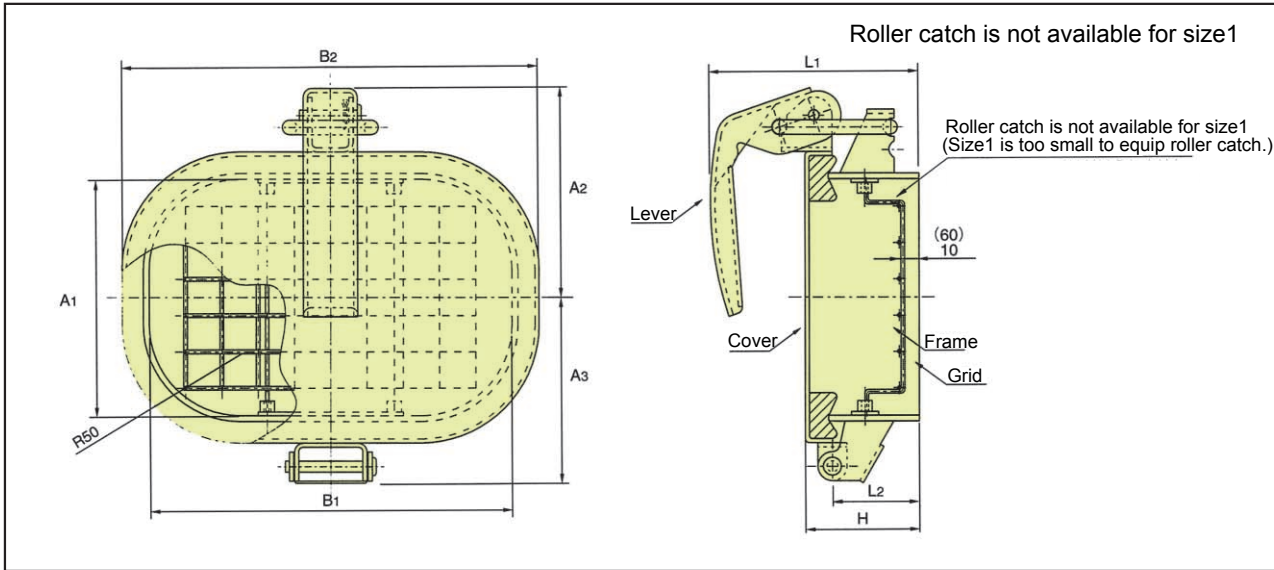
Model No.	Frame body		Cover				Lever			Flange							Weight (kg)		
	A ₁	B ₁	A ₂	A ₃	B ₂	H	L ₁	L ₂	数	C	D	E	F	G	I	t		n	d
CMD-P1-F	130	200	115	103	230	63	121	48	1	180	250	0	0	210	280	3.2	4	10	3.0
CMD-P2-F	200	300	150	138	330	63	121	48	1	2×135	370	115	140	300	400	3.2	10	12	5.0
CMD-P3-F	350	500	225	213	530	63	121	48	2	2×205	560	180	200	450	600	4.5	10	14	9.0

※ Not includ bolts, nuts and gaskets for fixing flange, but gasket for the cover



Specifications

Safty Grid Insert Without Roller Catch Fixing (1-G)

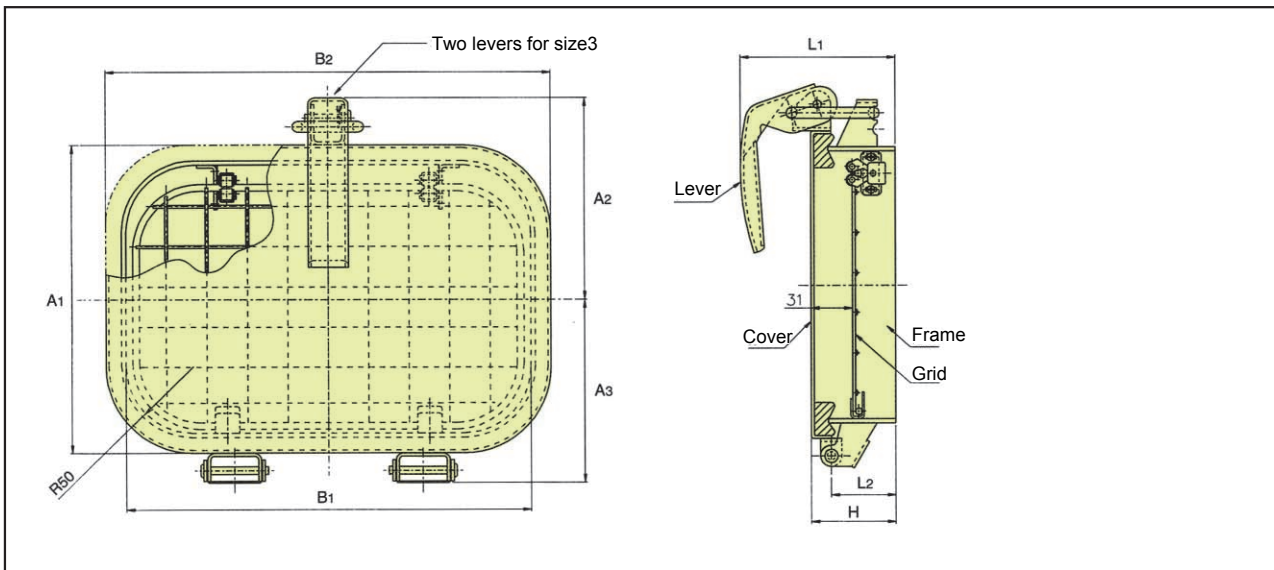


(mm)

Model No.	Frame body		Cover				Lever			Weight (kg)
	A ₁	B ₁	A ₂	A ₃	B ₂	H	L ₁	L ₂	数	
CMD-P1-G (-Q1-G) (-R1-G)	130	200	115	103	230	63 (113)	121 (171)	48 (98)	1	2.0 (2.7)

※ () High-neck style

Safty Grid Insert Roller Catch Fixing (2,3-G)

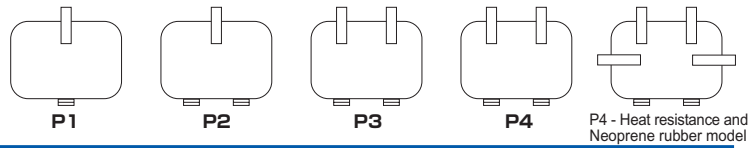


(mm)

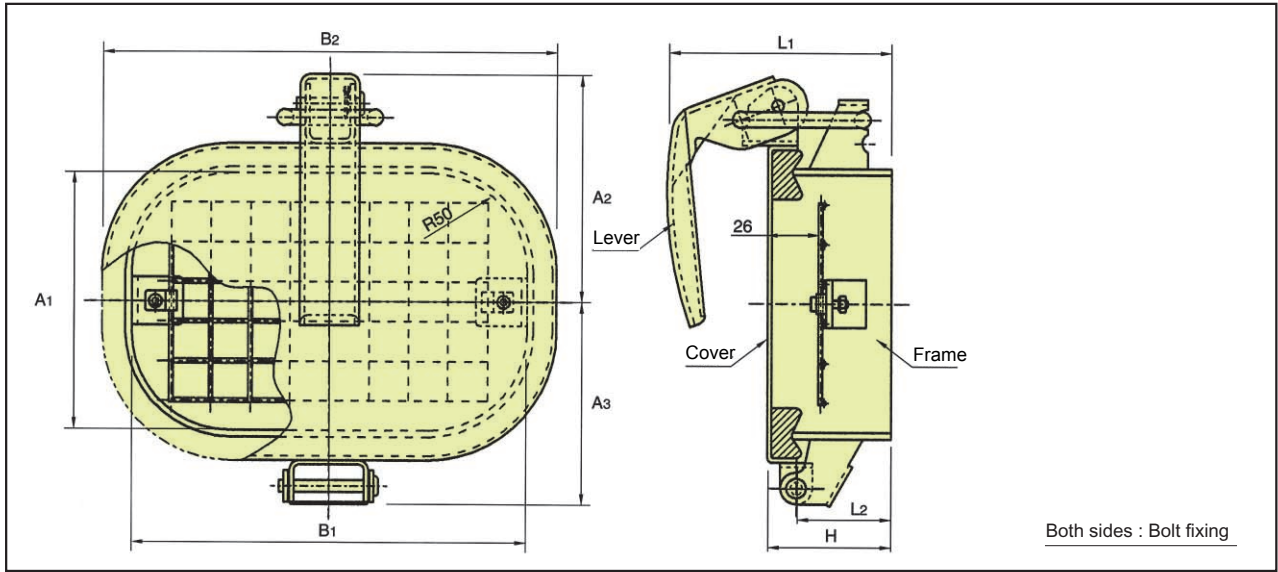
Model No.	Frame body		Cover				Lever			Weight (kg)
	A ₁	B ₁	A ₂	A ₃	B ₂	H	L ₁	L ₂	数	
CMD-P2-G (-Q2-G) (-R2-G)	200	300	150	138	330	63 (113)	121 (171)	48 (98)	1	3.3 (4.5)
CMD-P3-G (-Q3-G) (-R3-G)	350	500	225	213	530	63 (113)	121 (171)	48 (98)	2	6.6 (8.6)

※ () High-neck style

Levers and hinges of each model size



Safty Grid Insert Bolt Fixing (1-G)

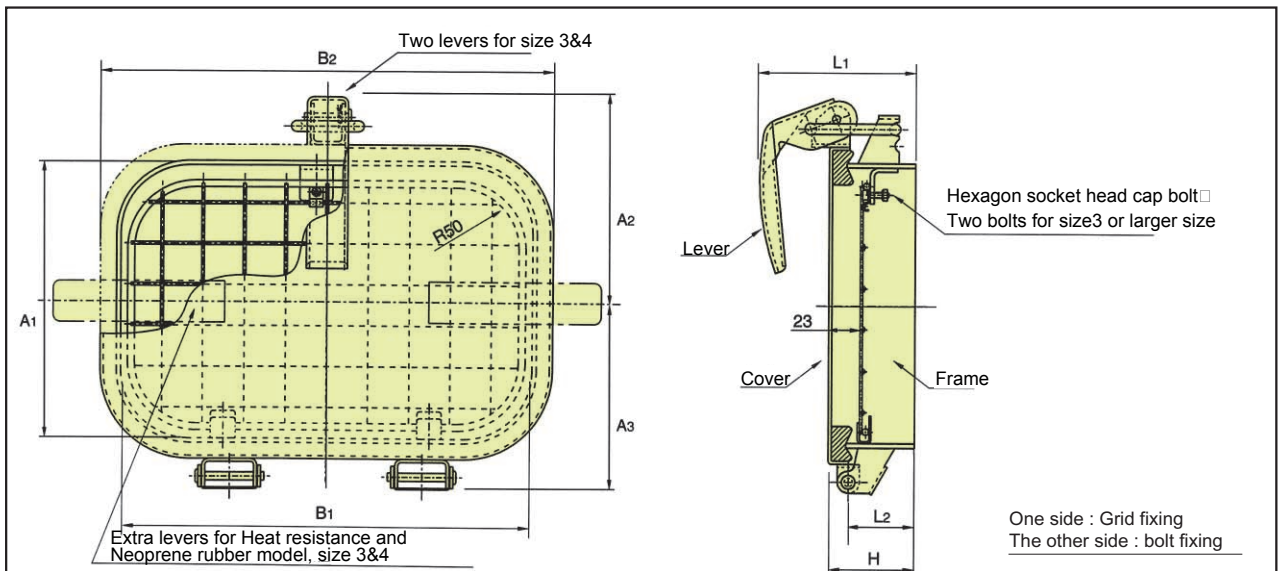


(mm)

Model No.	Frame body		Cover				Lever			Weight (kg)
	A ₁	B ₁	A ₂	A ₃	B ₂	H	L ₁	L ₂	数	
CMD-P1-GK (-Q1-GK) (-R1-GK)	130	200	115	103	230	63 (113)	121 (171)	48 (98)	1	2.0 (2.7)

※ () High-neck style

Safty Grid Insert Bolt Fixing (2,3&4-G)



(mm)

Model No.	Frame body		Cover				Lever			Weight (kg)
	A ₁	B ₁	A ₂	A ₃	B ₂	H	L ₁	L ₂	数	
CMD-P2-GK (-Q2-GK) (-R2-GK)	200	300	150	138	330	63 (113)	121 (171)	48 (98)	1	3.3 (4.5)
CMD-P3-GK (-Q3-GK) (-R3-GK)	350	500	225	213	530	63 (113)	121 (171)	48 (98)	2	6.6 (8.6)
CMD-P4-GK (-Q4-GK) (-R4-GK)	500	600	300	288	630	88 (113)	146 (171)	73 (98)	2 [4]	12.0 (13.4)

※ () High-neck style

※ [] Size 4 of Heat resistance and Neoprene rubber model

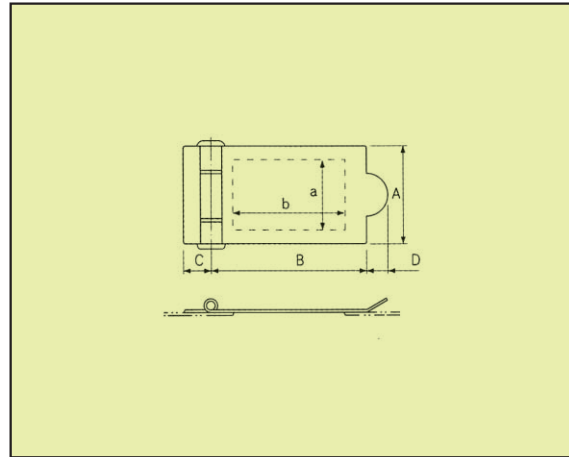
Other Inspection doors

Small size Inspection door

Installed on the cover of drive chain
Suitable for inspection and grease application to the drive chain

Model No.	a	b	A	B	C	D	Weight (kg)
CMD-S0	40	60	50	80	15	15	0.1
CMD-S1	50	80	70	110	20	20	0.2
CMD-S2	70	130	100	170	20	25	0.4

(mm)

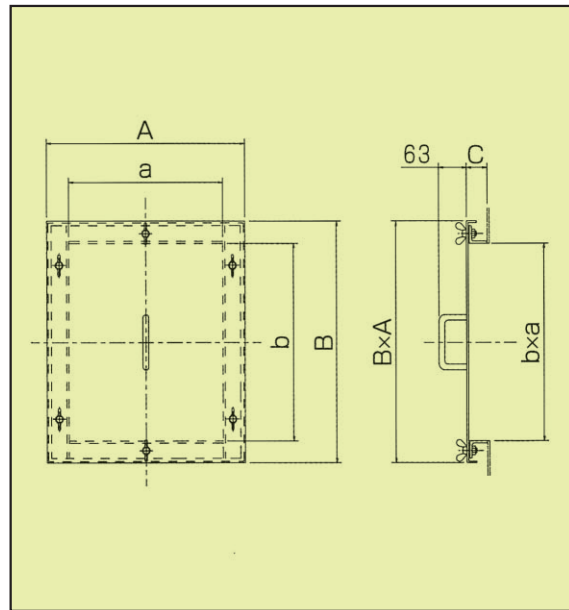


Middle size Inspection door

Fastened structure with wing bolts
Suitable for cleaning and inspection of the machine

Model No.	a	b	A	B	C	Weight (kg)
CMD-M0	100	200	180	280	35	2.0
CMD-M1	130	200	210	280	35	3.0
CMD-M2	200	300	280	380	35	5.0
CMD-M3	350	450	450	550	45	12.0
CMD-M4	400	600	500	700	45	16.0

(mm)



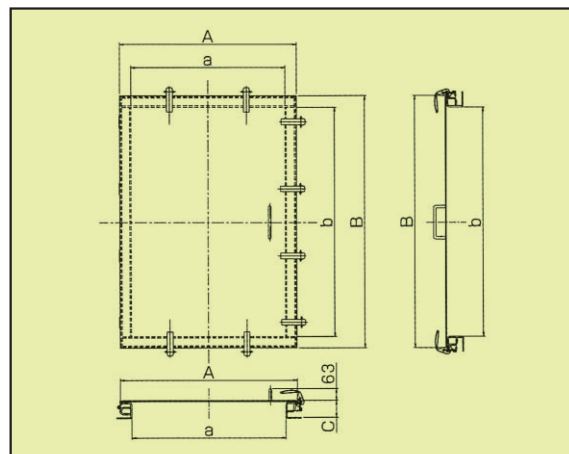
Large size Inspection door (Single door / Double door)

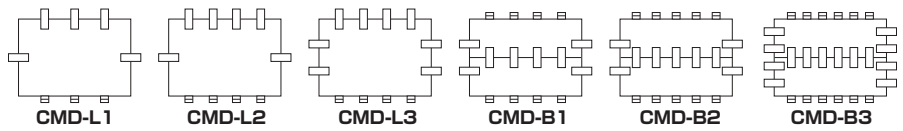
Used as a work access door for large equipments
One-touch lever allows for easy opening and closing

Single Door

Model No.	a	b	A	B	C	Lever	Weight (kg)
CMD-L1	500	750	620	870	85	3+2	29
CMD-L2	650	1000	770	1120	85	4+2	42
CMD-L3	800	1200	920	1320	85	4+4	55

(mm)

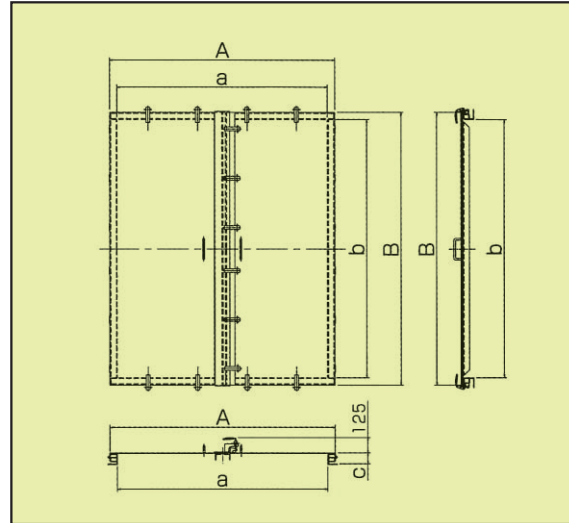




● Double Door

Model No.	a	b	A	B	C	Lever	Weight (kg)
CMD-B1	1000	1400	1120	1520	85	4+4	97
CMD-B2	1300	1700	1420	1820	85	5+4	137
CMD-B3	1700	2100	1820	2220	85	6+8	195

B side ↑



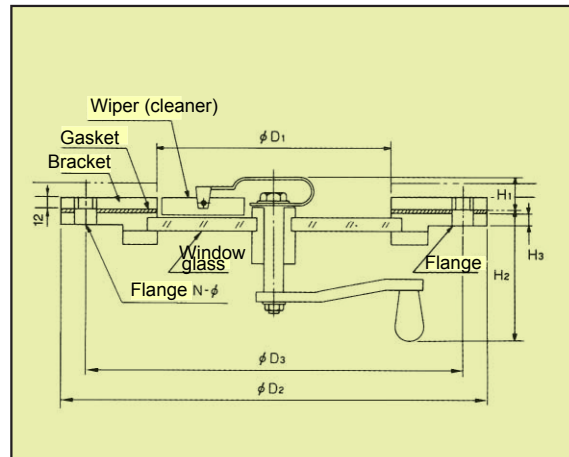
■ Transparent windowed door with wiper (cleaner)

Used for monitoring the flow and existing quantity of materials in conveyors and hoppers.
 This door has a manual rotary controlled wiper to remove material build up, residue and condensation from the window.
 Standard and corrosion proof types are available.

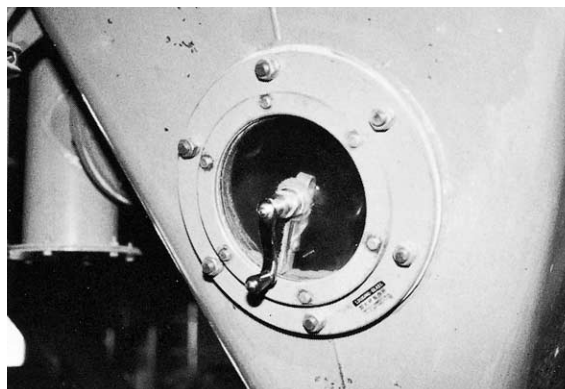
Materials of the transparent window : Tempered glass
 Withstanding pressure : 29kPa (0.3kgf/cm²)

Model No.	φD ₁	φD ₂	φD ₃	Bolts with flanges		H ₁	H ₂	H ₃	Weight (kg)
				N-φ	Bolts				
CMD-C130	118	228	196	6-14	M12	15	90	14	6.5
CMD-C180	168	288	252	6-14	M12	15	90	14	8.9
CMD-C300	286	400	370	8-15	M12	23	110	16	15.1

Brackets are not included ↑



(Brackets, bolts and gaskets are optional items)



Transparent windowed door with wiper (cleaner)

PRODUCT INFORMATION

TSUBAKI SPEED SWITCH **M800**

[Industrial property patent No. 3014666]

Speed deduction detector **SPEED SWITCH**

It monitors the lowering of frequency at two points

- Easy installation
- Detecting an existing metal target
- Compact and light
- Maintenance-free



Use

It detects breakage or chain, belt or shaft, and bolt slip
Bucket elevator, Chain conveyor, Belt conveyor, Screw conveyor
Crusher, Blender, Blower, Pump, Rotary feeder, and other machines

Features

1. The unit requires no contact with the shaft and the materials
2. Speed range : 10 to 3600 ppm
3. Dry contact is applied for output signal
4. Dust-proof and watertight
5. An auxiliary pulse output is provided to feed suitable speed indicators



TSUBAKIMOTO BULK SYSTEMS CORP.

HEAD OFFICE Ryokuchi Eki Bldg. 7th Floor, 4-1, Terauchi 2-Chome,
Toyonaka-shi, Osaka 561-0872, Japan

TEL+81-6-6862-2329 FAX+81-6-6862-8516

TOKYO OFFICE Tâç| Úà b à-Pà à Bldg 4th Fl., 1*0 Ft^j|q|*el , 2-Chome
Chiyoda-ku, Tokyo 101-0032, Japan

TEL+81-3-6731-5111 FAX+81-3-6731-5119

OSAKA OFFICE Ryokuchi Eki Bldg. 7th Floor, 4-1, Terauchi 2-Chome,
Toyonaka-shi, Osaka 561-0872, Japan

TEL+81-6-6862-2329 FAX+81-6-6862-8516

<http://tsubakimoto.com/tbs/>

■Note :

In accordance with the policy of TSUBAKIMOTO BULK SYSTEMS CORP. to constantly improve its products, the specifications in this catalogue are subject to change without notice. Please make sure to enquire us when you plan pertinent installations.

© TSUBAKIMOTO BULK SYSTEMS CORP. holds copyright on this catalogue. All rights reserved.

Distributed by