

Product : Cat.6A RJ45 Shielded Large Diameter Pass-Through Modular Plug

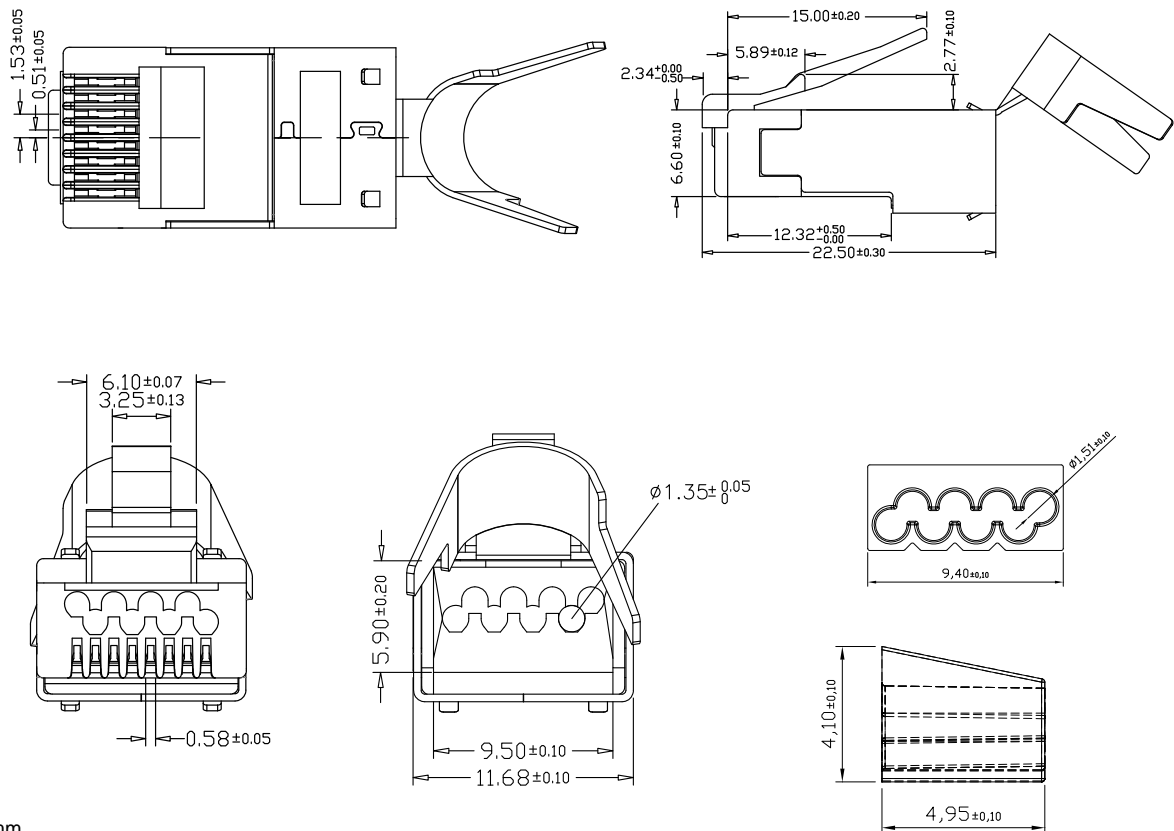
SKU : MPU036A88MT

Description: Cat.6A/Shielded/Pass-Through Large Diameter RJ45 8p8c Modular Plug ◦ Suitable for Cat.6A solid/stranded Ethernet Cable 23~26AWG(O.D. 7.0~8.3mm) Support compliant backwards Cat.5e and Cat.6 Cables ◦ Reducing the mistake from installation effectively with the end-pass-through design ◦ The surface of pins 50μ gold-plated which improve transmission rate effectively and prevent metal oxidation ◦ Material of Plug is compliant with UL 94V-0 flame-Retardant Thermoplastics grade and RoHS/REACH standard ◦ Support PoE type IV (IEEE 802.3af/at/bt) 4PPoE transmission up to 100W ◦

Color : Metal

Features : Modular plug can insert/unplug up to 2000 times. Operation temperature-40c to 60c. Cat. 6A transmission data rate is compliant with ANSI/TIA568 .2-D standard.

Picture



Unit: mm