

Product : Cat.6A RJ45 Shielded End-pass-through Modular Plug

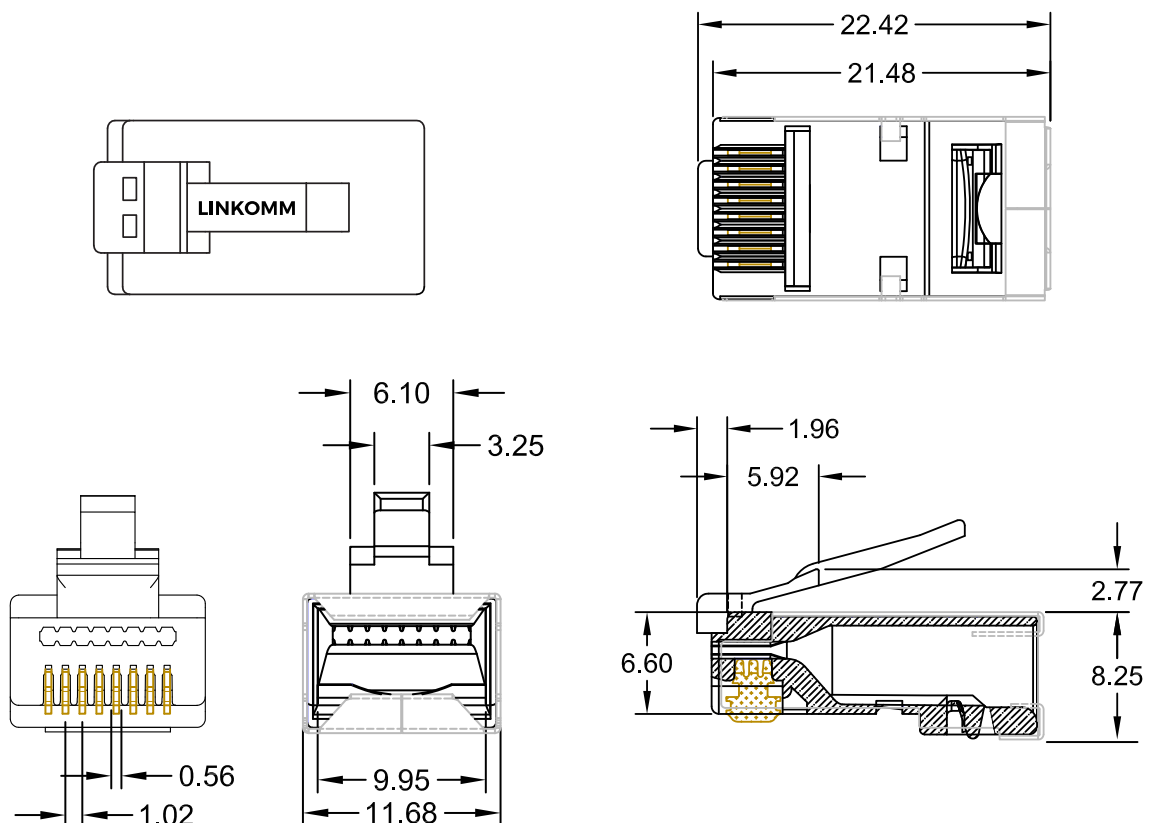
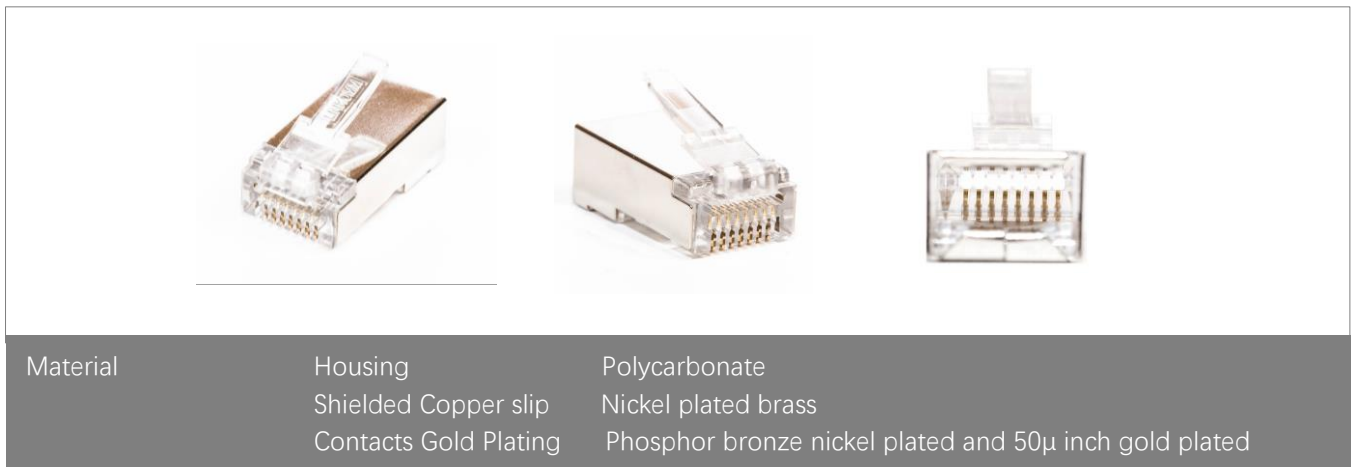
SKU : MPU026A88MT

Description: Cat.6A Shielded RJ45 8p8c Modular Plug ° Suitable for Cat.6A stranded Ethernet Cable 24~26AWG(O.D. 4.5~6.5mm) Support compliant backwards Cat.5e and Cat.6 Cables ° Reducing the mistake from installation effectively with the end-pass-through design ° The surface of pins 50μ gold-plated which improve transmission rate effectively and prevent metal oxidation ° Material of Plug is compliant with UL 94V-0 flame-Retardant Thermoplastics grade and RoHS/REACH standard ° Support PoE type IV (IEEE 802.3af/at/bt) 4PPoE transmission up to 100W °

Color : Metal

Features : Modular plug can insert/unplug up to 2000 times. Operation temperature-40c to 60c. Cat. 6A transmission data rate is compliant with ANSI/TIA568 .2-D standard.

Picture



Unit: mm