

Product : Cat.5E RJ45 Pass-Through Modular Plug

SKU : MPU025E88TR

Description: Cat.5/Unshielded RJ45 8p8c Modular Plug ◦ Suitable for Cat.6 Ethernet Cable 23~26AWG(O.D. 4.5~6.5mm) ◦ The surface of pins 50μ gold-plated which improve transmission rate effectively and prevent metal oxidation ◦ Reducing the mistake from installation effectively with the end-pass-through design ◦ Material of Plug is compliant with UL 94V-0 flame-Retardant Thermoplastics grade and RoHS/REACH standard ◦ Support PoE type IV (IEEE 802.3af/at/bt) 4PPoE transmission up to 100W ◦

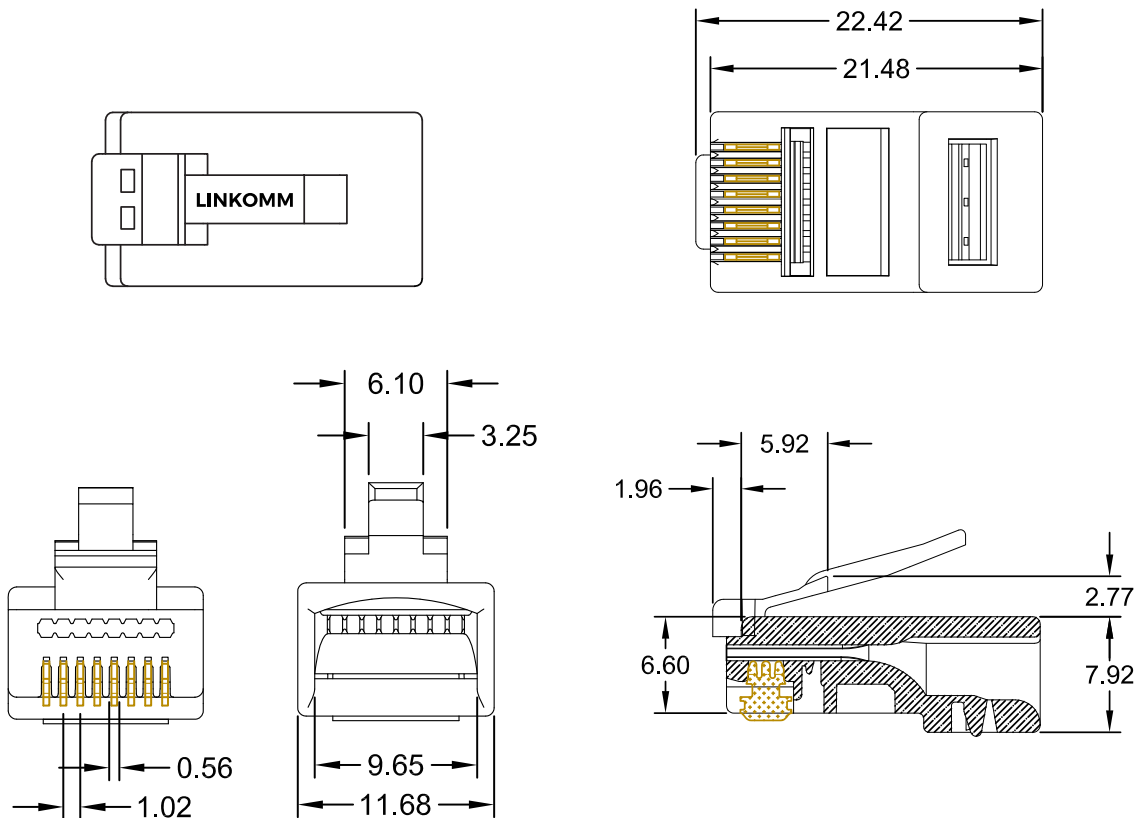
Color : Transparent

Features : Modular plug can insert/unplug up to 2000 times. Operation temperature-40c to 60c. Cat. 5e transmission data rate is compliant with ANSI/TIA568 .2-D standard.

Picture



Material	Housing	Polycarbonate
	Contacts Gold Plating	Phosphor bronze nickel plated and 50μ inch gold plated



Unit: mm