

Product : Cat.6A RJ45 Shielded Modular Plug

SKU : MPS016A88MT

Description: Cat.6A Shielded RJ45 8p8c Two Pieces Modular Plug With the pass through wire management bar ◦ Suitable for Cat.6A stranded cables 24~26AWG ◦ Cable O.D. 4.5 ~6.5mm ◦ Support compliant backwards Cat.5e and Cat.6 Cables ◦ The surface of pins 50μ gold-plated which improve transmission rate effectively and prevent metal oxidation ◦ Material of Plug is compliant with UL 94V-0 flame-Retardant Thermoplastics grade and RoHS/REACH standard ◦ Support PoE type IV (IEEE 802.3af/at/bt) 4PPoE transmission up to 100W ◦

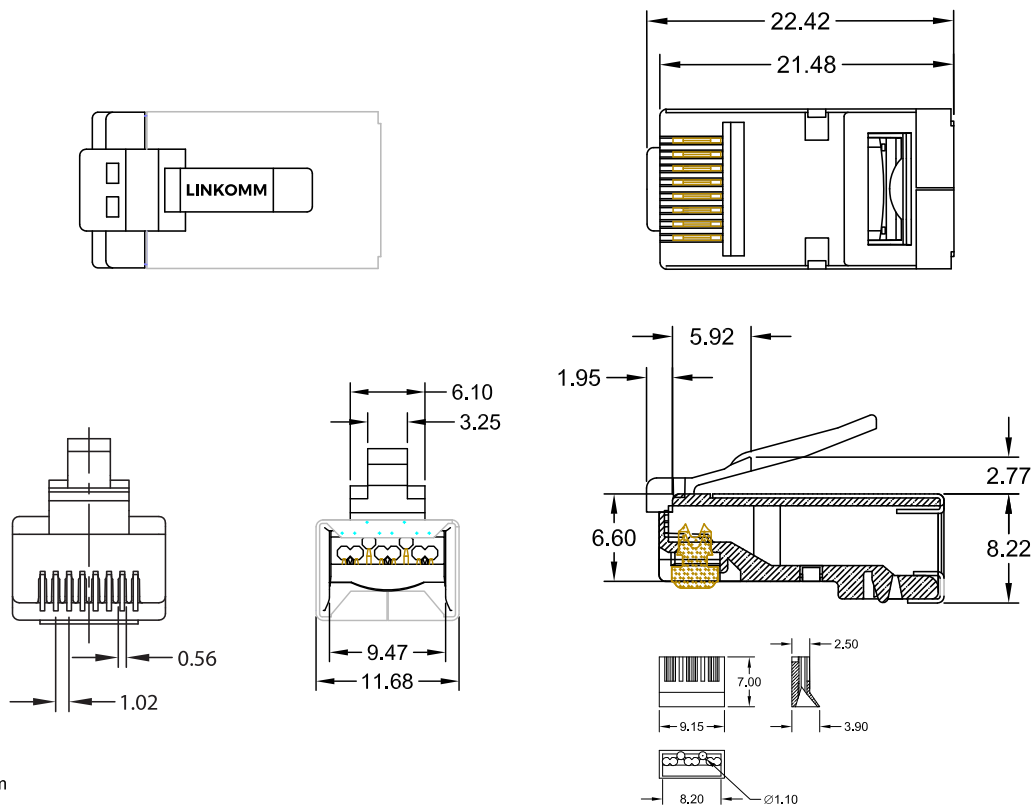
Color : Metal

Features : Modular plug can insert/unplug up to 2000 times. Operation temperature -40c to 60c. Cat. 6A transmission data rate is compliant with ANSI/TIA568 .2-D standard.

Picture



Material	Housing	Polycarbonate
	Shielded Copper slip	Nickel plated brass
	Contacts Gold Plating	Phosphor bronze nickel plated and 50μ inch gold plated



Unit: mm