

Product : Cat.6 RJ45 Modular Plug

SKU : MPU01C688TR

Description: Cat.6/Unshielded RJ45 8p8c Modular Plug ◦ Suitable for Cat.6 Ethernet Cable 23~26AWG(O.D. 4.5~6.5mm) ◦ The surface of pins 50μ gold-plated which improve transmission rat effectively and prevent metal oxidation ◦ Material of Plug is compliant with UL 94V-0 flame-Retardant Thermoplastics grade and RoHS/REACH standard ◦ Support PoE type IV (IEEE 802.3af/at/bt) 4PPoE transmission up to 100W ◦

Color : Transparent

Features : Modular plug can insert/unplug up to 2000 times. Operation temperature-40c to 60c. Cat. 6 transmission data rate is compliant with ANSI/TIA568 .2-D standard.

Picture



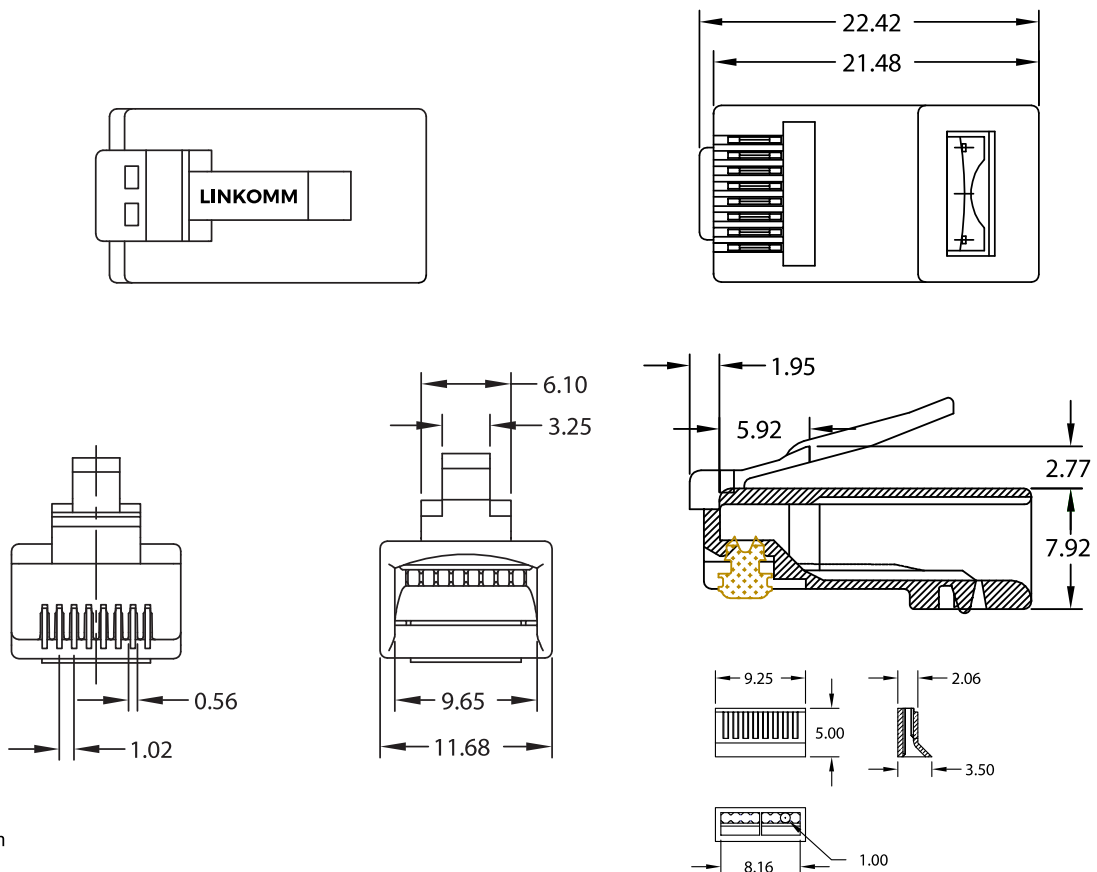
Material

Housing

Polycarbonate

Contacts Gold Plating

Phosphor bronze nickel plated and 50μ inch gold plated



Unit: mm