

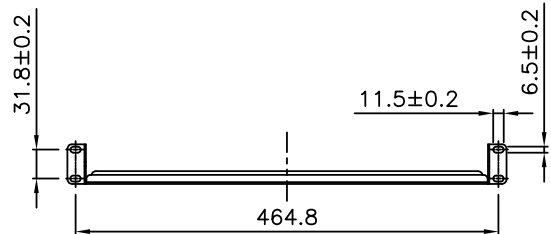
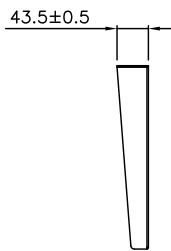
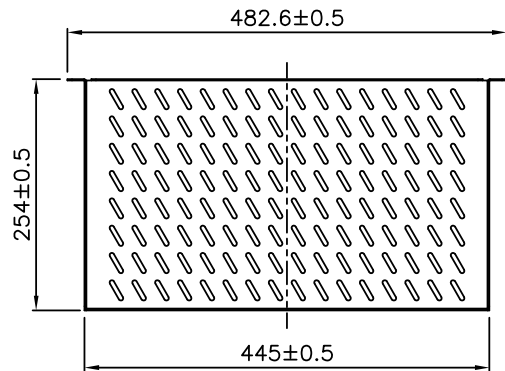
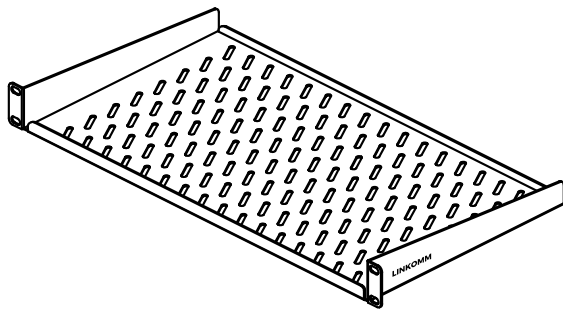
Product : 1U 19" Vented Cantilever Fixed Shelf

SKU : CM04BK

Description: Storing network devices and other equipment ° Vents design helps heat dissipation from the cabinet °

Color : Black

Picture



Unit: mm