

Product : Cat.8 40G S/FTP Double Shielded Solid Ethernet Patch Cord 22AWG

SKU : S22AC8

Description: Cat.8/Double Shielded RJ45 Ethernet Patch Cord 8p8c 22AWG(O.D. 0.64mm)。Ethernet Cable are made of pure copper, supporting up to 40GMbps and 2000MHz within 30 meters of cable。Suitable for any kind of devices with RJ45: Router, Switch, Laptop, Desktop, Monitor...etc。LINKOMM Patch Cord/Cable all pass Fluke Channel tested standard before leaving the factory。Compliant with GHMT and EN50173-1 Standard。Cable pass fire resistance tested UL 444 CM grade。Compliant with ANSI/TIA568.2 -D Cat.6 Standard。Support the transmission of 4K、8K High-definition video and Hi-Res Audio。Each pair of pure copper core wires is isolated by a single pair of aluminum foil, and then braided mesh is used for the second isolation, which can effectively resist the interference source。Different from the traditional modular plugs design, the plugs at both ends have built-in PCB (printed circuit boards) to ensure good conduction characteristics。The material of the wire jacket is LSOH, which meets the flame-retarding test IEC 60332-1, the acid gas test IEC 60754-1 and 60754-2, and the smoke exhaust test IEC 61034-2。Material of insulation is compliant with RoHS/REACH standard. Support PoE type IV (IEEE 802.3af/at/bt) 4PPoE transmission up to 100W

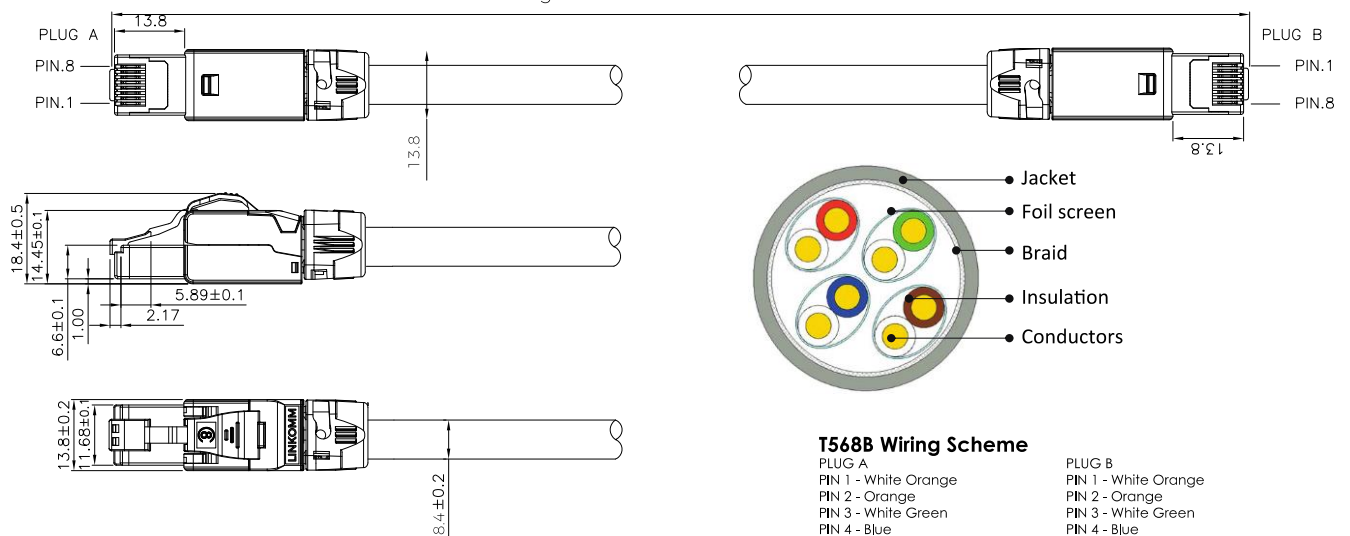
Color : Grey

Features : Modular plug can insert/unplug more than 750 times (ISO/IEC 11801, IEC 60603-7-4)。IDC provides wire bonding about 20 times (IEC 60603-7-5)。Operation temperature -10c to 75c compliant with ISO/IEC 11801-1。Cat. 8 transmission data rate is compliant with ANSI/TIA568 .2-D standard。Resistance to Tension up to 50 N (newton) in 60 seconds。



Material	Conductors	22AWG Oxygen-Free pure bare Copper(0.64mm)
	Insulation	Foam PE (1.68mm)
	Jacket	LSOH (thickness 0.65mm )
	Cable O.D.	8.4±0.2mm
	Length	1~30M

Length available: 1m to 30m



Unit:mm