

Product : RJ45 Cat.8 STP Tool-free Shielded Keystone Jack

SKU : KJS036A88MT

Description: 90° Keystone Jack Cat.6A/Unshielded RJ45 8p8c。 Suitable for 23~26AWG Ethernet Cables and any kinds of terminal surface mount box, faceplates and IDC patch panels。 IDC terminal supports 110 and Krone Punch Down Tool, and termination tools (TLPD04)。 Contacts pins with 50 micro-inch gold plating on surface can make transmission more effectively and prevent metal oxidizing。 Color coded for TIA 568A and 568B standards。 With the crimp cap, the core wire won't shift. The shell provides grounding function。

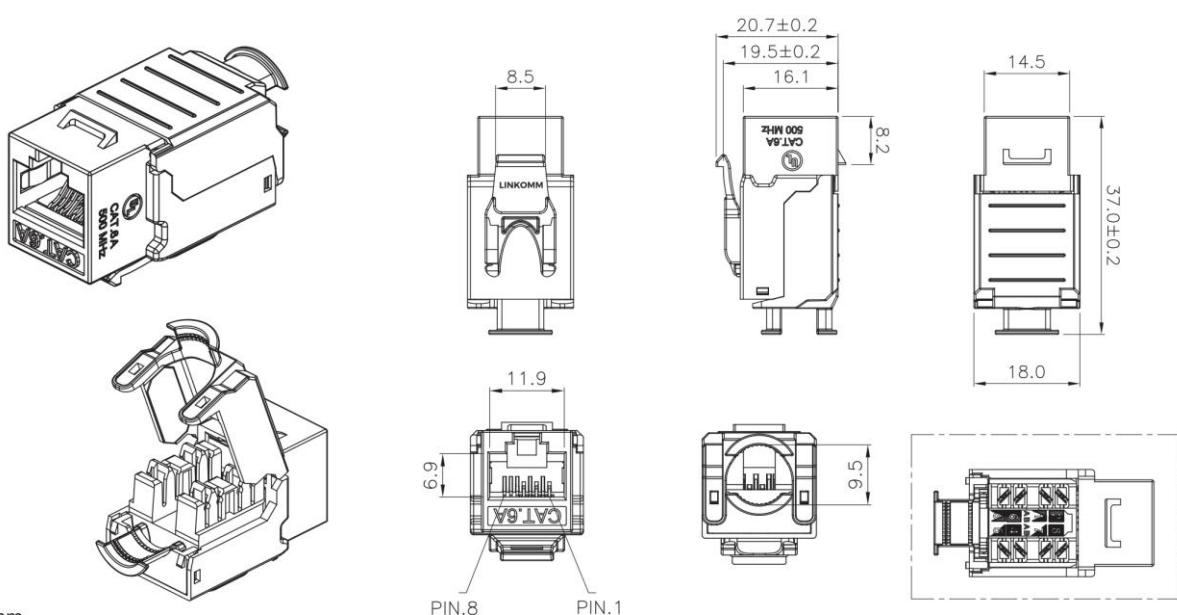
Color : Metal

Features : Modular plug can insert/unplug more than 750 times (ISO/IEC 11801, IEC 60603-7-5)。 IDC provides wire bonding about 20 times (IEC 60603-7-5)。 Operation temperature-10c to 60c is compliant with ISO/IEC 11801-1, ANSI/TIA 568.2-D。 Cat. 6A transmission data rate is compliant with ANSI/TIA568 .2-D standard

Picture



Material	Housing	Zinc Die-Casting with Nickel plated
	Contacts Bracket	PBT with Glass Fiber, UL 94V-0
	8Pins	Phosphor bronze nickel plated and 50μ inch pure gold
	IDC Housing	PC+ Glass Fiber, UL 94V-2
	IDC Blade	Phosphor bronze tinned
	IDC Cap	Zinc Die-Casting with Nickel plated
	IDC Terminal	ABS, UL94-0
	PCB	FR4, UL94-0



Unit:mm