

Product : Cat.6A 10G Double Shielded S/FTP Solid Ethernet Patch Cord 23AWG 40~100M

SKU : S23A6A

Description: Cat.6A/Double Shielded Ethernet Patch Cord RJ45 8p8c 23AWG(O.D. 7.3mm±0.2mm) ° Ethernet Cable are made of pure copper, supporting up to 10Gbps and 500MHz within 100 meters of cable ° Suitable for any kind of devices with RJ45: Router, Switch, Laptop, Desktop, Monitor...etc. ° LINKOMM Patch Cord/Cable all pass Fluke Channel tested standard before leaving the factory ° Compliant with GHMT and EN50173-1 Standard ° Cable pass fire resistance tested UL 444 CM grade ° Compliant with ANSI/TIA568.2 -D Cat.6 Standard ° Each pair of pure copper core wires is isolated by a single pair of aluminum foil, and then braided mesh is used for the second isolation, which can effectively resist the interference source ° Different from the traditional modular plugs design, the plugs at both ends have built-in PCB (printed circuit boards) to ensure good conduction characteristics ° Material of insulation is compliant with RoHS/REACH standard. Support PoE type IV (IEEE 802.3af/at/bt) 4PPoE transmission up to 100W °

Color : White、Blue

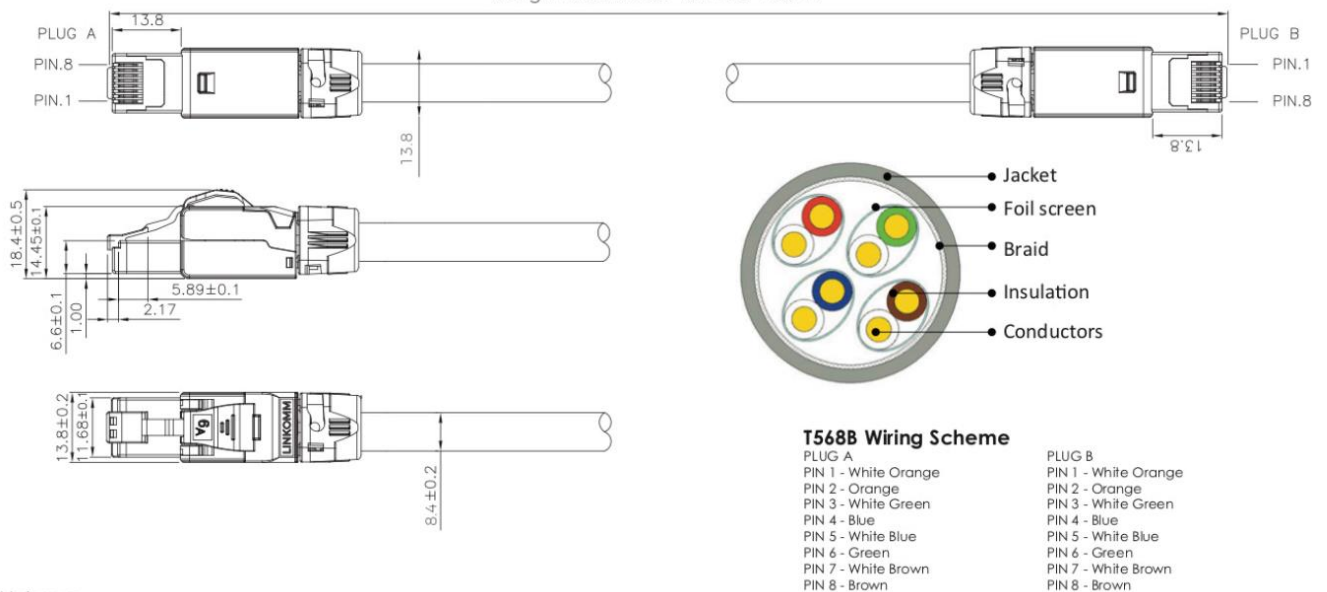
Features : Modular plug can insert/unplug more than 750 times (ISO/IEC 11801, IEC 60603-7-4) ° IDC provides wire bonding about 20 times (IEC 60603-7-5). Operation temperature-10c to 75c compliant with ISO/IEC 11801-1. Cat. 6 transmission data rate is compliant with ANSI/TIA568 .2-D standard. Resistance to Tension up to 50 N (newton) in 60 seconds.

Picture



Material	Conductors	23AWG Oxygen-Free pure bare Copper(0.555mm)
	Insulation	Foam PE (1.33mm)
	Jacket	LSOH (thickness 0.55mm)
	Cable O.D.	7.3±0.2mm
	Length	40~100M

Length available: 40m to 100m



Unit:mm