

Product : 10" RJ45 Cat.6 UTP 12-Port Wall-Mount Patch Panel

SKU : PPU0312C6BK

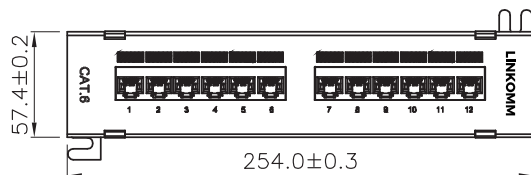
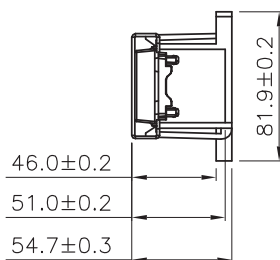
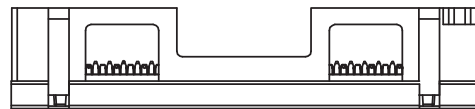
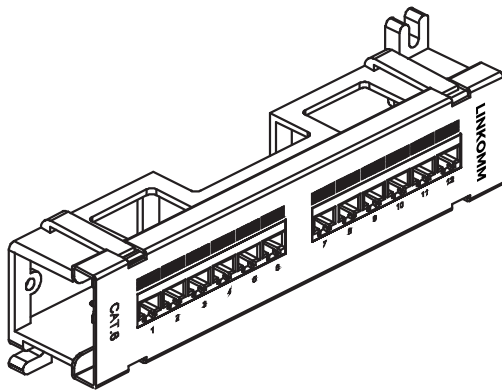
Description: Cat.6/Unshielded UTP RJ45 8p8c 24port 19" Patch Panel ◦ Suitable for Cat.6 Ethernet cable 23~26AWG, cable OD 5.0~8.5 mm ◦ Easy to upgrade with standard snap-in keystone jacks for data, voice, video, or fiber optic connections ◦ Rear cable support bar prevent cables from over-bending ◦ Including cable ties for a nice and clean cable management ◦ Gold plated contacts for the best data transmissions, and 1.5mm thick black coated SPCC steel for heavy duty uses ◦ 568A and 568B wiring color-coded label for quick reference; pointed termination IDC for fast wire separating ◦ Support PoE type IV ( IEEE 802.3af/at/bt ) 4PPoE transmission up to 100W.

Color : Black

Features : Modular plug can insert/unplug more than 750 times (ISO/IEC 11801, IEC 60603-7-5) 。 IDC provides wire bonding about 20 times (IEC 60603-7-5)。 Operation temperature -10c to 60c is compliant with ISO/IEC 11801-1, ANSI/TIA 568.2-D。 Cat. 6 transmission data rate is compliant with ANSI/TIA568 .2-D and UL 1863 standard 。 Material of patch panel is compliant with RoHS/REACH standard。

Picture :

	Material	L 482.6 x W 43.6 mm x H 92.7 mm
		Panel: SPCC, 1.5mm thickness with black color painted
		Jack Housing: ABS+PC, UL 94V-0
		With wall mounted frame and screws
		IDC Blade: Phosphor bronze tinned



Unit: mm