

Product : RJ45 Cat.6 UTP Unshielded Keystone Jack with Shutter Dust Cover

SKU : KJU02C688WH

Description: 180° Tool-Free installation Cat.6/Unshielded RJ45 8p8c. Suitable for 23~26AWG Ethernet Cables and any kinds of terminal surface mount box, faceplates and IDC patch panels. The installation of tool-free is more easier and faster. With a built-in dust cover. Contacts pins with 50 micro-inch gold plating on surface can make transmission more effectively and prevent metal oxidizing. Color coded for TIA 568A and 568B standards.

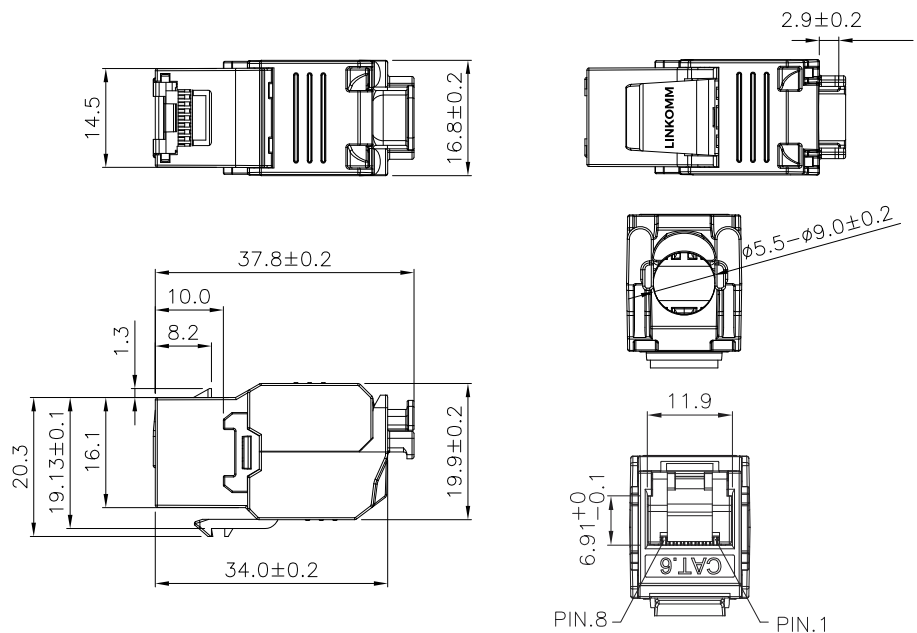
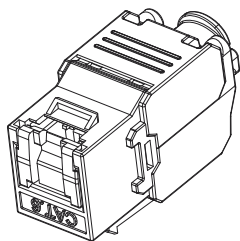
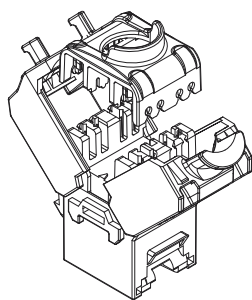
Color : White

Features : Modular plug can insert/unplug more than 750 times (ISO/IEC 11801, IEC 60603-7-4) 。 IDC provides wire bonding about 20 times (IEC 60603-7-5)。 Operation temperature-10c to 60c is compliant with ISO/IEC 11801-1, ANSI/TIA 568.2-D。 Cat. 6A transmission data rate is compliant with ANSI/TIA568 .2-D standard

Picture



Material	Housing	ABS+PC, UL 94V-0
	Contacts Bracket	PC, UL 94V-2 8PI
	8Pins	Phosphor bronze nickel plated and 50μ inch pure gold
	IDC Housing	PC, UL 94-V2
	IDC Blade	Phosphor bronze tinned
	IDC Cap	PC, UL 94-V2
	PCB	FR4, UL94-0



Unit:mm