

Product : RJ45 Cat.6 Slim Profile UTP Unshielded Keystone Jack

SKU : KJU01C688

Description: 90°Keystone Jack Cat.6/Unshielded RJ45 8p8c。Suitable for 23~26AWG Ethernet Cables and any kinds of terminal surface mount box, faceplates and IDC patch panels。IDC terminal supports 110 and Krone Punch Down Tool, and termination tools (TLPD04)。Contacts pins with 50 micro-inch gold plating on surface can make transmission more effectively and prevent metal oxidizing。Color coded for TIA 568A and 568B standards。Small size of Keystone Jack is easier installing on 6 ports faceplate or patch panels。

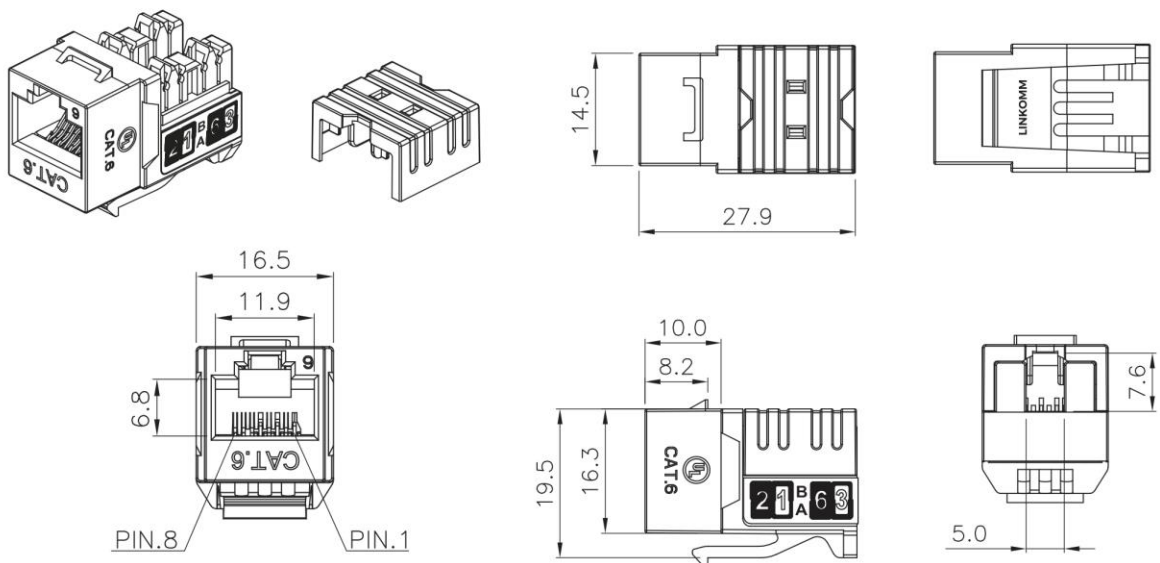
Color : White、Black、Blue、Orange、Yellow

Features : Modular plug can insert/unplug more than 750 times (ISO/IEC 11801, IEC 60603-7-4)。IDC provides wire bonding about 20 times (IEC 60603-7-5)。Operation temperature-10c to 60c compliant with ISO/IEC 11801-1, ANSI/TIA 568.2-D。Cat. 6 transmission data rate is compliant with ANSI/TIA568.2-D standard

Picture



Material	Housing	ABS+PC, UL 94V-0
	Contacts Bracket	PBT+ Glass Fiber, UL 94V-0 8PI
	8Pins	Phosphor bronze nickel plated and 50μ inch pure gold
	IDC Housing	PC+ Glass Fiber, UL 94V-2
	IDC Blade	Phosphor bronze tinned
	IDC Cap	ABS, UL 94-HB
	IDC Terminal	ABS, UL94-0 PCB
	PCB	FR4, UL94-0



Unit:mm