

Product : Cat.6 1G U/UTP Stranded Ethernet Molded Boot Patch Cord

SKU : MU24AC6

Description: Cat.6/Unshielded RJ45 Ethernet Patch Cord 8p8c 24AWG(O.D. 5.4mm±0.2mm)。Ethernet Cable are made of pure copper, supporting up to 1GMbps and 250MHz within 10 meters of cable。Suitable for any kind of devices with RJ45: Router、Switch、Laptop、Desktop、Monitor...etc.。LINKOMM Patch Cord/Cable all pass Fluke Channel tested standard before leaving the factory。Compliant with ANSI/TIA568.2 -D Cat.6 Standard。With Cross skeleton structure, four pair of twisted conductors can effectively keep away from interference by electromagnetic wave。Two connector with 50μ gold plated on contacts area resist corrosion and provide the stable transmission signal for a long time。Material of insulation is compliant with RoHS/REACH standard。Support PoE type IV (IEEE 802.3af/at/bt) 4PPoE transmission up to 100W。

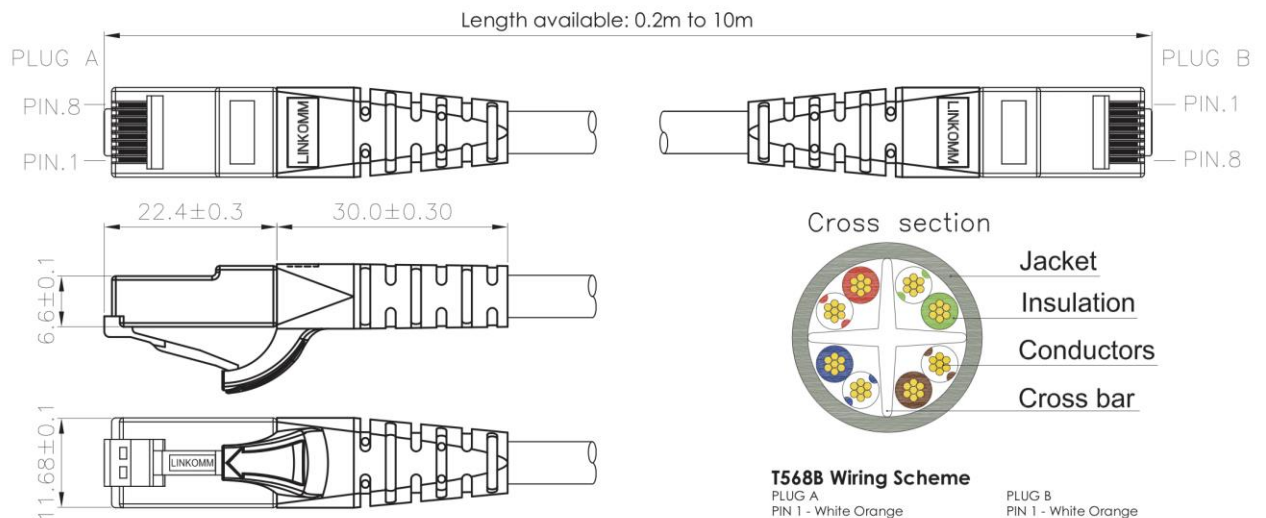
Color : Gray(off-white)

Features : Modular plug can insert/unplug more than 750 times (ISO/IEC 11801, IEC 60603-7-4) 。IDC provides wire bonding about 20 times (IEC 60603-7-5)。Operation temperature-10c to 75c compliant with ISO/IEC 11801-1。Cat. 6 transmission data rate is compliant with ANSI/TIA568 .2-D standard。Resistance to Tension up to 50 N (newton) in 60 seconds

Picture



Material	Conductors	24AWG Oxygen-Free pure bare Copper (7 x 0.192mm)
	Insulation	HDPE (0.98mm)
	Jacket	PVC (thickness 0.5mm )
	Cable O.D.	5.4±0.2mm
	Length	0.2~10M



**T568B Wiring Scheme**

- |                      |                      |
|----------------------|----------------------|
| PLUG A               | PLUG B               |
| PIN 1 - White Orange | PIN 1 - White Orange |
| PIN 2 - Orange       | PIN 2 - Orange       |
| PIN 3 - White Green  | PIN 3 - White Green  |
| PIN 4 - Blue         | PIN 4 - Blue         |
| PIN 5 - White Blue   | PIN 5 - White Blue   |
| PIN 6 - Green        | PIN 6 - Green        |
| PIN 7 - White Brown  | PIN 7 - White Brown  |
| PIN 8 - Brown        | PIN 8 - Brown        |

Unit:mm