

Model : _____
Name : _____
Project Name : _____
Project Area : _____
Project Item : _____



Cooking and Ovens - Professional microwave oven -
Professional microwave oven

Model: MICRO-1025

Reference	19066897
Capacity (liters)	25
Power (W)	1000
Description	Single magnetron
Total measurements (mm)	515 x 431 x 311
Chamber dimensions (mm)	327 x 346 x 200

General features

- The new range of edenox microwave ovens can cook basically anything from bread to meat, defrost or quickly heat any type of food you want. They heat and cook small portions of food quickly and are more powerful and resistant than domestic microwave ovens and designed under the regulations of professional use equipment.
- The differences with respect to domestic microwaves are that the cooking system is of greater power located in the upper and lower part of the microwave, with greater capacity, cooking memories and keypad for the usual menus. Self diagnosis and 3 power levels.
- Due to its professional use, durability is ensured by its stainless steel finishes, easy to clean without any corners, and with components ready to be used hundreds of times a day. Regardless of the cooking time or power used.
- The locking system is tested to ensure high daily use cycles, as well as the internal lighting system. Durability is guaranteed.
- All chamber components in stainless steel.
- Ergonomic handle, which enhances the microwave design.
- Touch" control panel with led display, three power levels.
- External glass to visualize the product.
- Air filter. (model 1834)
- Stainless steel chamber.
- The 34 liters model allows the microwaves to be reassembled.

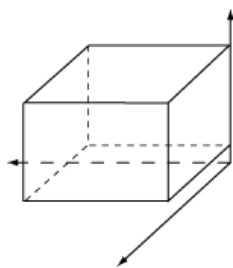


ELECTRICITY TECHNICAL SPECIFICATIONS

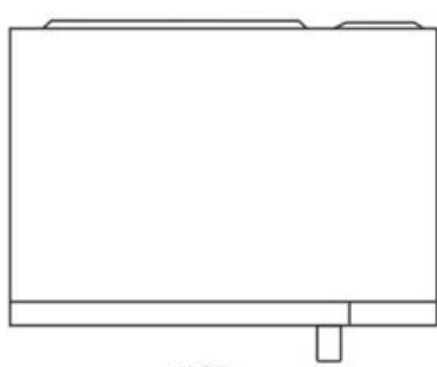
Electric frequency:	50Hz
Electric power (KW):	1.550
Phases:	1N
Voltage:	230V

PRODUCT SPECIFICATIONS

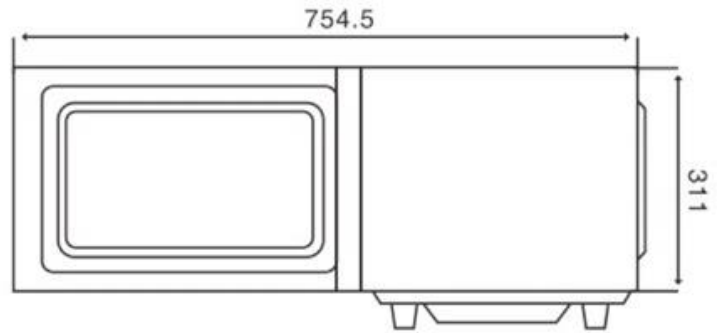
Depth (mm):	431
Gross Depth (mm):	478
Gross High (mm):	380
Gross weight (kg):	16,6
Gross Width (mm):	581
High (mm):	311
Width (mm):	515



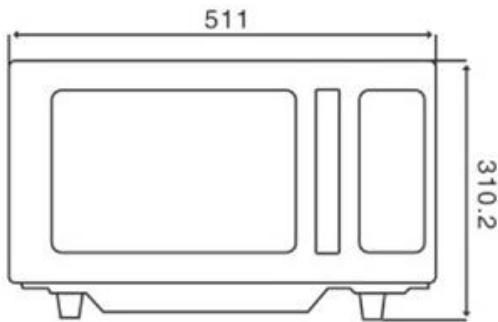
Packaging dimensions:
Heigth: 380 MM
Depth: 478 MM
Width: 581 MM
Gross weight: 16,6 KG



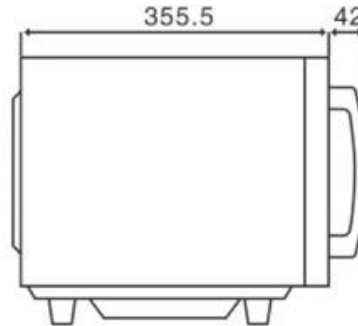
TOP



DOOR OPEN



FRONT



LEFT