



Parts Manual

Model _____ **Carton Clamp**

Catalog Number _____ **35D-CCS-35Q R3**

cascade®
corporation

For Technical Assistance call: 800-227-2233, Fax: 888-329-8207

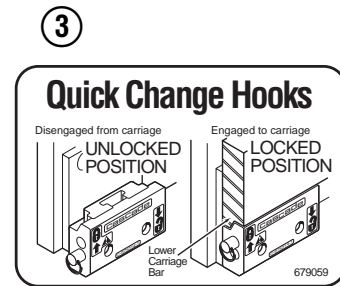
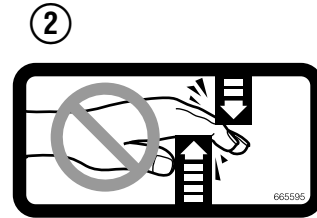
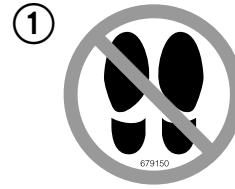
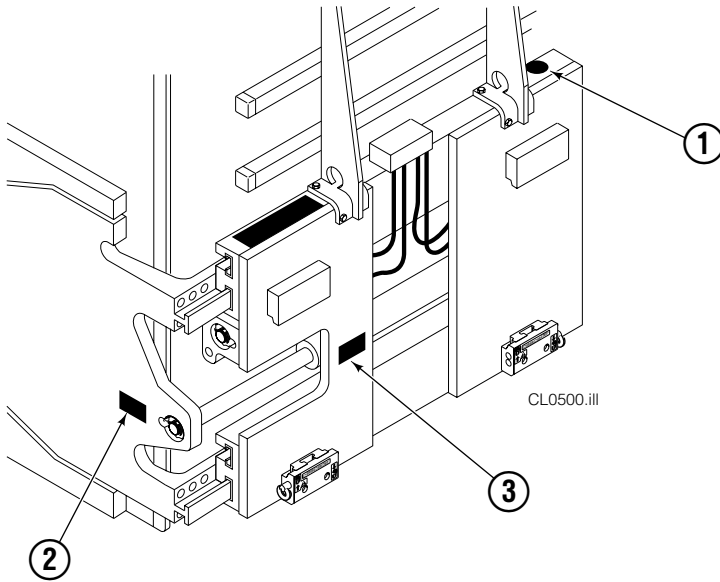
To Order Parts call: 888-227-2233, Fax: 888-329-0234

OR

Write: Cascade Corporation, P.O. Box 20187, Portland, OR 97220

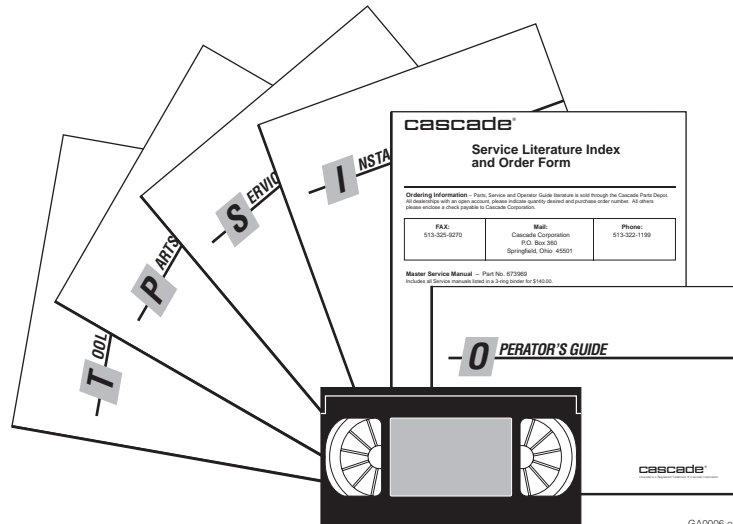
Internet: www.cascorp.com

Safety Decals



REF	QTY	PART NO.	DESCRIPTION
1	1	679150	No Step Decal
2	2	665595	No Hand Hold Decal
3	1	679059	Quick Change Hook Decal

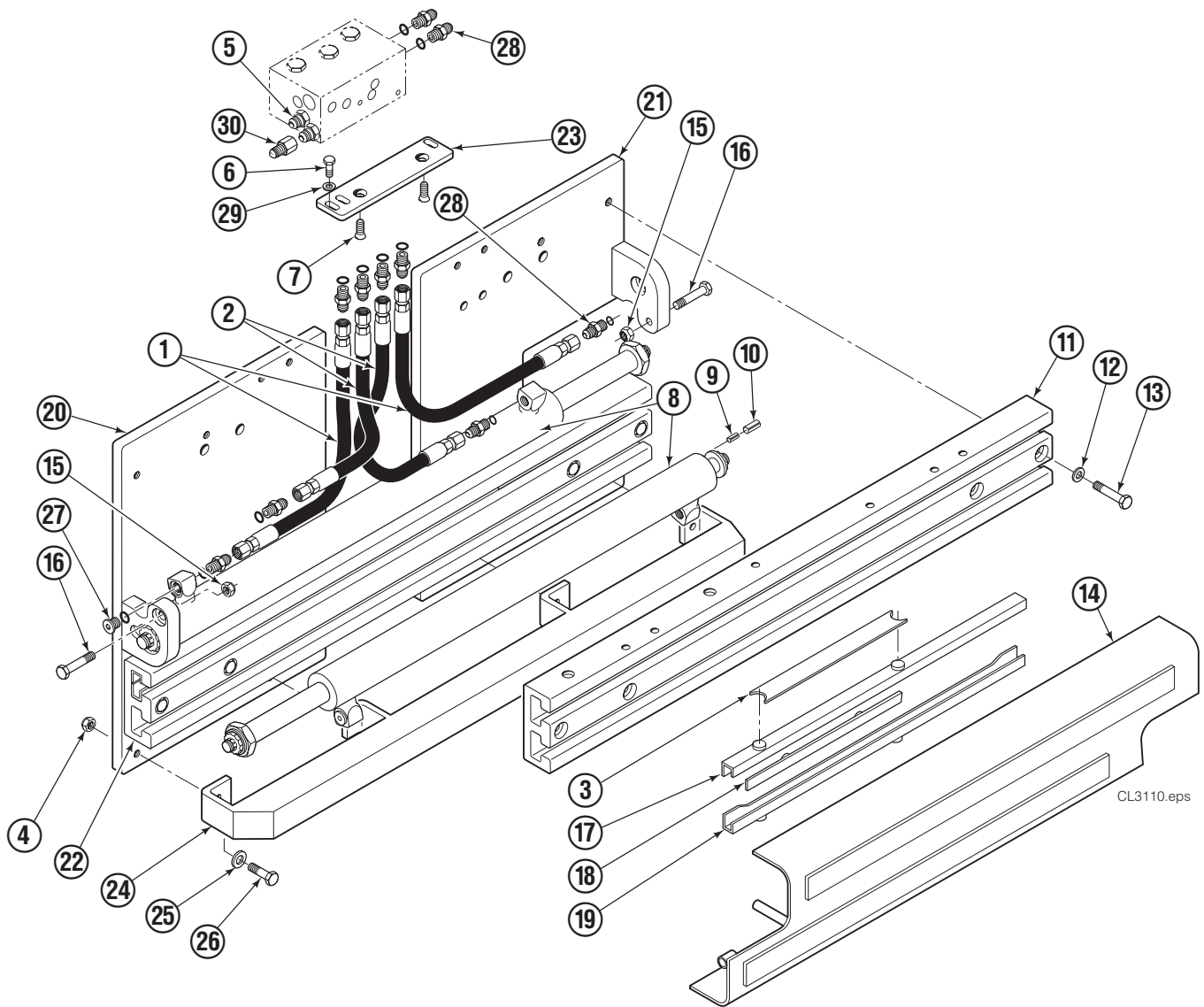
Publications



GA0006.eps

PART NO.	DESCRIPTION
670487	Service Manual
670834	Operators Guide
670488	Installation Instructions
680664	Servicing Cascade Cylinders-VHS
679929	Tool Catalog
673964	Literature Index Order Form

Base Unit Group



CL3110.eps

35D							
REF	QTY	PART NO.	DESCRIPTION	REF	QTY	PART NO.	DESCRIPTION
		221353	Base Unit Group	16	2	768414	Capscrew, M12 x 65
1	2	207425	Hose, 24.00 in.	17	4	208858	Bearing
2	2	675055	Hose, 1750 in.	18	4	667663	Bearing
3	■	675326	Shim Kit	19	4	208857	Bearing
4	4	773842	Nut, M12	20	1	220996	Mounting Plate – RH
5	1	601377	Fitting, 8-8	21	1	220997	Mounting Plate – LH
6	2	684594	Capscrew, M10 x 20	22	1	221417	Frame – Lower
7	2	4750	Capscrew, 3/8 x .75	23	1	669957	Bracket
8	2	671573	Cylinder ◆	24	1	671545	Lower Bumper
9	2	768953	Roll Pin – Inner	25	4	6205	Washer
10	2	769009	Roll Pin – Outer	26	4	768556	Capscrew, M12 x 45
11	1	221280	Frame – Upper	27	2	602580	Fitting, 8
12	8	667910	Washer, 1/2	28	10	611288	Fitting, 6-8
13	8	684659	Capscrew, M12 x 75	29	2	209021	Washer
14	1	672331	Bumper	30	2	6019053	Fitting, 8-6
15	2	773842	Nut, M12		1	669762	Valve Assembly ●

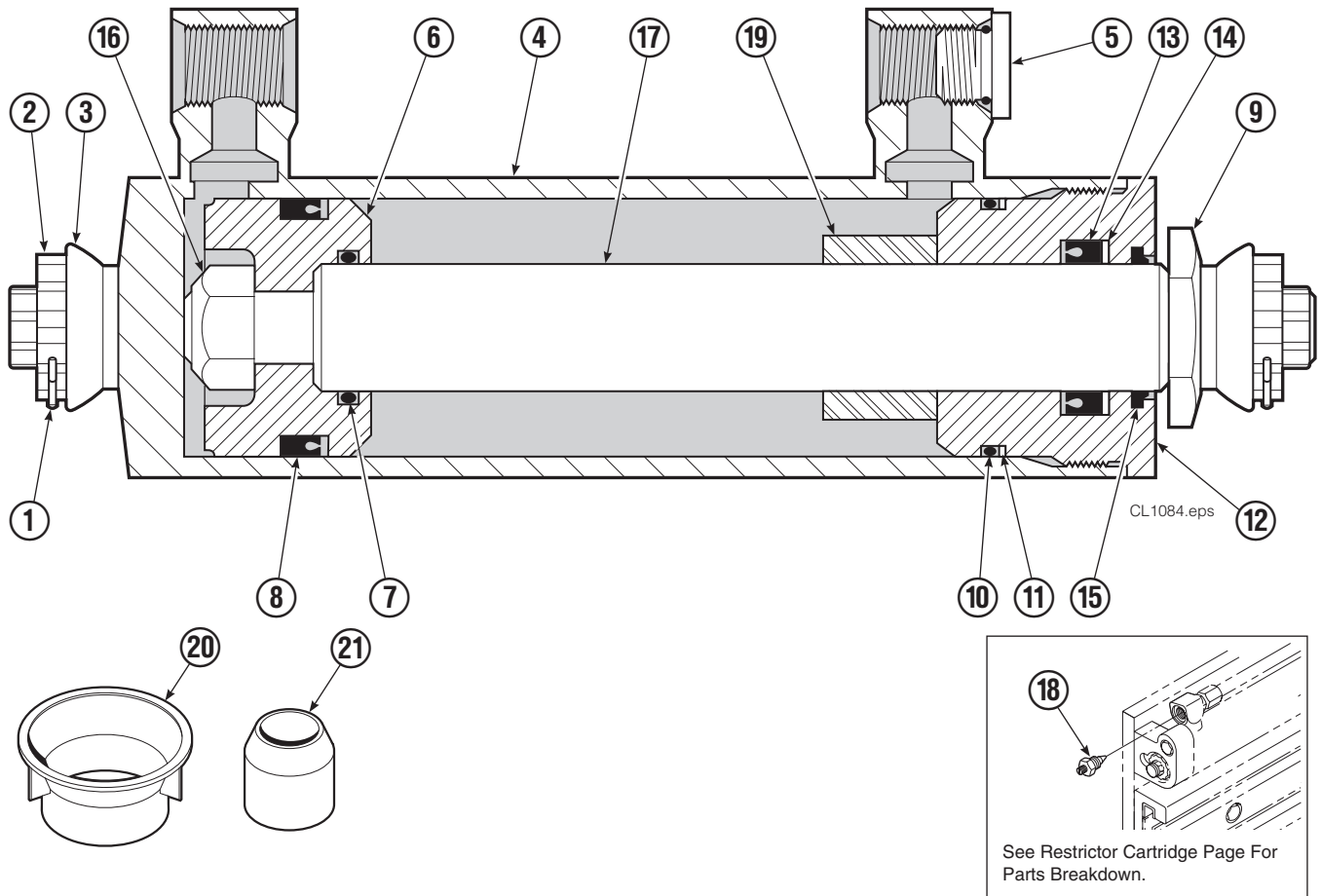
■ Includes two .015 Shims and eight .020 Shims.

◆ See Cylinder page for parts breakdown.

● See Valve Assembly page for parts breakdown.

Reference: SK-7381.

Cylinder Assembly

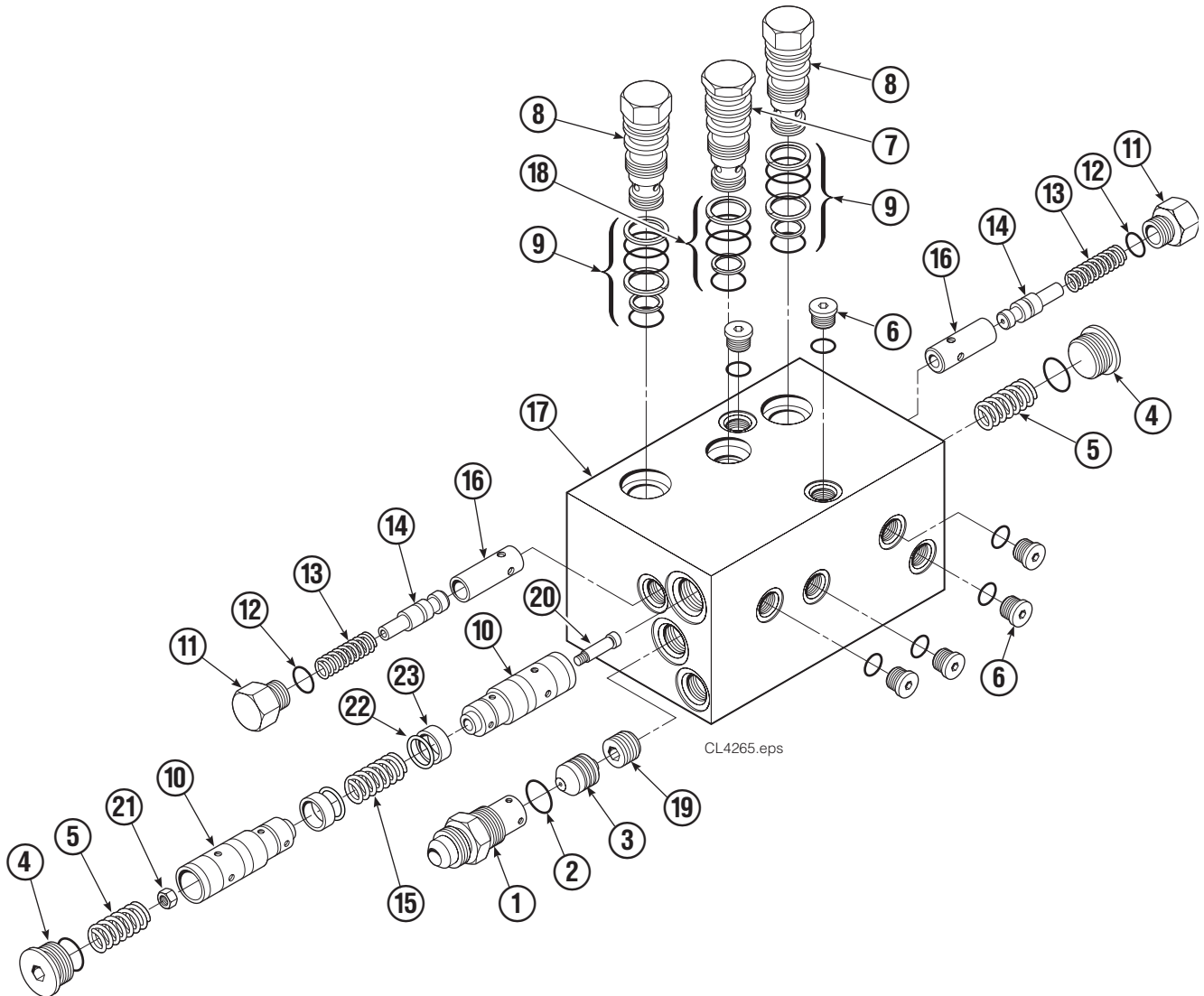


35D							
REF	QTY	PART NO.	DESCRIPTION	REF	QTY	PART NO.	DESCRIPTION
		671573	Cylinder Assembly	12	1	667917	Retainer
1	2	6510	■ Cotter Pin	13	1	662448	▲ Seal
2	2	667624	■ Nut Retainer	14	1	638243	▲ Nylon Ring
3	2	667625	■ Nut	15	1	636853	▲ Wiper
4	1	671574	Shell	16	1	668031	Nut
5	1	602580	Fitting	17	1	671571	Rod
6	1	558400	Piston	18	2	667609	Restrictor Cartridge ●
7	1	2716	▲ O-Ring	19	1	—	Spacer
8	1	662454	▲ Seal	20	1	671048	▲ Seal Loader, Piston
9	1	667626	Washer	21	1	671051	▲ Seal Loader, Retainer
10	1	2787	▲ O-Ring			667995	Service Kit
11	1	615130	▲ Back-Up Ring				

■ Included in Nut Service Kit 668926.
Reference: S-7625, S-7662.

▲ Included in Service Kit 667995.
● Not included in Cylinder Assembly.

Check Valve Assembly



CL4265.eps

REF	QTY	PART NO.	DESCRIPTION	REF	QTY	PART NO.	DESCRIPTION
		669762	Check Valve - Flow Divider (R16)	13	2	673098	Spring
1	1	667490	Special Fitting	14	2	667492	Poppet
2	1	2841	◆ O-Ring	15	1	667488	Spring ■ ▲
3	1	667471	Spool	16	2	667491	Sleeve
4	2	609453	Fitting, 10	17	1	669763	Valve Body
5	2	667487	Spring	18	1	661347	◆ Service Kit
6	6	604510	Fitting, 6	19	1	676343	Regeneration Elimination Plug ●
7	1	678270	Check Valve – VPO	20	1	673063	Shoulder Screw ■ ▲
8	2	6038929	Check Valve – PO	21	1	6095	Nut ■ ▲
9	2	667516	◆ Service Kit	22	2	673061	Retaining Ring ▲
10	2	673064	Spool ■ ▲	23	2	673062	Bushing ▲
11	2	667494	Fitting			667513	Valve Service Kit
12	2	2840	◆ O-Ring			667510	◆ Service Kit

◆ Included in Valve Service Kit 667513.

▲ Included in Low Flow Spool Assembly 679846.

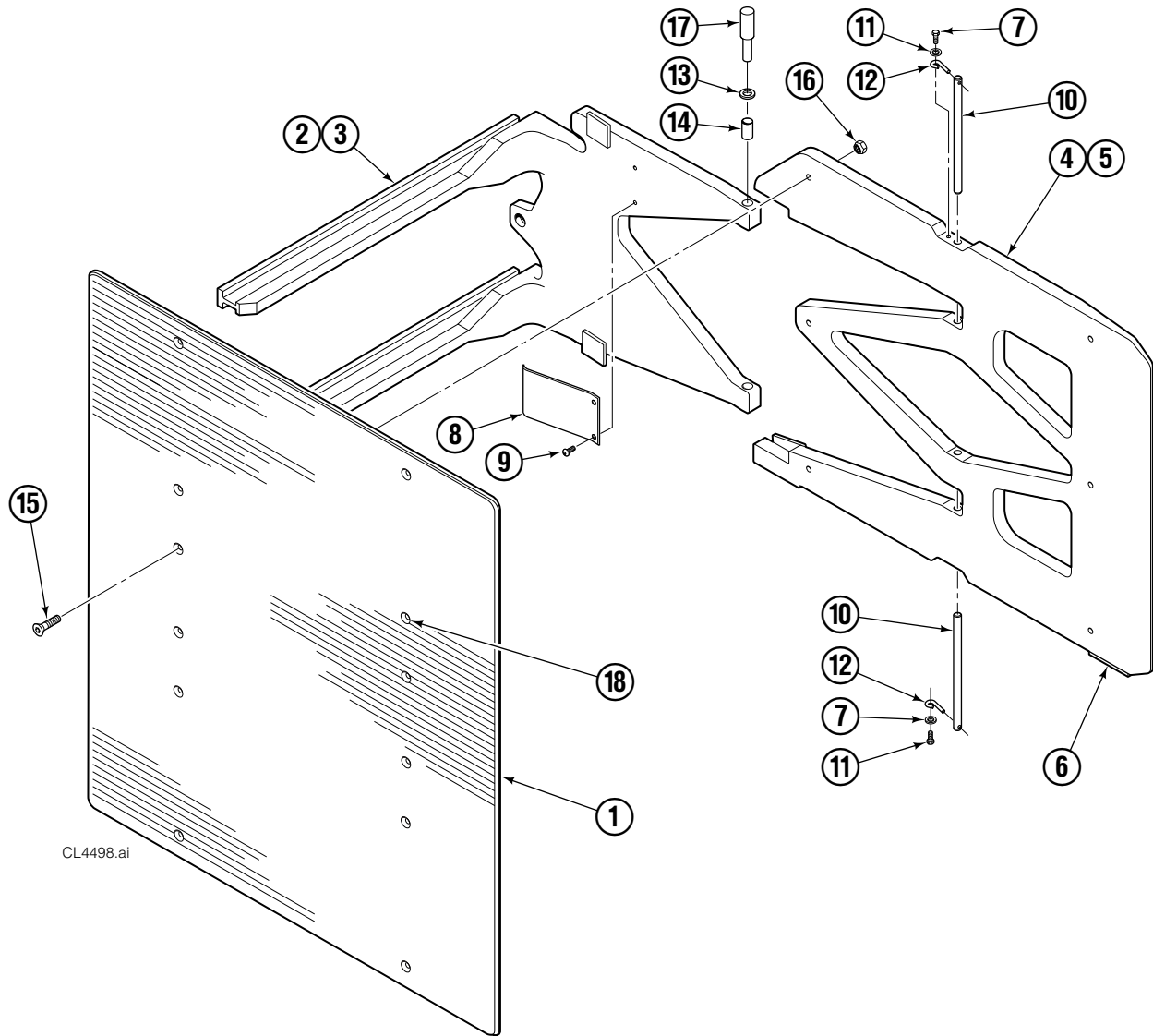
Reference: SK-5302.

● For eliminating regeneration circuit only.

■ Included in High Flow Spool Assembly 673089.

See Technical Bulletin 121.

Contact Pad & Arms

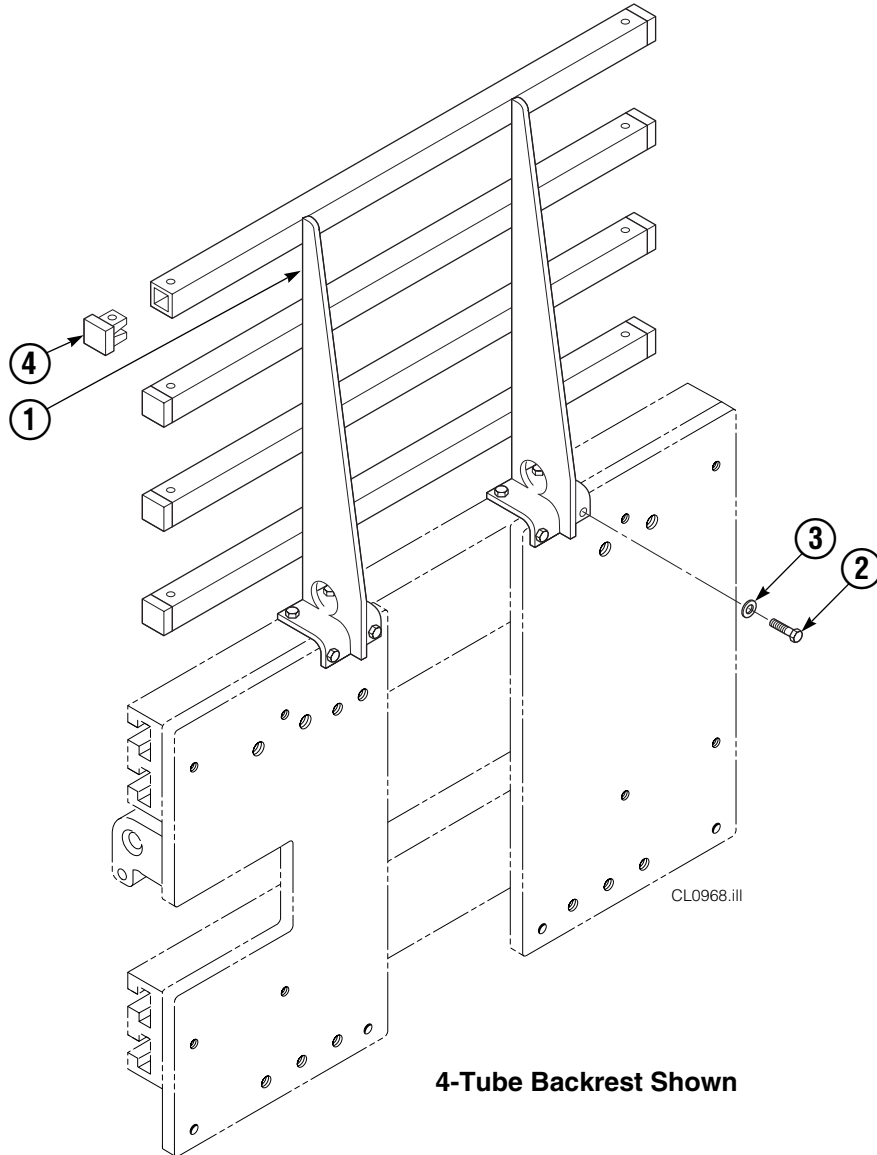


CL4498.ai

35D							
REF	QTY	PART NO.	DESCRIPTION	REF	QTY	PART NO.	DESCRIPTION
1	2	6099466	Contact Pad	10	4	210161	Pin
2	1	220959	Arm – LH (S-10432)	11	4	787372	Capscrew, M8 x 20
3	1	221088	Arm – RH (S-10433)	12	4	6020429	Eye Pin
4	1	6098458	Stabilizer – LH	13	10	675620	Washer, M10
5	1	6098459	Stabilizer – RH	14	8	200590	Bushing
6	2	208860	Wear Tile	15	12	768706	Capscrew, M12 x 35
7	4	787398	Washer, M8	16	12	773842	Nut, M12
8	2	210154	Spring	17	1	675626	Bushing Driver Tool
9	4	203405	Capscrew, M10 x 16	18	●	676841	Contact Pad Repair Kit

Reference: 6098457 Stabilizer Group, 6030089 Common Parts, ● Repairs one hole.
S-10436, S-10437, S-23942.

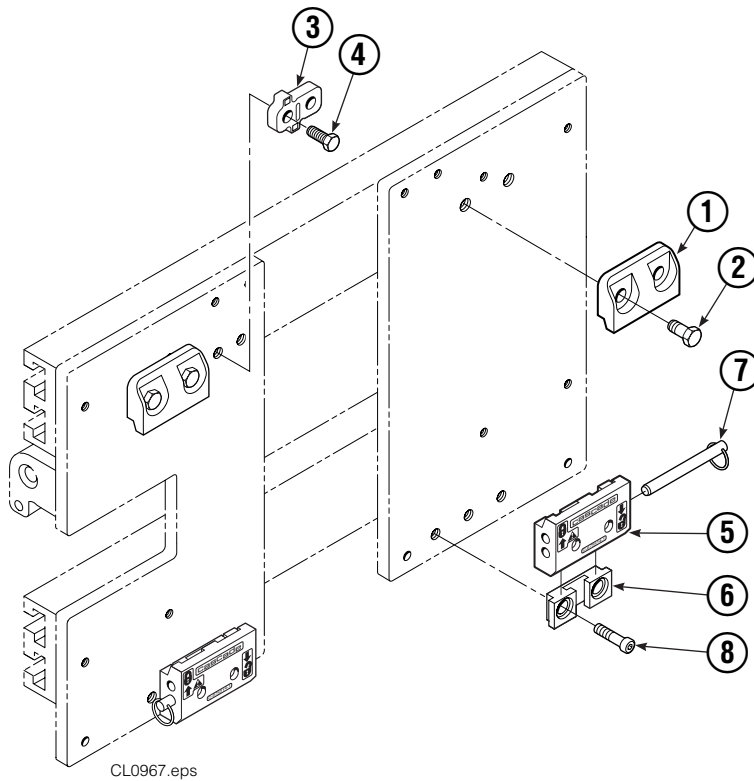
Backrest Group



35D			
REF	QTY	PART NO.	DESCRIPTION
		221577	Backrest Group
1	1	669897	Backrest
2	8	767810	Capscrew, M12x25
3	8	667910	Washer, M10
4	8	674356	Tube End

Reference: SK-6390.

Quick-Disconnect Mounting Group



Class II			
REF	QTY	PART NO.	DESCRIPTION
		211162	Upper Mounting Group ◆
		211174	Lower Mounting Group ●
1	2	210491	Upper Hook
2	4	768577	Capscrew, M20 x 35
3	1	212999	Center Key
4	2	211129	Capscrew, M16 x 35
5	2	675514	Lower Hook
6	2	675515	Guide
7	2	678832	Pin
8	4	211180	Capscrew, M16 x 30

◆ Includes items 1 – 4.

● Includes Items 5 – 8.

Reference: SK-6390.

Do you have questions you need answered right now?

Call your nearest Cascade Parts Department.

Visit us online at www.cascorp.com

AMERICAS

**Cascade Corporation
Parts Sales**

2501 Sheridan Ave.
Springfield, OH 45505
Tel: 888-CASCADE (227-2233)
Fax: 888-329-0234

Cascade Canada Inc.

5570 Timberlea Blvd.
Mississauga, Ontario
Canada L4W-4M6
Tel: 905-629-7777
Fax: 905-629-7785

Cascade do Brasil

Rua João Guerra, 134
Macuco, Santos - SP
Brasil 11015-130
Tel: 55-13-2105-8800
Fax: 55-13-2105-8899

EUROPE-AFRICA

**Cascade Italia S.R.L.
European Headquarters**

Via Dell'Artigianato 1
37030 Vago di Lavagno (VR)
Italy
Tel: 39-045-8989111
Fax: 39-045-8989160

Cascade (Africa) Pty. Ltd.

PO Box 625, Isando 1600
60A Steel Road
Sparton, Kempton Park
South Africa
Tel: 27-11-975-9240
Fax: 27-11-394-1147

ASIA-PACIFIC

Cascade Japan Ltd.

2-23, 2-Chome,
Kukuchi Nishimachi
Amagasaki, Hyogo
Japan, 661-0978
Tel: 81-6-6420-9771
Fax: 81-6-6420-9777

Cascade Korea

121B 9L Namdong Ind.
Complex, 691-8 Gojan-Dong
Namdong-Ku
Inchon, Korea
Tel: +82-32-821-2051
Fax: +82-32-821-2055

Cascade-Xiamen

No. 668 Yangguang Rd.
Xinyang Industrial Zone
Haicang, Xiamen City
Fujian Province
P.R. China 361026
Tel: 86-592-651-2500
Fax: 86-592-651-2571

**Cascade India Material
Handling Private Limited**

No 34, Global Trade Centre
1/1 Rambaugh Colony
Lal Bahadur Shastri Road,
Navi Peth, Pune 411 030
(Maharashtra) India
Phone: +91 020 2432 5490
Fax: +91 020 2433 0881

Cascade Australia Pty. Ltd.

1445 Ipswich Road
Rocklea, QLD 4107
Australia
Tel: 1-800-227-223
Fax: +61 7 3373-7333

Cascade New Zealand

15 Ra Ora Drive
East Tamaki, Auckland
New Zealand
Tel: +64-9-273-9136
Fax: +64-9-273-9137

**Sunstream Industries
Pte. Ltd.**

18 Tuas South Street 5
Singapore 637796
Tel: +65-6795-7555
Fax: +65-6863-1368

