

Thank you for purchasing this OUAT woodpecker 4-in-1 convertible crib. Please read the instructions and warnings carefully before use to ensure safe and satisfactory operation of this product. Your child’s safety is your responsibility. If you have a query with this product or require replacement parts, please contact the shop where you purchase this crib.

Lay out the parts on a soft level surface and compare to the part/fixings checklist. Do not discard any packaging until you are sure that you have all the parts.

Keep children clear during assembly as pack contains small parts which may present a choking hazard.

Recommended mattress:1330mm*710mm

This product complies with CNS 11676 / EN 716-1 / ASTM F1169-13.

UNITED STATES CRIB SAFETY WARNINGS (ASTM F1169-13)

⚠️ WARNING Failure to follow these warnings and the assembly instrustions could result in serious injury or death.

Read all instructions before assembling crib. Keep instructions for future use. Never use plastic shipping bags or other plastic film as mattress covers because they can cause suffocation.

Infants can suffocate in gaps between crib sides and a mattress that is too small. Infants can suffocate on soft bedding. Never add a pillow or comforter. Never place additional padding under an infant.

To reduce the risk of SIDS, pediatricians recommend healthy infants be placed on their backs to sleep, unless otherwise advised by your physician. Place one long side of the crib against a wall.

⚠️ WARNING Infants can suffocate on soft bedding. Never add a Pillow or comforter. Never place additional padding under an infant.

Strangulation Hazard:

- Strings can cause strangulation! DO NOT place items with a string around a child’s neck, such as hood strings or pacifier cords.
- DO NOT suspend strings over a crib or attach strings to toys.
- To help prevent strangulation, tighten all fasteners. A child can trap parts of the body or clothing on loose fasteners.
- DO NOT place crib near window where cords from blinds or drapes may strangle a child.

Fall Hazard:

- When child is able to pull to a standing position, set mattress to lowest position and remove bumper pads, large toys and other objects that could serve as steps for climbing out.
- Stop using crib when child is able to climb out or reaches the height of 35 in. (89 cm).
- Check this product for damaged hardware, loose joints, loose bolts or other fasteners, missing parts, or sharp edges before and after assembly and frequently during use. Securely tighten loose bolts and other fasteners. DO NOT use crib if any parts are missing, damaged or broken. Contact OUAT for replacement parts and instructional literature if needed. DO NOT substitute parts.
- If refinishing, use a non-toxic finish specified for children’s products.
- Follow warnings on all products in a crib.

CAUTION: ANY MATTRESS USED IN THIS CRIB MUST BE AT LEAST 69 BY 131 CM WITH A THICKNESS NOT EXCEEDING 15CM.

EUROPEAN REGULATION SAFETY WARNINGS (BS EN 716-1)

⚠️ IMPORTANT, RETAIN FOR FUTURE REFERENCE: READ CAREFULLY.

👤👤 IMPORTANT: 2 Adults Assembly Required.

Warnings

- Before assembling the crib, read carefully this manual, and this booklet for future reference.
- The proper use of this crib is important for your baby’s safety. To keep your baby secure and safe, and to avoid potential injury or death, carefully read and familiarize yourself with all warnings, cautions and instructions in the instruction booklet.
- Keep this instruction for future use. Do not throw away the instruction booklet.

⚠️ WARNING Only use the mattress sold with this cot, do not add a second mattress on this one, suffocation hazards.

- Assembled by adult only, keep away from your baby.
- The bed should not be placed directly next to air-conditioning outlets, fire places, radiators, space heaters, humidifiers or dehumidifiers. Exposure to extreme variations of temperature and humidity can damage wood products.
- Always check the crib is free from damage before use. Do not use product if any damage is present. Only use the parts provided by the manufacturer.
- DO NOT place anything inside or outside the crib that enable child to grab or stand. DO NOT suspend strings or blinds over the crib for any reason.
- Regularly check that all assembly fittings are always tightened properly and retighten as necessary.
- During the assembly process, keep your baby away from the crib.
- The thickness of the mattress used in the crib CAN NOT exceed 50mm, and the optimal dimension is 710 mm X 1330mm.

Announcement

- Before each usage or assembly, inspect the crib for damaged hardware, loose joints, missing parts, or sharp edges. DO NOT use the crib if any parts are missing or broken.
- When child is able to pull to a standing position, set bed board to lowest position and remove bumper pads, large toys and other objects that could serve as steps for climbing out.
- Keep the Guardrail at all time when child is in the crib.
- Set the mattress to the lowest position, the distance from the mattress to the top must be at least 500 mm. When the mattress is at the top position, the distance from the mattress to the top must exceed 200 mm.
- Any mattress used in this bed SHALL NOT leave any gap over 30mm.
- Inspect the crib regularly, and make sure all the parts are assembled properly.
- Clean the crib properly as instructed in Care & Maintenance.
- Stop using crib when child is able to climb out or reaches the height of 890 mm.
- Always check the bed is free from damage before use. Do not use product if any damage is present. Regularly check that all assembly fittings are always tightened properly and retighten as necessary.
- When child is able to grab and stand, lower the bed board, make sure the distance from the mattress to the top of the crib is never less than 600 mm.
- Place one long side of the crib against a wall.

Care & Maintenance

- Keep the bed out of direct sunlight. UV rays may fade colors and in some cases darken it. It can cause crazing or hair line cracks in the finish. White finishes will darken naturally over time and exposure to direct sunlight will hasten this natural process along with some wood darkening; this is not considered to be a quality defect.
- Apply to bed surface with a damp cloth.
- Dark color liquid and urine may change the wood finishing.
- When cleaning your crib/bed rail, use a nontoxic, non-abrasive cleaner. Mix a solution of water, if necessary, with a small amount of a mild detergent.
- Wipe along the wood grain, do not wipe circularly.

依據台灣家用嬰兒床及摺疊嬰兒床(CNS 11676)、兒童照護用品-家用遊戲圍欄(CNS 16004)安全規範標示

⚠️ 重要！保留以備參照，請詳細閱讀。

👤👤 重要提醒：此產品的安裝需要兩個成人。

警語

- 只允許成人安裝，兒童勿近。
- 要注意嬰兒床、遊戲圍欄周圍附近的明火及其他如電熱棒、瓦斯燃火等強熱源之風險。
- 若有任何零件破損、扯裂或遺失，切勿使用此床，僅能使用製造廠商認可之備用零件。
- 勿在嬰兒床內留下任何物品，或接近可提供踩踏或存有窒息或纏繞危險的其他產品處(如繩索、百葉窗/窗簾拉繩等)。
- 再放置嬰兒之前，請確保嬰兒床組裝的完整性，並檢查所有機件的牢固性。
- 折疊或調整嬰兒床時，應將嬰兒抱開。
- 嬰兒能站立後請將床板調整至最低位置。
- 嬰兒床內使用之床墊勿超過1個。
- 配套床墊不可高於50mm，且安全尺寸為1330mm*710mm。
- 切勿使用無基底之遊戲圍欄。
- 將您的嬰幼兒放入遊戲圍欄前，確保遊戲圍欄完全暨立且所有鎖定機構接合妥當。
- 遊戲圍欄限六歲以下兒童使用。

注意

- 僅當鎖定機構接合時，並在使用前小心檢查完全接合後，折疊嬰兒床方可使用。
- 若床底板高度可調整時，應注意最低位置最安全，且一旦嬰兒長大到可以坐立時，床底板應一直使用在此位置。
- 當裝有可移動側面時，若嬰兒在床中時，務必確保可移動側面在關閉狀態。
- 床墊之厚度應使床底板在最低位置時，內部高度(床墊表面至床框上緣)至少為500mm，且床底板在最高位置時，內部高度至少為200mm。
- 嬰兒床所能使用床墊之最小尺度，床墊的長度與寬度應使床墊與側面及端面間之縫隙不超過30mm。
- 所有組裝配件須正確旋緊，且配件須定期檢查，必要時並重新旋緊。
- 當嬰兒能攀爬時，嬰兒床不得在供該嬰兒使用，以防止墜落傷害。
- 請定期檢查嬰兒床的安全性，確保所有機件與螺絲緊固，並檢查五金件是否有損壞或遺失，嬰兒床外觀是否有毛刺等。
- 當嬰兒能抓住站立時，床板上面至上橫桿之高度須調整至600mm以上。
- 產品轉讓別人請將此說明書一併交付。

保養清潔/洗滌方式

- 請勿將家具暴露在強烈的陽光下，直接接觸熱源，溫度極端變化或濕氣。
- 用柔軟乾淨的布塊立即擦乾溢出物。
- 家具上的尿液溢出會導致變色。
- 用蘸水的軟布擦拭表面，清潔家具。
- 如有必要，使用溫和的肥皂溶液清潔家具，並用軟布擦拭乾淨用水蘸水，然後用乾淨的軟布擦乾。
- 不要使用強力家用清潔劑。
- 請順著木紋方向擦拭木板，不要用圓圈擦拭。

	
產品名稱	店家蓋章
啄木鳥四合一遊戲成長床 Woodpecker 4-in-1 Convertible Crib Item #DB-10007	
出貨日期	
購買人	
連絡電話	
依說明書正確使用本產品而發生故障的情況下可在產品出貨日起36個月內享有保固，請妥善保管此保固書以享有保固權益。	
致 與我們同行在漫長育兒路上的你 願 孩 記得Once Upon A Time 能帶給您與孩子專屬的美好記憶 孩子 記得你可以不一樣	
Thank you for choosing OUAT! We are all together in parenting. Life is a grand carnival; you can enjoy after hard-work. Shall we make every day memorable with our loved ones. We are all unique and fabulous, so do our children!	Elise Hsieh

⚠️ 請妥善保管此保固書以享有保固權益。

保固期限

- 產品保固以出貨日起算36個月為保固期限，出貨日期為產品自本公司出貨配送日。另當原購買者轉售或轉讓該產品時，即為保固期限的終止期。
- 顧客需要保固服務時，請聯繫原購買銷售點或孩記得，並出示購買發票及蓋有本公司店章之保固書方可生效，故請妥善保存保固書或發票以享有品質保證服務。
- 本保固書所稱之孩記得，係指龍禮實業有限公司，即Maxamis Co., Ltd.。

安全說明

- 組裝的步驟需確實依照組裝說明書來組立。
- 使用前請檢查所有零件部位是否有牢固。
- 當嬰兒在床中時，務必確保前板關閉，兩側旋鈕扣緊床組。
- 當嬰兒開始會翻身或攀爬，請將床板降至最低高度之幼兒床/遊戲床模式使用，以避免幼童跌落等意外事故。
- 使用床墊之最小尺度，床墊的長度與寬度應使床墊與側面及端面間之縫隙不超過30mm。
- 請定期檢查遊戲成長床的安全性，確保所有機件與螺絲緊固，並檢查五金件是否有損壞或遺失，嬰兒床外觀是否有毛刺等。

哪些狀況下產品無法得到保固服務

- 保固服務不適用於因存放失當、安裝方式錯誤、使用方法有誤、自行更改結構及使用不當清潔方式或用品所導致之損壞與瑕疵。
- 保固服務不適用於切割或刮傷、撞擊或意外所造成的損壞。若因放置環境與保養不當導致遊戲成長床變形與斷裂、掉漆等，不適用於本保固服務。
- 保固服務不適用於自行拆除各零部件或修補產品而造成的損壞。
- 保固服務不適用於天災或意外事件所造成的損毀。
- 保固服務權益僅涵蓋第一購買權人，權利不得轉讓。
- 因組裝不當造成遊戲成長床損壞或人員受傷，或違反相關法令的行為導致的故障，不負任何賠償義務。
- 保固服務不適用於外在環境因素所產生的損耗，例如濕氣、黴菌、蟲害、陽光曝曬等問題。
- 保固書內如未加蓋本公司店章或無法提供購買證明如發票者，恕無法享有保固服務。
- 保固服務不適用營業及出租使用者。
- 展示商品恕無法提供保固服務。
- 商品保固之服務工作僅限於台灣本島境內作業。於保固期限內，若商品發生使用問題，請聯繫本公司站客服人員，並提供商品相關資料，若商品在符合正常使用狀況且符合本公司商品保固範圍及條件，本公司將提供商品維修或更換。原商品零件一經替換，原商品零件將回收，不另行通知。
- 若超過保固期限，發現商品出現問題，其零件及維修費則另外計算。若遇到商品停產已久，可能會遇到無零件更換或無法維修的狀況，敬請見諒。
- 孩記得保留修正、解釋此保固服務條款與細則之權利。

龍禮實業有限公司
MAXAMIS CO., LTD.
台中市西屯區朝富路213號16A3
16A3, No.213, Chaofu Rd., Xitun Dist., Taichung City 407, Taiwan (R.O.C)
消費者專線: +886 4 22543969
www.ouat1ife.com



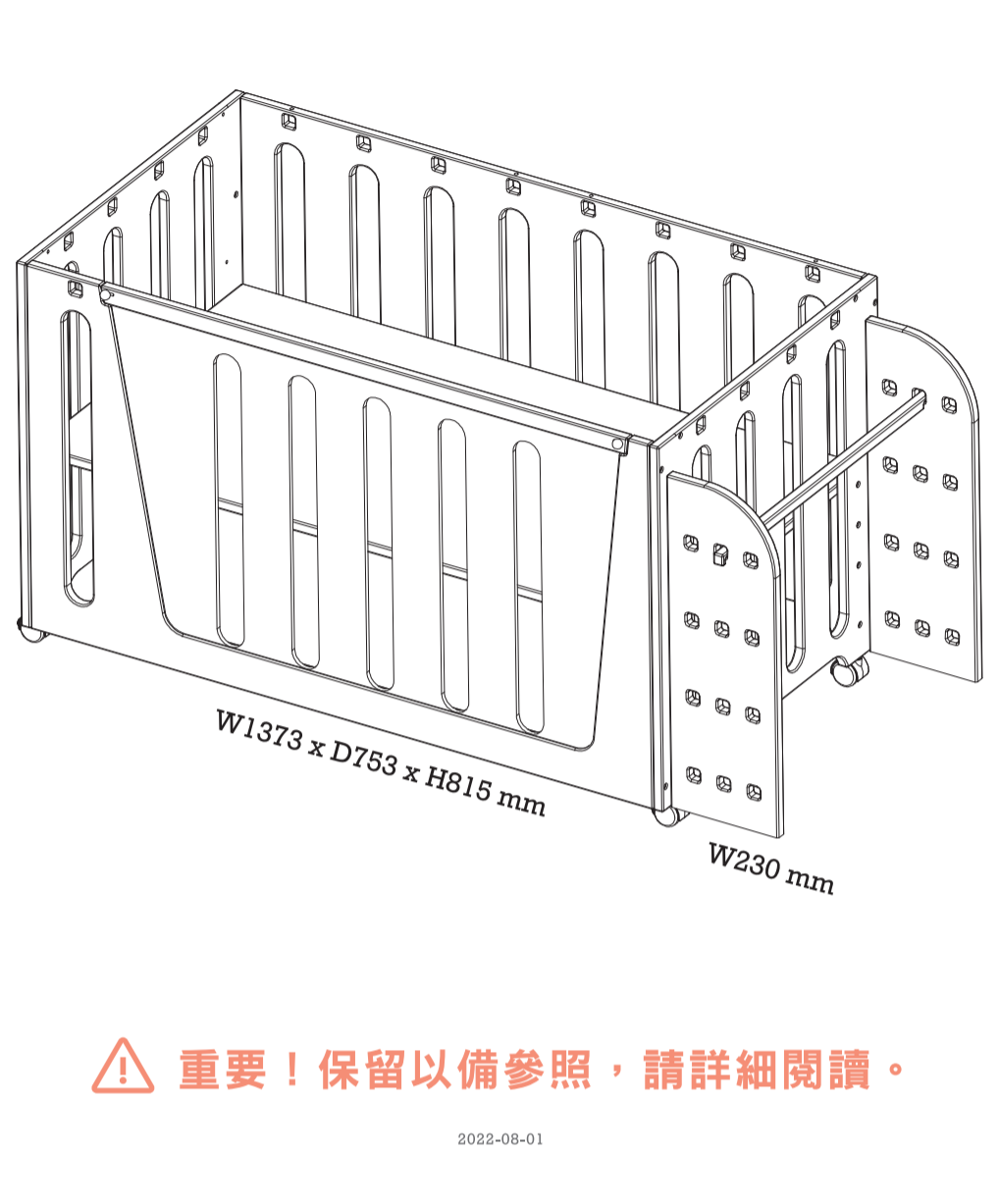
MADE IN TAIWAN



啄木鳥四合一遊戲成長床

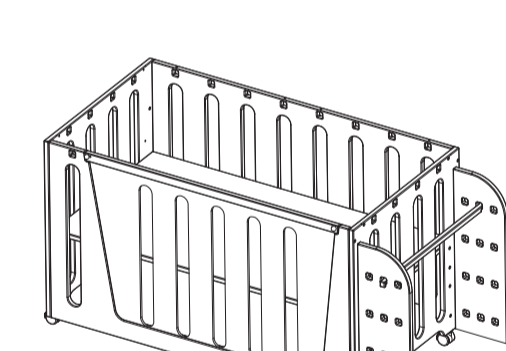


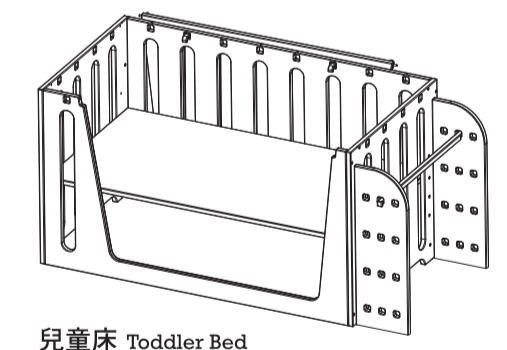
Woodpecker 4-in-1 Convertible Crib

Item #DB-10007

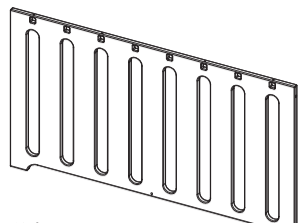
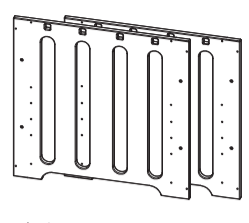

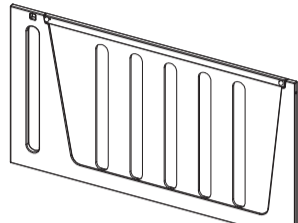
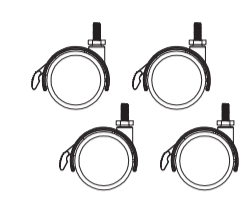
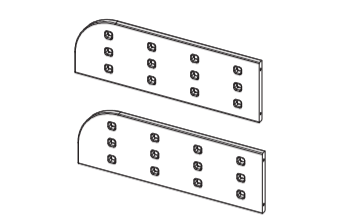
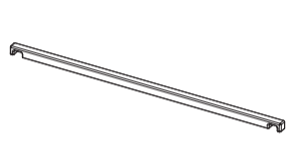
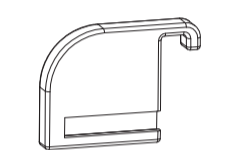
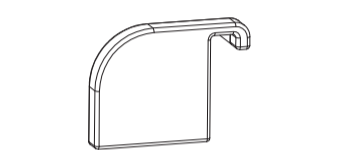

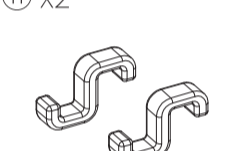
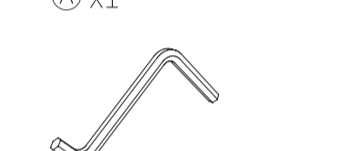
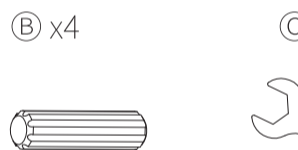





啄木鳥四合一遊戲成長床

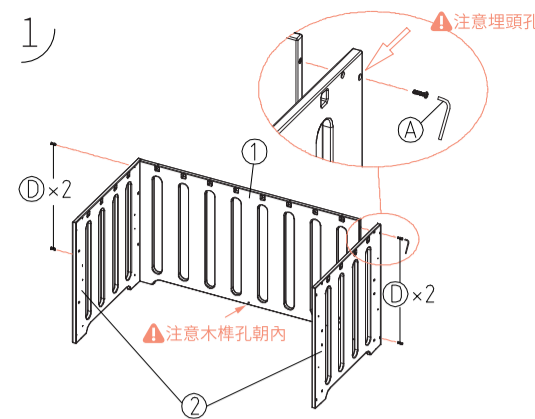
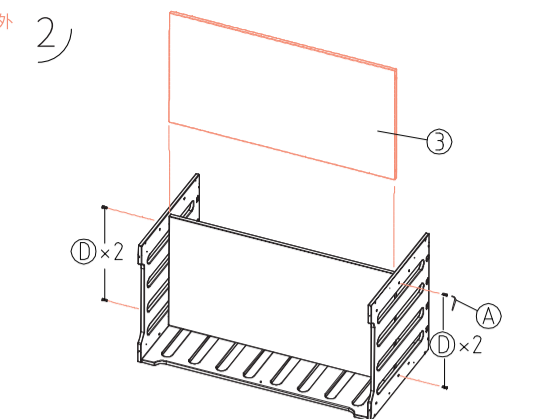
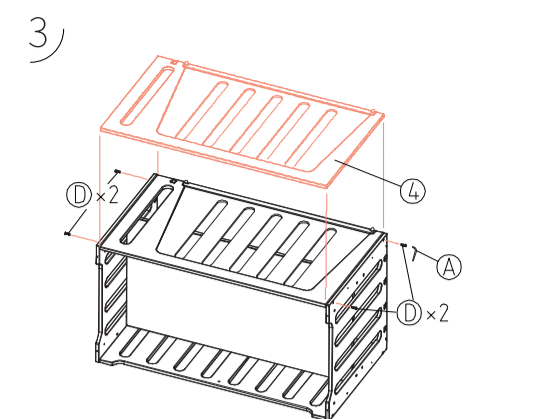
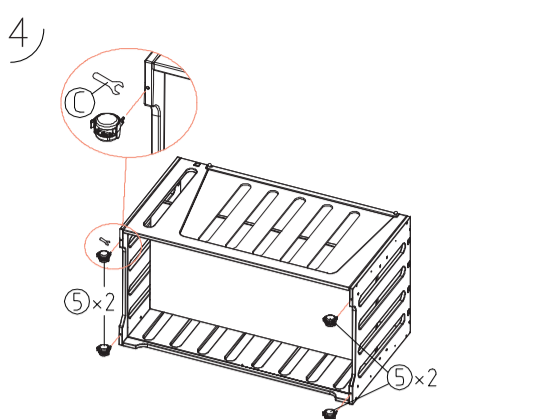

Woodpecker 4-in-1 Convertible Crib

	
嬰兒床 Baby Crib W1373 x D753 x H815mm (含側邊掛板 W1603mm)	兒童床 Toddler Bed W1373 x D753 x H755mm (含側邊掛板 W1603mm)
	
遊戲床 Play Bed W1373 x D753 x H815mm (含側邊掛板 W1603mm)	書桌 Study Table W1373 x D753 x H985mm (桌面高 H755mm)

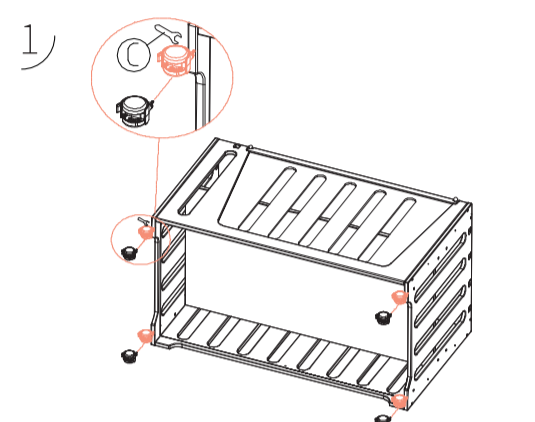
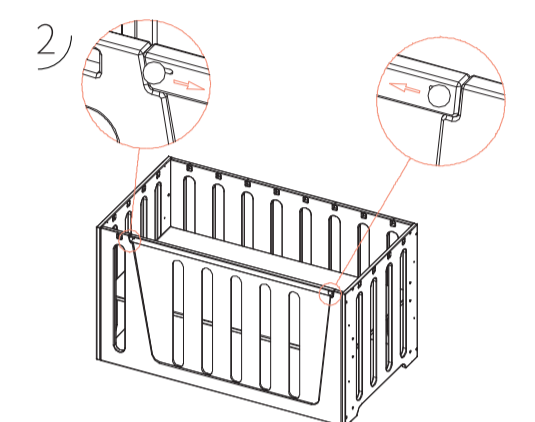
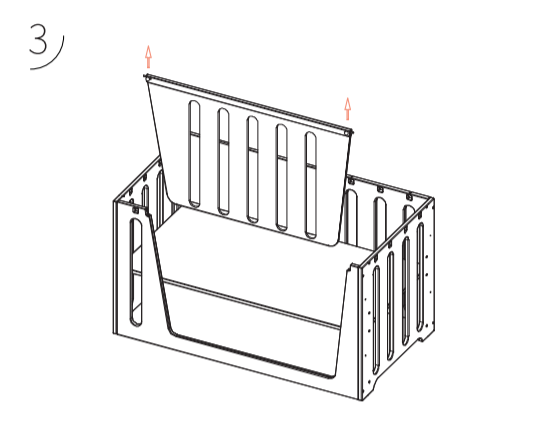
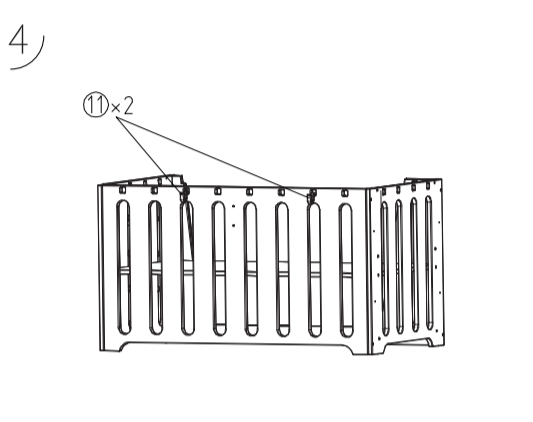
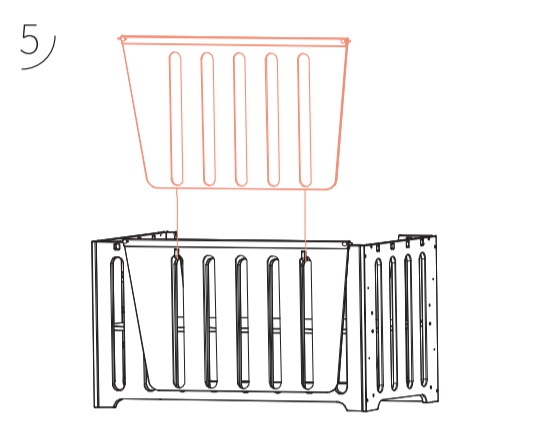
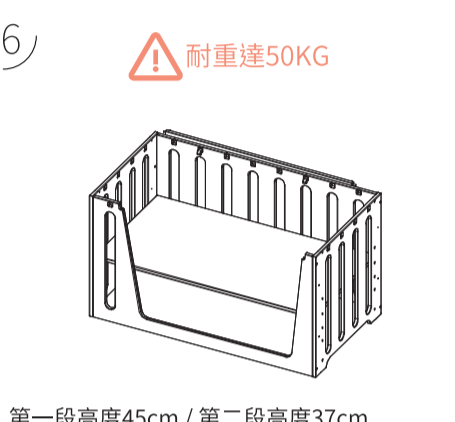
零件表 Parts/Hardware List

- | | | |
|--|---|--|
| ① x1

後板
Back Board | ② x2

側板組
Side Board Set | ③ x1

床板
Bed Board |
| ④ x1

前板&小前板
Front Board & Guardrail | ⑤ x4

固定輪
Fixed Wheel | ⑥ x2

掛板
Peg Board |
| ⑦ x1

掛桿
Hanging Rod | ⑧ x1

托架(左)
Bracket (Left) | ⑨ x1

托架(右)
Bracket (Right) |
| ⑩ x1

掛層板
Shelf | ⑪ x2

S掛鉤組
S-Hook Set | A x1

4mm六角扳手
4mm Hex-key Wrench |
| B x4

木榫 08x30mm
Dowel 08x30mm | C x1

開口扳手13mm
13mm Open-End Wrench | D x16

圓頭內六角螺絲35mm
35mm Hex Socket Head Cap Screw |
| | | E x4

平頭內六角螺絲22mm
22mm Hex Socket Flat Head Cap Screw |

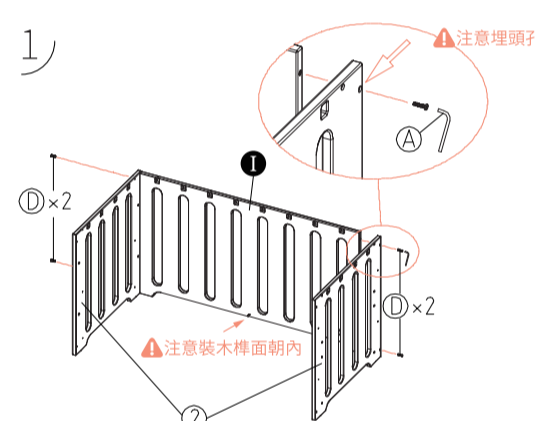
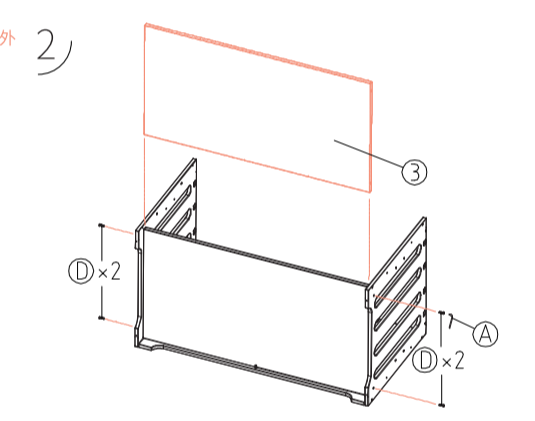
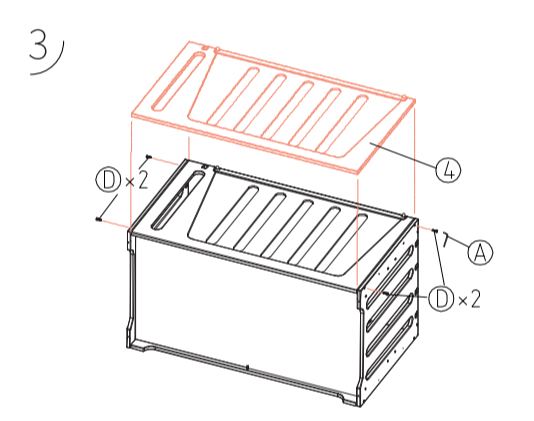
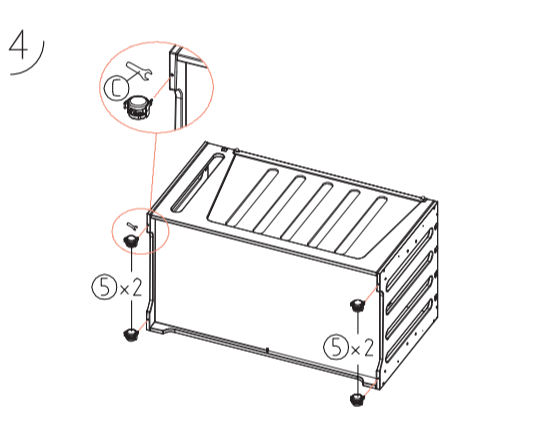
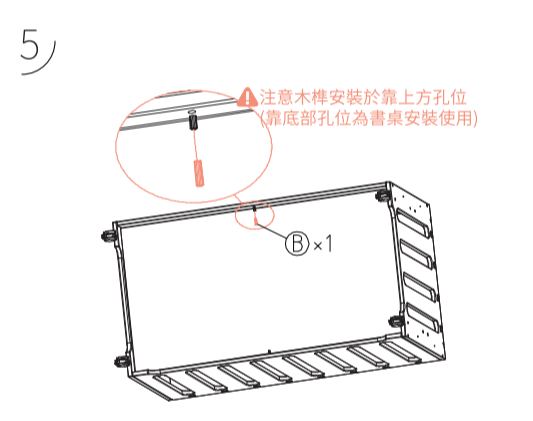
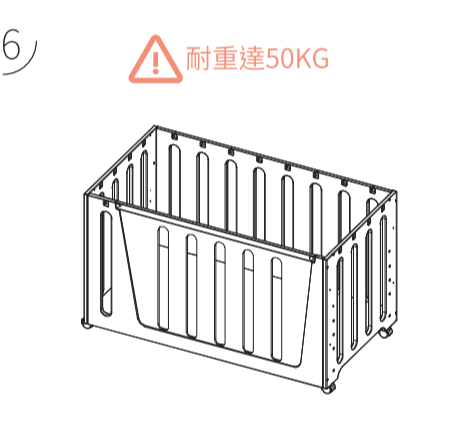
嬰兒床 Baby Crib

- 
使後板與側板的上緣齊平並鎖上⑩螺絲
- 
放置床板於第一段高度孔位並鎖上⑩螺絲
(床板貼紙面朝上)
- 
使前板與側板的上緣齊平並鎖上⑩螺絲
- 
安裝固定輪
- 
耐重達50KG
第一段高度51cm / 第二段高度43cm
第三段高度35cm / 第四段高度27cm
第五段高度14cm
(以上標示高度為安裝滾輪、未含5cm床墊)

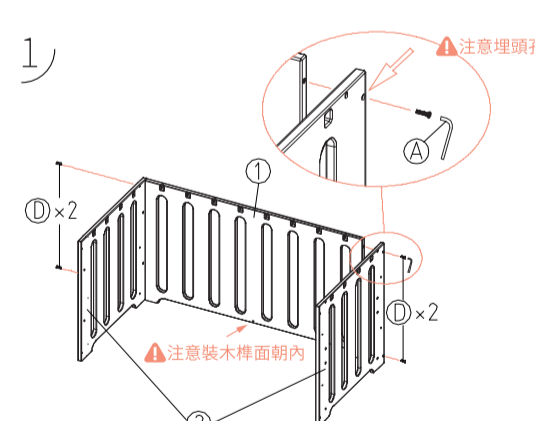
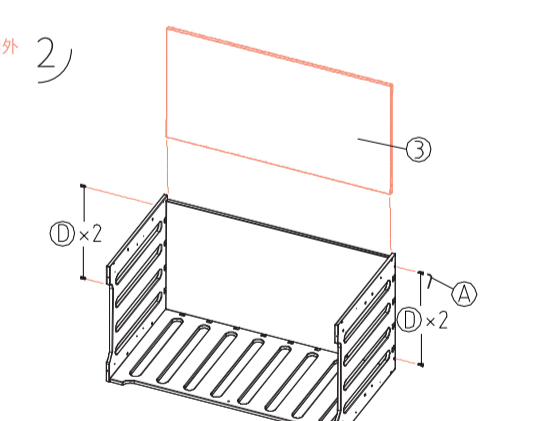
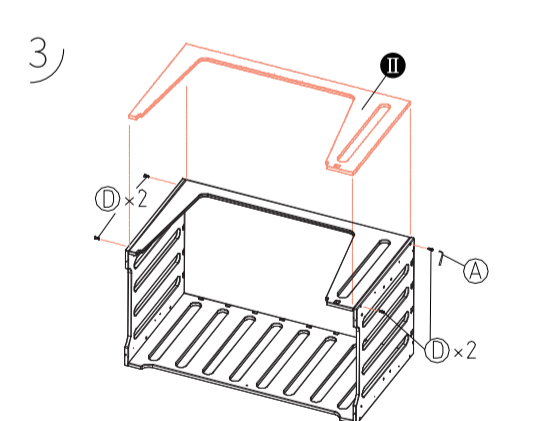
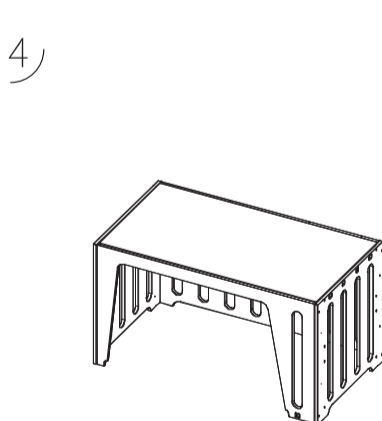
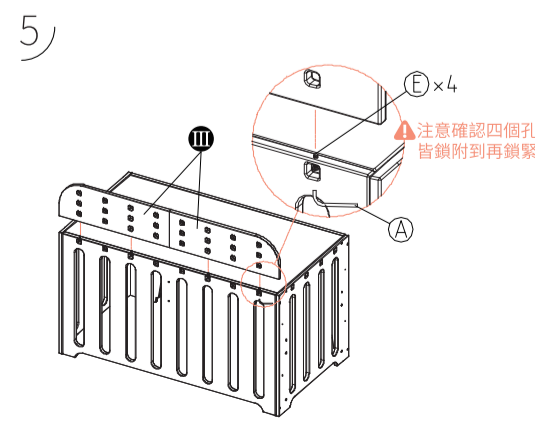
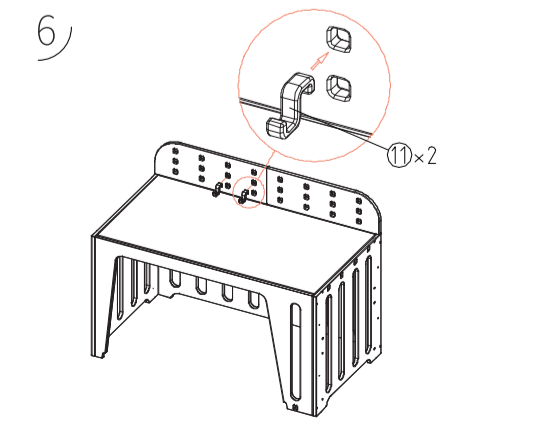
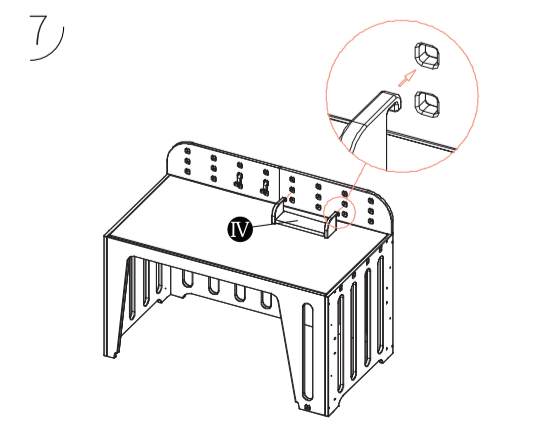
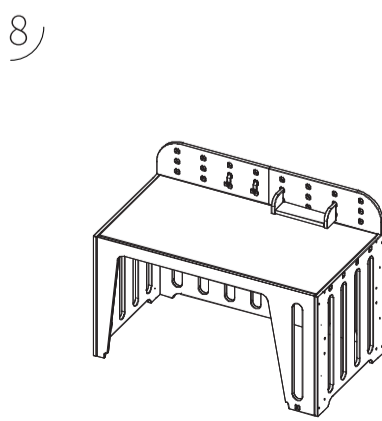
兒童床 Toddler Bed

- 
拆除底部滾輪
- 
左右開關往內作動
- 
小前板往上拉起
- 
於後板上緣孔位掛上S掛鉤
- 
小前板可使用S掛鉤收納於後板
- 
耐重達50KG
第一段高度45cm / 第二段高度37cm
第三段高度29cm / 第四段高度21cm
第五段高度8cm
(以上標示高度為未安裝滾輪、未含5cm床墊)

遊戲床 Play Bed

- 
使後板與側板的上緣齊平並鎖上⑩螺絲
- 
放置床板於最低高度孔位並鎖上⑩螺絲
(床板貼紙面朝上)
- 
使前板與側板的上緣齊平並鎖上⑩螺絲
- 
安裝固定輪
- 
前板內側安裝木榫以固定床板
- 
耐重達50KG
此為第五段高度離地14cm
(以上標示高度為安裝滾輪、未含5cm床墊)

書桌 Study Table

- 
使後板與側板的上緣齊平並鎖上⑩螺絲
- 
將床板與側板的上緣齊平並鎖上⑩螺絲
(床板貼紙面朝下)
- 
將前板與側板的上緣齊平並鎖上⑩螺絲
- 
主體安裝完成
- 
將掛板組⑪對齊後板上緣孔位並使用⑥螺絲固定
- 
可於掛板任意孔位使用S掛鉤
- 
可於掛板任意孔位使用掛層板⑫
- 
桌面高度為755mm

掛衣架 Garment Rack

- 
將掛板對齊側板孔位後從內側鎖上⑥螺絲
(安裝於左右側皆可)
- 
將掛桿穿過上方指定孔位並固定
- 
掛衣桿可於各個床使用階段安裝使用，如空間受限亦可不安裝使用

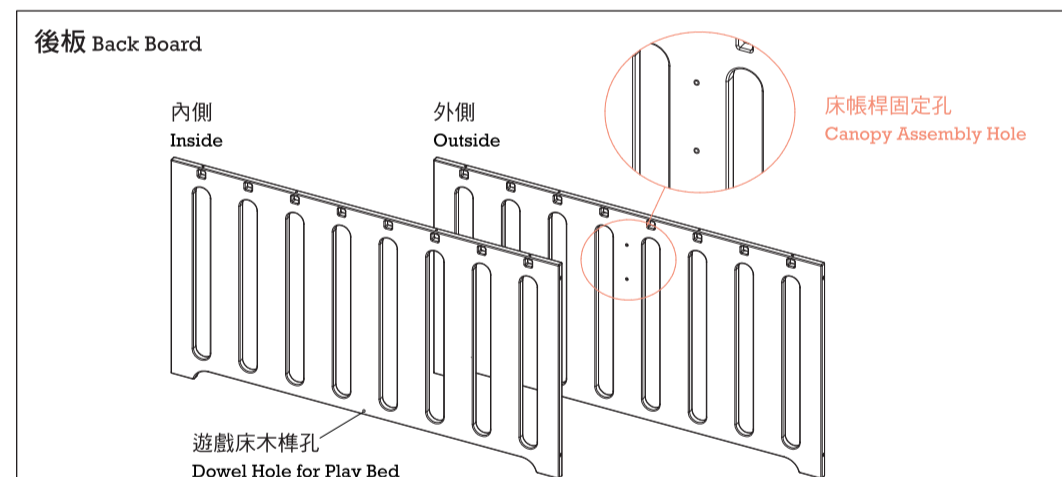
請於組裝前檢查商品零件是否完整，經組裝後恕不接受退換貨。
Please ensure that you check all parts are provided before assembling. It is not refundable once assembled.

重要提醒：此產品的安裝需要兩個成人。
IMPORTANT: 2 adults assembly required.

請確保所有零件都正常安裝與調整完畢後，再使用本產品。
Do not use the product unless all components are correctly fitted and adjusted.

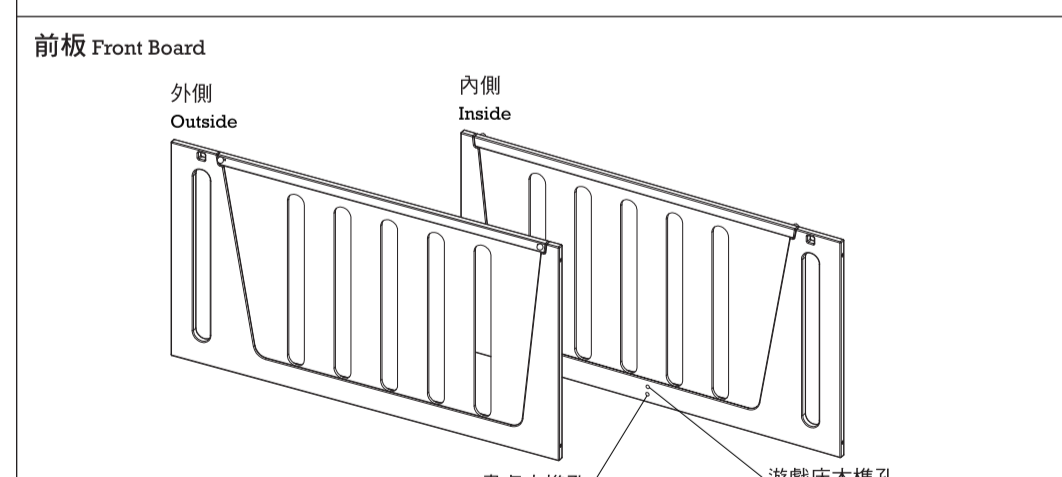
安裝注意事項 Notice 安裝前請確認零件方向性，避免安裝錯誤。

後板 Back Board



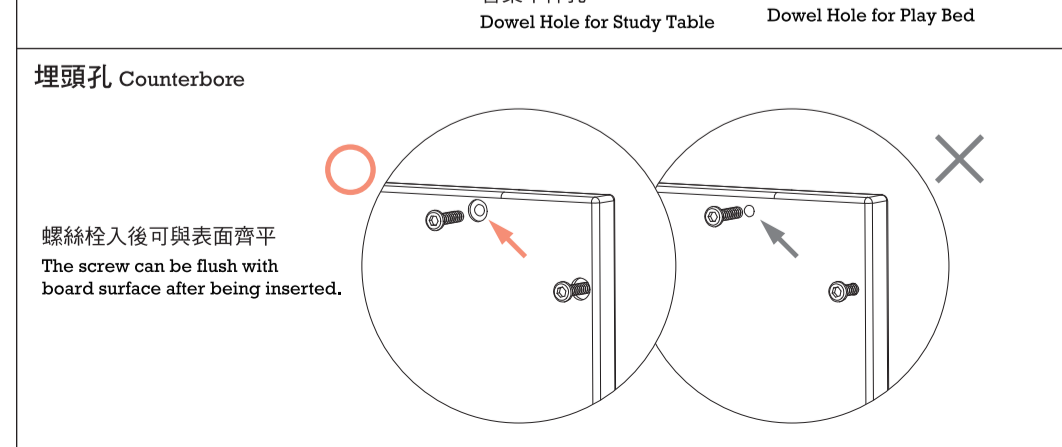
內側 Inside 外側 Outside
遊戲床木榫孔 Dowel Hole for Play Bed

前板 Front Board



內側 Inside 外側 Outside
書桌木榫孔 Dowel Hole for Study Table 遊戲床木榫孔 Dowel Hole for Play Bed

埋頭孔 Counterbore



螺絲插入後可與表面齊平
The screw can be flush with board surface after being inserted.

- 於後板內側下方孔位安裝木榫
- 將前板與小前板分離，並於靠底部孔位安裝木榫
- 使用木榫結合兩片掛板
- 結合掛層板