



FLAT BACKS HOTFIX

Flat Backs Hotfix are loose crystal elements with a flat reverse side that has been pre-coated with a heat-sensitive glue. These Flat Backs can be easily applied to a large range of textile carrier materials using heat to produce a durable and long-lasting crystal effect.

Flat Backs Hotfix are available in a multitude of colors, shapes, and cuts. The increased light reflection and warmer appearance of the Flat Back Rose are achieved through a special silver mirror on the reverse side.

The most innovative single item in this product group is art. 2078 XIRIUS Rose, with the most progressive and unique cut on the market: multilayer cut technology, producing the inspiring XIRIUS star design. Superior shine and rich, well-balanced refraction of light redefine the market standard.

Swarovski's outstanding quality in crystal elements is underlined by the highest precision in table size and diameter.

ALPHABETICAL ORDER

Amethyst (204)
 Aquamarine (202)
 Black Diamond (215)
 Black Diamond Dorado Z (215 DORZ)
 Black Diamond Light Chrome Z (215 LTCHZ)
 Black Diamond Shimmer (215 SHIM)
 Blue Zircon (229)
 Blue Zircon Satin (229 SAT)
 Blue Zircon Shimmer (229 SHIM)
 Blush Rose (257)
 Burgundy (515)
 Burgundy Dorado Z (515 DORZ)
 Burgundy Light Chrome Z (515 LTCHZ)
 Capri Blue (243)
 Chalkwhite (279)
 Chrysolite (238)
 Citrine (249)
 Citrine Shimmer (249 SHIM)
 Cobalt (369)
 Cobalt Shimmer (369 SHIM)
 Crystal (001)
 Crystal Shimmer (001 SHIM)
 Crystal Army Green DeLite (001 L130D)*
 Crystal Aurore Boreale (001 AB)
 Crystal Azure Blue (001 L112S)
 Crystal Bermuda Blue (001 BBL)
 Crystal Black Patina (001 BLAPA)
 Crystal Blue Shade (001 BLSH)
 Crystal Bronze Pearl (001 295)
 Crystal Burgundy DeLite (001 L132D)*
 Crystal Buttercup (001 L124S)
 Crystal Cappuccino DeLite (001 L133D)*
 Crystal Copper (001 COP)
 Crystal Creampearl (001 291)
 Crystal Dark Grey Pearl (001 617)
 Crystal Dark Grey (001 L111S)
 Crystal Dark Red (001 L108S)
 Crystal Dorado (001 DOR)
 Crystal Dorado Z (001 DORZ)
 Crystal Golden Shadow (001 GSHA)
 Crystal Hotfix Transparent (001 HFT)²
 Crystal Iridescent Dove Grey Pearl (001 954)
 Crystal Iridescent Green (001 IRIG)
 Crystal Ivory Cream (001 L106S)
 Crystal Light Chrome (001 LTCH)
 Crystal Light Chrome Z (001 LTCHZ)
 Crystal Light Coral (001 L116S)
 Crystal Light Grey DeLite (001 L129D)*
 Crystal Light Grey Pearl (001 616)
 Crystal Lilac (001 L126S)
 Crystal Lime (001 L125S)
 Crystal Luminous Green (001 LUMG)
 Crystal Meridian Blue (001 MBL)

Crystal Metallic Blue (001 METBL)
 Crystal Metallic Light Gold (001 MLGLD)
 Crystal Metallic Sunshine (001 METSH)
 Crystal Mint Green (001 L115S)
 Crystal Moonlight (001 MOL)
 Crystal Nacre (001 191)
 Crystal Ochre DeLite (001 L131D)*
 Crystal Paradise Shine (001 PARSH)*
 Crystal Peony Pink (001 L113S)
 Crystal Rosaline Pearl (001 294)
 Crystal Rainbow Dark (001 RABDK)
 Crystal Rose Gold (001 ROGL)
 Crystal Rose Gold Pearl (001 769)
 Crystal Rose Patina (001 ROSPA)
 Crystal Royal Blue (001 L110S)
 Crystal Royal Green (001 L109S)
 Crystal Royal Red (001 L107S)
 Crystal Scarabaeus Green (001 SCGR)***
 Crystal Silver Night (001 SINI)
 Crystal Silver Shade (001 SSHA)
 Crystal Summer Blue (001 L114S)
 Crystal Transmission Hotfix Transparent (001 TRA HFT)
 Crystal Vintage Gold Pearl (001 651)
 Crystal Volcano (001 VOL)
 Crystal White Pearl (001 650)
 Dark Indigo (288)
 Denim Blue (266)
 Denim Blue Dorado Z (266 DORZ)
 Denim Blue Light Chrome Z (266 LTCHZ)
 Emerald (205)
 Erinite (360)
 Erinite Shimmer (360 SHIM)
 Fern Green (291)
 Fireopal (237)²
 Fuchsia (502)
 Fuchsia Shimmer (502 SHIM)
 Graphite (253)
 Greige (284)
 Greige Dorado Z (284 DORZ)
 Greige Light Chrome Z (284 LTCHZ)
 Hyacinth (236)
 Hyacinth Shimmer (236 SHIM)
 Indian Pink (289)
 Indian Siam (327)²
 Jet (280)
 Jet Aurore Boreale (280 AB)
 Jet Dorado Z (280 DORZ)
 Jet Hematite (280 HEM)
 Jet Light Chrome Z (280 LTCHZ)
 Jet Nut (280 NUT)
 Jonquil (213)
 Jonquil Aurore Boreale (213 AB)
 Khaki (550)

Khaki Dorado Z (550 DORZ)
 Khaki Light Chrome Z (550 LTCHZ)
 Light Amethyst (212)
 Light Colorado Topaz (246)
 Light Colorado Topaz Shimmer (246 SHIM)
 Light Grey Opal (383)
 Light Peach (362)
 Light Rose (223)
 Light Rose Aurore Boreale (223 AB)
 Light Sapphire (211)
 Light Sapphire Shimmer (211 SHIM)
 Light Siam (227)
 Light Siam Aurore Boreale (227 AB)
 Light Siam Dorado Z (227 DORZ)
 Light Siam Light Chrome Z (227 LTCHZ)
 Light Siam Shimmer (227 SHIM)
 Light Silk (261)
 Light Topaz (226)
 Light Topaz Shimmer (226 SHIM)
 Light Turquoise (263)
 Majestic Blue (296)¹
 Montana (207)
 Olivine (228)
 Pacific Opal (390)
 Padparadscha (542)
 Peridot (214)
 Peridot Shimmer (214 SHIM)
 Provence Lavender (283)
 Purple Velvet (277)
 Rose (209)
 Rose Peach (262)
 Ruby (501)
 Sapphire (206)
 Sapphire Aurore Boreale (206 AB)
 Sapphire Satin (206 SAT)
 Scarlet (276)
 Siam (208)
 Siam Shimmer (208 SHIM)
 Silk (391)
 Silk Shimmer (391 SHIM)
 Smoked Topaz (220)
 Sunflower (292)
 Tangerine (259)
 Tangerine Shimmer (259 SHIM)
 Tanzanite (539)
 Topaz (203)
 Topaz Shimmer (203 SHIM)
 Vintage Rose (319)
 White Opal (234)
 White Opal Dorado Z (234 DORZ)
 White Opal Light Chrome Z (234 LTCHZ)
 Yellow Opal (231)

For details on available colors and effects for each article within the product groups, please see the product matrix of the respective item in the Collection 2018.

For color and effect samples, please see the corresponding color chart.

The plating resistance of effects is tested according to Swarovski's plating guidelines (SWAROVSKI-PROFESSIONAL.COM). Customers are advised to carry out their own tests if their plating parameters diverge from Swarovski plating guidelines.

* Crystals are not resistant to plating and similar processing.

** Crystals are resistant to plating only if they are F-foiled.

*** designed by Jean Paul Gaultier

¹ Majestic Blue's intense ultramarine hue is difficult to recreate accurately in print due to the fact that the CMYK color spectrum is used in the printing process.

In order to get a truer impression of its color, please use RGB digital pictures or, ideally, ask for actual samples.

² Only available in limited sizes.

³ In these colors art. 2088 is available as a foiled or unfoiled version.

Classic Colors/Effects: This color range offers a wide choice of traditional Swarovski crystal colors and effects.

Exclusive Colors/Effects: This color range is offered exclusively by Swarovski.

Colors and effects can appear different when illuminated with different light sources. Swarovski uses standard light source D50 for color decision and comparison. Slight changes in shades are unavoidable. Colors may vary according to cut and foiling.

The composition of Advanced Crystal is compliant with regulatory industry norms and laws regarding the restriction or prohibition of certain substances in the most relevant segments of our customers. Please note that the compliance of the crystal colors Citrine, Fireopal, Hyacinth, Light Siam, Siam, and Yellow Opal varies according to certain industry regulations. Those regulations are indicated with * in the compliance overview. Indian Siam and Scarlet (option to Lt. Siam) conform to all CLEAR-lists.

For further information please visit SWAROVSKI-PROFESSIONAL.COM

© 2018 D. Swarovski Distribution GmbH

SUMMARY

1 2



2000 A HF
SS 3



2034 A HF
SS 10, 20, 48



2035 M HF
6, 10 mm



CORE ASSORTMENT
2038 A HF
SS 5, 6, 8, 10



2038/I A HF
SS 10



CORE ASSORTMENT
2078 A HF
SS 12, 16, 20, 30, 34,
40, 48



2078/H A HF
SS 16, 20, 34



2078/I A HF
SS 16, 20, 34



2080/4 HF
SS 10, 16, 34



2080/H M HF
SS 34



2081/2 M HF
SS 10, 16, 34



CORE ASSORTMENT
2200 M HF
4x2, 8x4 mm

1 2



2200/I M HF
8x4 mm



2201 M HF
8x3.5, 14x6 mm



2205 M HF
7.5, 10, 14 mm



2208/4 M HF
6x3.5, 8x4.5, 10x5.5 mm



CORE ASSORTMENT
2300 M HF
8x4.8 mm



2300/I M HF
8x4.8 mm



2303
8x5, 14x9 mm



2304 M HF
10x2.8 mm



2308/4 M HF
6x3.5, 8x5, 10x6 mm



CORE ASSORTMENT
2400 M HF
2.2, 3, 4, 6, 10 mm



2402 M HF
4, 6, 10 mm



2403 M HF
4, 6, 10 mm

1 2



2408/4 M HF
4, 6, 8 mm



2493 M HF
8, 10, 12 mm



2494 M HF
6, 8, 10.5 mm



2510 M HF
5x2.5 mm



2555 M HF
8x2.6, 12x4, 15x5 mm



2602
8x5.5, 14x10 mm



2610 M HF
6x4 mm



2709 M HF
10x6 mm



2711 M HF
3.3, 6 mm



2711/I M HF
6 mm

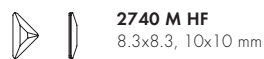


2714 M HF
6, 10 mm

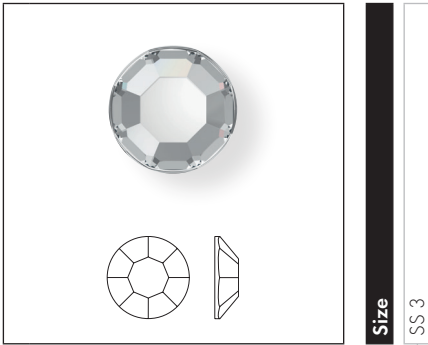


2716 M HF
5 mm

SUMMARY



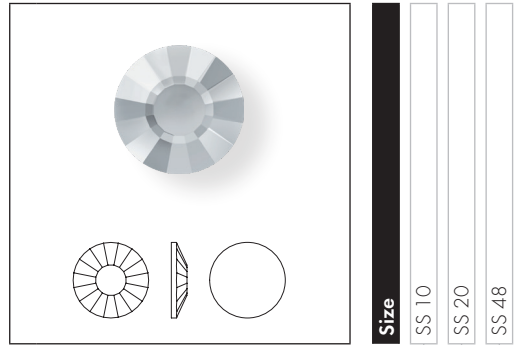
2000 Rose Halfix



Size
SS 3

- Crystal**
- Crystal A HF (001)
- Colors**
- Plain Colors**
- Amethyst A HF (204)
- Aquamarine A HF (202)
- Black Diamond A HF (215)
- Jet A HF (280)
- Light Colorado Topaz A HF (246)
- Light Rose A HF (223)
- Montana A HF (207)
- Peridot A HF (214)
- Smoked Topaz A HF (220)
- Crystal Effects**
- Transparent Effects**
- Crystal AB A HF (001 AB)
- Crystal Golden Shadow A HF (001 GSHA)
- Crystal Silver Shade A HF (001 SSHA)
- Color Effects**
- Metallic Effects**
- Jet Hematite A HF (280 HEM)

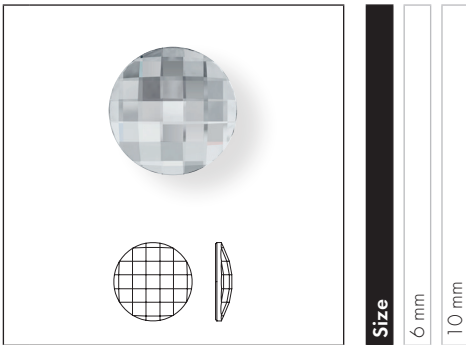
2034 Concise Flat Back



Size
SS 10
SS 20
SS 48

- Crystal**
- Crystal A HF (001)
- Colors**
- Plain Colors**
- Jet A HF (280)
- Light Siam A HF (227)
- Crystal Effects**
- Transparent Effects**
- Crystal AB A HF (001 AB)
- Crystal Golden Shadow A HF (001 GSHA)
- Metallic Effects**
- Crystal Light Chrome A HF (001 LTCH)
- Crystal Patina Effect**
- Crystal Black Patina A HF (001 BLAPA)
- Crystal Rose Patina A HF (001 ROSPA)
- Color Effects**
- Transparent Effects**
- Light Siam AB A HF (227 AB)

2035 Chessboard Circle Flat Back

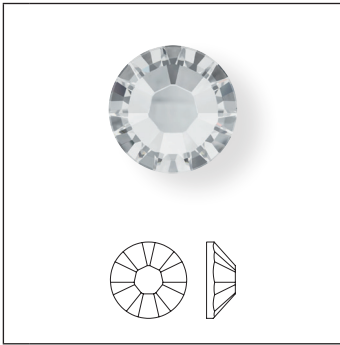


Size
6 mm
10 mm

- Crystal**
- Crystal M HF (001)
- Crystal Effects**
- Transparent Effects**
- Crystal AB M HF (001 AB)

CORE ASSORTMENT

2038 XILION Rose Hotfix



Size	SS 5	SS 6	SS 8	SS 10
------	------	------	------	-------

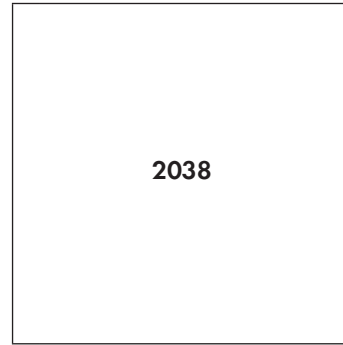
Crystal

- Crystal A HF (001)
- Crystal Hotfix Transparent (001 HFT)

Colors

Plain Colors

- Amethyst A HF (204)
- Aquamarine A HF (202)
- Black Diamond A HF (215)
- Blue Zircon A HF (229)
- Blush Rose A HF (257)
- Burgundy A HF (515)
- Capri Blue A HF (243)
- Chalkwhite A HF (279)
- Chrysolite A HF (238)
- Citrine A HF (249)
- Cobalt A HF (369)
- Dark Indigo A HF (288)
- Denim Blue A HF (266)
- Emerald A HF (205)
- Erinite A HF (360)
- Fern Green A HF (291)
- Fireopal A HF (237)
- Fuchsia A HF (502)
- Graphite A HF (253)
- Greige A HF (284)
- Hyacinth A HF (236)
- Indian Pink A HF (289)
- Indian Siam A HF (327)
- Jet A HF (280)
- Jonquil A HF (213)
- Khaki A HF (550)
- Light Amethyst A HF (212)
- Light Colorado Topaz A HF (246)
- Light Peach A HF (362)
- Light Rose A HF (223)
- Light Sapphire A HF (211)
- Light Siam A HF (227)
- Light Silk A HF (261)
- Light Topaz A HF (226)
- Light Turquoise A HF (263)

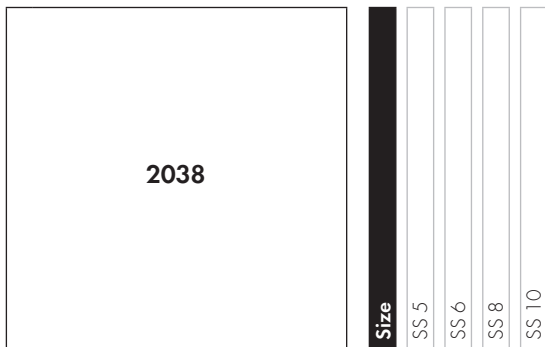


Size	SS 5	SS 6	SS 8	SS 10
------	------	------	------	-------

2038

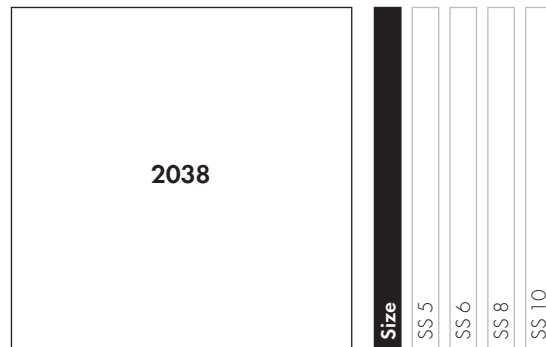
- Majestic Blue A HF (296)
 - Montana A HF (207)
 - Olivine A HF (228)
 - Padparadscha A HF (542)
 - Peridot A HF (214)
 - Provence Lavender A HF (283)
 - Purple Velvet A HF (277)
 - Rose A HF (209)
 - Rose Peach A HF (262)
 - Ruby A HF (501)
 - Sapphire A HF (206)
 - Scarlet A HF (276)
 - Siam A HF (208)
 - Silk A HF (391)
 - Smoked Topaz A HF (220)
 - Sunflower A HF (292)
 - Tangerine A HF (259)
 - Tanzanite A HF (539)
 - Topaz A HF (203)
 - Vintage Rose A HF (319)
- Opal Colors**
- Light Grey Opal A HF (383)
 - Pacific Opal A HF (390)
 - White Opal A HF (234)
 - Yellow Opal A HF (231)
- Crystal Effects**
- Transparent Effects**
- Crystal AB A HF (001 AB)
 - Crystal Blue Shade A HF (001 BLSH)
 - Crystal Copper A HF (001 COP)
 - Crystal Golden Shadow A HF (001 GSHA)
 - Crystal Luminous Green A HF (001 LUMG)
 - Crystal Meridian Blue A HF (001 MBL)
 - Crystal Moonlight A HF (001 MOL)
 - Crystal Paradise Shine A HF (001 PARSH)
 - Crystal Silver Night A HF (001 SINI)
 - Crystal Silver Shade A HF (001 SSHA)
 - Crystal Transmission HFT (001 TRA HFT)
 - Crystal Volcano A HF (001 VOL)

◆ Core Assortment



Size
SS 5
SS 6
SS 8
SS 10

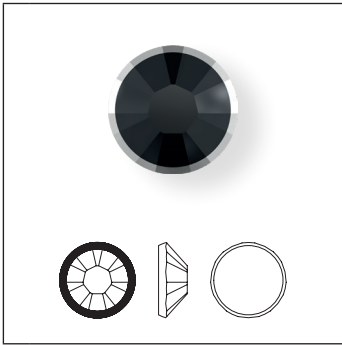
- Metallic Effects**
- Crystal Dorado A HF (001 DOR)
- Crystal Light Chrome A HF (001 LTCH)
- Crystal Metallic Blue A HF (001 METBL)
- Crystal Metallic Light Gold A HF (001 MGLD)
- Crystal Metallic Sunshine A HF (001 METSH)
- Crystal Rainbow Dark A HF (001 RABDK)
- Crystal Rose Gold A HF (001 ROGL)
- Crystal Scarabæus Green***A HF (001 SCGR)
- Crystal Lacquer^{PRO} Effects**
- Crystal Shiny Lacquer^{PRO} Effects**
- Crystal Azure Blue HFT (001 L112S)
- Crystal Buttercup HFT (001 L124S)
- Crystal Dark Grey HFT (001 L111S)
- Crystal Dark Red HFT (001 L108S)
- Crystal Ivory Cream HFT (001 L106S)
- Crystal Light Coral HFT (001 L116S)
- Crystal Lilac HFT (001 L126S)
- Crystal Lime HFT (001 L125S)
- Crystal Mint Green HFT (001 L115S)
- Crystal Peony Pink HFT (001 L113S)
- Crystal Royal Blue HFT (001 L110S)
- Crystal Royal Green HFT (001 L109S)
- Crystal Royal Red HFT (001 L107S)
- Crystal Summer Blue HFT (001 L114S)
- Crystal Lacquer^{PRO} DeLite Effects**
- Crystal Army Green DeLite HFT (001 L130D)
- Crystal Burgundy DeLite HFT (001 L132D)
- Crystal Cappuccino DeLite HFT (001 L133D)
- Crystal Light Grey DeLite HFT (001 L129D)
- Crystal Ochre DeLite HFT (001 L131D)
- Color Effects**
- Transparent Effects**
- Black Diamond Shimmer A HF (215 SHIM)
- Blue Zircon Satin A HF (229 SAT)
- Blue Zircon Shimmer A HF (229 SHIM)
- Citrine Shimmer A HF (249 SHIM)
- Cobalt Shimmer A HF (369 SHIM)
- Crystal Shimmer A HF (001 SHIM)



Size
SS 5
SS 6
SS 8
SS 10

- Erinite Shimmer A HF (360 SHIM)
- Fuchsia Shimmer A HF (502 SHIM)
- Hyacinth Shimmer A HF (236 SHIM)
- Jet AB A HF (280 AB)
- Jonquil AB A HF (213 AB)
- Light Colorado Topaz Shimmer A HF (246 SHIM)
- Light Rose AB A HF (223 AB)
- Light Sapphire Shimmer A HF (211 SHIM)
- Light Siam AB A HF (227 AB)
- Light Siam Shimmer A HF (227 SHIM)
- Light Topaz Shimmer A HF (226 SHIM)
- Peridot Shimmer A HF (214 SHIM)
- Sapphire AB A HF (206 AB)
- Sapphire Satin A HF (206 SAT)
- Siam Shimmer A HF (208 SHIM)
- Silk Shimmer A HF (391 SHIM)
- Tangerine Shimmer A HF (259 SHIM)
- Topaz Shimmer A HF (203 SHIM)
- Metallic Effects**
- Jet Hematite A HF (280 HEM)
- Jet Nut A HF (280 NUT)

2038/I Rimmed Flat Back



Size

SS 10

Crystal Effects

Metallic Effects

Crystal & Dorado Z A HF (001 DORZ)

Crystal & Lt. Chrome Z A HF (001 LTCHZ)

Color Effects

Metallic Effects

Black Diamond & Dorado Z A HF (215 DORZ)

Black Diamond & Lt. Chrome Z A HF (215 LTCHZ)

Burgundy & Dorado Z A HF (515 DORZ)

Burgundy & Lt. Chrome Z A HF (515 LTCHZ)

Denim Blue & Dorado Z A HF (266 DORZ)

Denim Blue & Lt. Chrome Z A HF (266 LTCHZ)

Greige & Dorado Z A HF (284 DORZ)

Greige & Lt. Chrome Z A HF (284 LTCHZ)

Jet & Dorado Z A HF (280 DORZ)

Jet & Lt. Chrome Z A HF (280 LTCHZ)

Khaki & Dorado Z A HF (550 DORZ)

Khaki & Lt. Chrome Z A HF (550 LTCHZ)

Light Siam & Dorado Z A HF (227 DORZ)

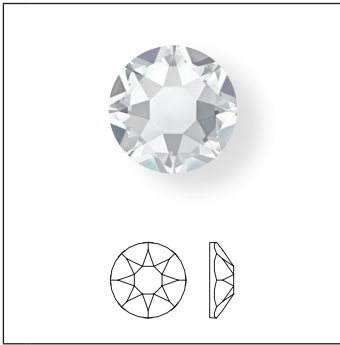
Light Siam & Lt. Chrome Z A HF (227 LTCHZ)

White Opal & Dorado Z A HF (234 DORZ)

White Opal & Lt. Chrome Z A HF (234 LTCHZ)

CORE ASSORTMENT

2078 XIRIUS Rose Hotfix



Size	SS 12	SS 16	SS 20	SS 30	SS 34	SS 40	SS 48
------	-------	-------	-------	-------	-------	-------	-------

Crystal

Crystal A HF (001)	◆	◆	◆	◆	◆	■	■
Crystal Hotfix Transparent (001 HFT)		■					

Colors

Plain Colors

Amethyst A HF (204)	◆	◆		◆	◆		
Aquamarine A HF (202)	◆	◆		◆	◆		
Black Diamond A HF (215)	■	■	■	■	■		
Blue Zircon A HF (229)	■	■	■		■		
Blush Rose A HF (257)	■	■	■		■		
Burgundy A HF (515)	■	■	■		■		
Capri Blue A HF (243)	■	■	■		■		
Chalkwhite A HF (279)	■	■	■		■		
Chrysolite A HF (238)	■	■	■		■		
Citrine A HF (249)	■	■	■		■		
Cobalt A HF (369)	■	■	■		■		
Dark Indigo A HF (288)	■	■	■		■		
Denim Blue A HF (266)	■	■	■		■		
Emerald A HF (205)	◆	◆		◆	◆		
Erinite A HF (360)	■	■	■		■		
Fern Green A HF (291)	■	■	■		■		
Fireopal A HF (237)	■	■	■		■		
Fuchsia A HF (502)	■	■	■		■		
Graphite A HF (253)	■	■	■		■		
Greige A HF (284)	■	■	■		■		
Hyacinth A HF (236)	■	■	■		■		
Indian Pink A HF (289)	■	■	■		■		
Indian Siam A HF (327)	■	■	■		■		
Jet A HF (280)	◆	◆	◆	◆	◆		
Jonquil A HF (213)	■	■	■		■		
Khaki A HF (550)	■	■	■		■		
Light Amethyst A HF (212)	■	■	■		■		
Light Colorado Topaz A HF (246)	◆	◆	◆	◆	◆		
Light Peach A HF (362)	■	■	■		■		
Light Rose A HF (223)	■	■	■		■		
Light Sapphire A HF (211)	■	■	■		■		
Light Siam A HF (227)	■	■	■	■	■		
Light Silk A HF (261)	■	■	■		■		
Light Topaz A HF (226)	■	■	■		■		
Light Turquoise A HF (263)	■	■	■		■		

◆ Core Assortment

2078		Size	SS 12	SS 16	SS 20	SS 30	SS 34	SS 40	SS 48
	Majestic Blue A HF (296)		■	■	■		■		
	Montana A HF (207)		■	■	■	■	■		
	Olivine A HF (228)		■	■	■		■		
	Padparadscha A HF (542)		■	■	■		■		
	Peridot A HF (214)		■	■	■		■		
	Provence Lavender A HF (283)		■	■	■		■		
	Purple Velvet A HF (277)		■	■	■		■		
	Rose A HF (209)		■	■	■		■		
	Rose Peach A HF (262)		■	■	■		■		
	Ruby A HF (501)		■	■	■		■		
	Sapphire A HF (206)		■	■	■		■		
	Scarlet A HF (276)		◆	◆	◆	◆	◆		
	Siam A HF (208)		■	■	■		■		
	Silk A HF (391)		■	■	■		■		
	Smoked Topaz A HF (220)		■	■	■		■		
	Sunflower A HF (292)		■	■	■		■		
	Tangerine A HF (259)		■	■	■		■		
	Tanzanite A HF (539)		■	■	■		■		
	Topaz A HF (203)		■	■	■		■		
	Vintage Rose A HF (319)		■	■	■		■		
Opal Colors									
	Light Grey Opal A HF (383)		■	■	■		■		
	Pacific Opal A HF (390)		■	■	■		■		
	White Opal A HF (234)		■	■	■		■		
	Yellow Opal A HF (231)		■	■	■		■		
Crystal Effects									
Transparent Effects									
	Crystal AB A HF (001 AB)		■	■	■	■	■	■	■
	Crystal Blue Shade A HF (001 BLSH)		■	■	■		■		
	Crystal Copper A HF (001 COP)		■	■	■		■		
	Crystal Golden Shadow A HF (001 GSHA)		■	■	■	■	■		
	Crystal Luminous Green A HF (001 LUMG)		■	■	■		■		
	Crystal Meridian Blue A HF (001 MBL)		■	■	■		■		
	Crystal Moonlight A HF (001 MOL)		■	■	■		■		
	Crystal Paradise Shine A HF (001 PARSH)		■	■	■		■		
	Crystal Silver Night A HF (001 SINI)		■	■	■		■		
	Crystal Silver Shade A HF (001 SSHA)		■	■	■		■		
	Crystal Transmission HFT (001 TRA HFT)		■	■	■		■		
	Crystal Volcano A HF (001 VOL)		■	■	■		■		

2078		Size	SS 12	SS 16	SS 20	SS 30	SS 34	SS 40	SS 48
Metallic Effects									
	Crystal Dorado A HF (001 DOR)		■	■	■		■		
	Crystal Light Chrome A HF (001 LTCH)		■	■	■		■		
	Crystal Metallic Blue A HF (001 METBL)		■	■	■		■		
	Crystal Metallic Light Gold A HF (001 MGLD)		■	■	■		■		
	Crystal Metallic Sunshine A HF (001 METSH)		■	■	■		■		
	Crystal Rainbow Dark A HF (001 RABDK)		■	■	■		■		
	Crystal Rose Gold A HF (001 ROGL)		■	■	■		■		
	Crystal Scarabæus Green***A HF (001 SCGR)		■	■	■		■		
Crystal Lacquer^{PRO} Effects									
Crystal Shiny Lacquer^{PRO} Effects									
	Crystal Azure Blue HFT (001 L112S)			■			■		
	Crystal Buttercup HFT (001 L124S)			■			■		
	Crystal Dark Grey HFT (001 L111S)			■			■		
	Crystal Dark Red HFT (001 L108S)			■			■		
	Crystal Ivory Cream HFT (001 L106S)			■			■		
	Crystal Lilac HFT (001 L126S)			■			■		
	Crystal Lime HFT (001 L125S)			■			■		
	Crystal Light Coral HFT (001 L116S)			■			■		
	Crystal Mint Green HFT (001 L115S)			■			■		
	Crystal Peony Pink HFT (001 L113S)			■			■		
	Crystal Royal Blue HFT (001 L110S)			■			■		
	Crystal Royal Green HFT (001 L109S)			■			■		
	Crystal Royal Red HFT (001 L107S)			■			■		
	Crystal Summer Blue HFT (001 L114S)			■			■		
Crystal Lacquer^{PRO} DeLite Effects									
	Crystal Army Green DeLite HFT (001 L130D)			■			■		
	Crystal Burgundy DeLite HFT (001 L132D)			■			■		
	Crystal Cappuccino DeLite HFT (001 L133D)			■			■		
	Crystal Light Grey DeLite HFT (001 L129D)			■			■		
	Crystal Ochre DeLite HFT (001 L131D)			■			■		
Color Effects									
Transparent Effects									
	Black Diamond Shimmer A HF (215 SHIM)			■	■		■		
	Blue Zircon Satin A HF (229 SAT)		■	■	■		■		
	Blue Zircon Shimmer A HF (229 SHIM)			■	■		■		
	Citrine Shimmer A HF (249 SHIM)			■	■		■		
	Cobalt Shimmer A HF (369 SHIM)			■	■		■		
	Crystal Shimmer A HF (001 SHIM)			■	■		■		

*** designed by Jean Paul Gaultier

2078		Size	SS 12	SS 16	SS 20	SS 30	SS 34	SS 40	SS 48
	Erinite Shimmer A HF (360 SHIM)			■	■		■		
	Fuchsia Shimmer A HF (502 SHIM)			■	■		■		
	Hyacinth Shimmer A HF (236 SHIM)			■	■		■		
	Jet AB A HF (280 AB)		■	■	■		■		
	Jonquil AB A HF (213 AB)		■	■	■		■		
	Light Colorado Topaz Shimmer A HF (246 SHIM)			■	■		■		
	Light Rose AB A HF (223 AB)		■	■	■		■		
	Light Sapphire Shimmer A HF (211 SHIM)			■	■		■		
	Light Siam AB A HF (227 AB)		■	■	■		■		
	Light Siam Shimmer A HF (227 SHIM)			■	■		■		
	Light Topaz Shimmer A HF (226 SHIM)			■	■		■		
	Peridot Shimmer A HF (214 SHIM)			■	■		■		
	Sapphire AB A HF (206 AB)		■	■	■		■		
	Sapphire Satin A HF (206 SAT)		■	■	■		■		
	Siam Shimmer A HF (208 SHIM)			■	■		■		
	Silk Shimmer A HF (391 SHIM)			■	■		■		
	Tangerine Shimmer A HF (259 SHIM)			■	■		■		
	Topaz Shimmer A HF (203 SHIM)			■	■		■		
Metallic Effects									
	Jet Hematite A HF (280 HEM)		■	■	■	■	■		
	Jet Nut A HF (280 NUT)		■	■	■		■		

FRAMED FLAT BACKS

2078/H Framed Flat Back¹



Size & color of ring
SS 16 Gold (GR)
SS 16 Silver (SR)
SS 16 Gun Metal (GM)
SS 20 Gold (GR)
SS 20 Silver (SR)
SS 20 Gun Metal (GM)
SS 34 Gold (GR)
SS 34 Silver (SR)
SS 34 Gun Metal (GM)

Crystal
Crystal A HF (001)
Colors
Plain Colors
Black Diamond A HF (215)
Denim Blue A HF (266)
Jet A HF (280)
Light Colorado Topaz A HF (246)
Light Rose A HF (223)
Light Siam A HF (227)
Silk A HF (391)
Crystal Effects
Transparent Effects
Crystal AB A HF (001 AB)
Crystal Golden Shadow A HF (001 GSHA)
Crystal Silver Night A HF (001 SINI)
Crystal Silver Shade A HF (001 SSHA)
Metallic Effects
Crystal Light Chrome A HF (001 LTCH)
Crystal Scarabaeus Green*** A HF (001 SCGR)
Color Effects
Transparent Effects
Jet Hematite A HF (280 HEM)

FRAMED FLAT BACKS

*** designed by Jean Paul Gaultier

¹ General lead time: approx. 3 weeks.

The lead time for sampling quantities of up to 2 packing units is approx. 3 weeks.

For special or rush orders, please get in touch with your customer service representative.

2080/H Framed Cabochon



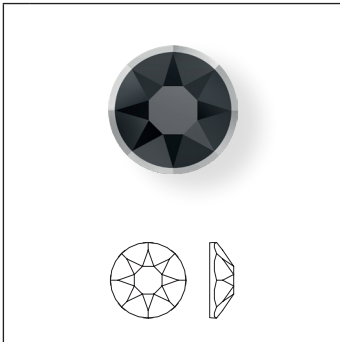
Size & color of ring

SS 34 gold (GR)
SS 34 silver (SR)
SS 34 gun metal (GM)

Colors	
Plain Colors	
● Jet M HF (280)	■ ■ ■
Crystal Pearl Colors	
● Crystal Nacre HF (001 191)	■ ■ ■
● Crystal Cream Pearl HF (001 291)	■ ■ ■
● Crystal White Pearl HF (001 650)	■ ■ ■
Crystal Effects	
Transparent Effects	
● Crystal Golden Shadow HF (001 GSHA)	■ ■ ■
Crystal Color Effects	
Metallic Effects	
● Jet Hematite M HF (280 HEM)	■ ■ ■

RIMMED FLAT BACK

2078/I Rimmed Flat Back



Size
SS 16
SS 20
SS 34

Crystal Effects

Metallic Effects

Crystal & Dorado Z AHF (001 DORZ)

Crystal & Lt. Chrome Z A HF (001 LTCHZ)

Color Effects

Metallic Effects

Black Diamond & Dorado Z A HF (215 DORZ)

Black Diamond & Lt. Chrome Z A HF (215 LTCHZ)

Burgundy & Dorado Z A HF (515 DORZ)

Burgundy & Lt. Chrome Z A HF (515 LTCHZ)

Denim Blue & Dorado Z A HF (266 DORZ)

Denim Blue & Lt. Chrome Z A HF (266 LTCHZ)

Greige & Dorado Z A HF (284 DORZ)

Greige & Lt. Chrome Z A HF (284 LTCHZ)

Jet & Dorado Z A HF (280 DORZ)

Jet & Lt. Chrome Z A HF (280 LTCHZ)

Khaki & Dorado Z A HF (550 DORZ)

Khaki & Lt. Chrome Z A HF (550 LTCHZ)

Light Siam & Dorado Z A HF (227 DORZ)

Light Siam & Lt. Chrome Z A HF (227 LTCHZ)

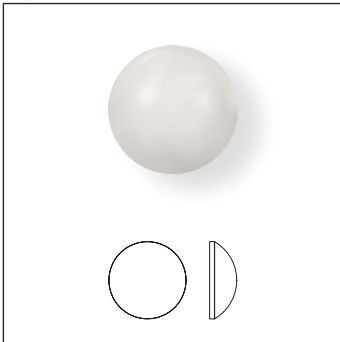
White Opal & Dorado Z A HF (234 DORZ)

White Opal & Lt. Chrome Z A HF (234 LTCHZ)

RIMMED FLAT BACKS

CABOCHONS

2080/4 Cabochon



Colors

Plain Colors

● Jet M HF (280)

Crystal Pearl Colors

● Crystal Bronze Pearl HF (001 295)

● Crystal Nacre HF (001 191)

● Crystal Creampearl HF (001 291)

● Crystal Dark Grey Pearl HF (001 617)

● Crystal Iridescent Dove Grey Pearl HF (001 954)

● Crystal Light Grey Pearl HF (001 616)

● Crystal Rose Gold Pearl HF (001 769)

● Crystal Rosaline Pearl HF (001 294)

● Crystal Vintage Gold Pearl HF (001 651)

● Crystal White Pearl HF (001 650)

Crystal Effects

Transparent Effects

● Crystal Golden Shadow HF (001 GSHA)

Metallic Effects

● Crystal Light Chrome HF (001 LTCH)

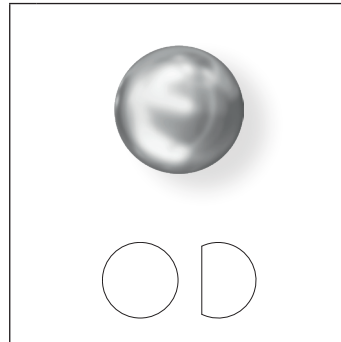
● Crystal Scarabaeus Green***HF (001 SCGR)

Crystal Color Effects

Metallic Effects

● Jet Hematite M HF (280 HEM)

2081/2 Cabochon Pearl



Colors

Plain Colors

● Jet G_PRHF (280)

Crystal Pearl Colors

● Crystal Creampearl W_PRHF (001 291)

● Crystal Iridescent Dove Grey Pearl W_PRHF (001 954)

● Crystal Nacre W_PRHF (001 191)

● Crystal Rose Gold Pearl W_PRHF (001 769)

● Crystal Vintage Gold Pearl W_PRHF (001 651)

● Crystal White Pearl W_PRHF (001 650)

Crystal Effects

Metallic Effects

● Crystal Light Chrome G_PRHF (001 LTCH)

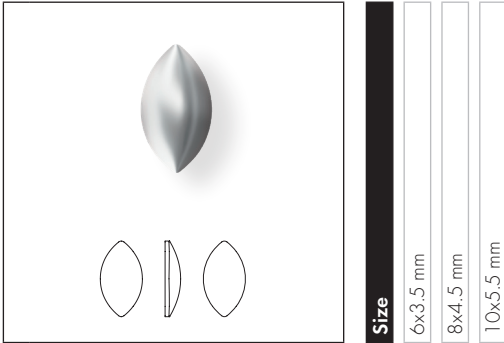
Crystal Color Effects

Metallic Effects

● Jet Hematite M G_PRHF (280 HEM)

*** designed by Jean Paul Gaultier

2208/4 Cabochon Navette



Size
6x3.5 mm
8x4.5 mm
10x5.5 mm

Colors

Plain Colors

● Jet G_PRHF (280)

Crystal Pearl Colors

● Crystal Creampearl W_PRHF (001 291)

● Crystal Nacre W_PRHF (001 191)

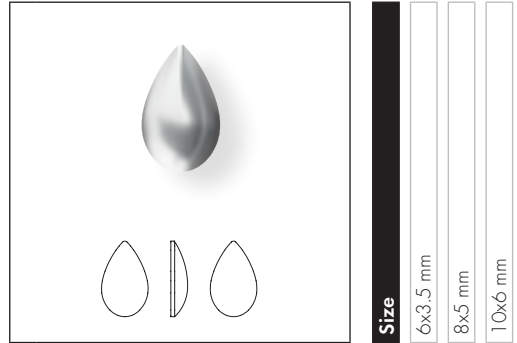
● Crystal White Pearl W_PRHF (001 650)

Crystal Color Effects

Metallic Effects

● Jet Hematite G_PRHF (280 HEM)

2308/4 Cabochon Drop



Size
6x3.5 mm
8x5 mm
10x6 mm

Colors

Plain Colors

● Jet G_PRHF (280)

Crystal Pearl Colors

● Crystal Creampearl W_PRHF (001 291)

● Crystal Nacre W_PRHF (001 191)

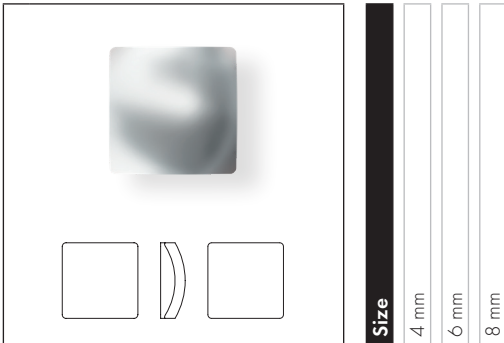
● Crystal White Pearl W_PRHF (001 650)

Crystal Color Effects

Metallic Effects

● Jet Hematite G_PRHF (280 HEM)

2408/4 Cabochon Square



Size
4 mm
6 mm
8 mm

Colors

Plain Colors

● Jet G_PRHF (280)

Crystal Pearl Colors

● Crystal Creampearl W_PRHF (001 291)

● Crystal Nacre W_PRHF (001 191)

● Crystal White Pearl W_PRHF (001 650)

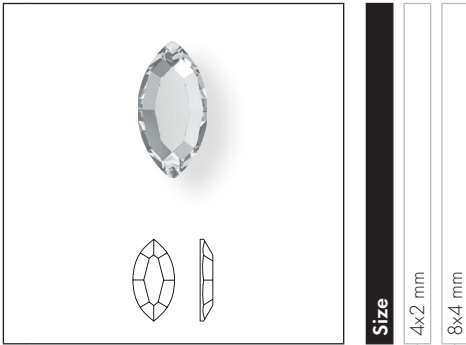
Crystal Color Effects

Metallic Effects

● Jet Hematite G_PRHF (280 HEM)

CORE ASSORTMENT

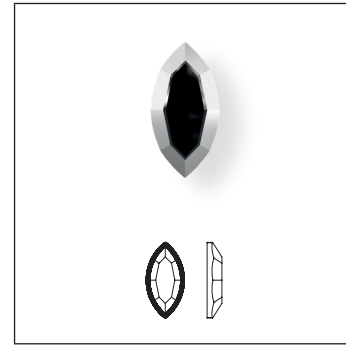
2200 Navette Flat Back



Size
4x2 mm
8x4 mm

- Crystal**
- Crystal M HF (001) ◆
- Colors**
- Plain Colors**
- Amethyst M HF (204) ◆
- Aquamarine M HF (202) ◆
- Emerald M HF (205) ◆
- Jet M HF (280) ◆
- Light Colorado Topaz M HF (246) ◆
- Scarlet M HF (276) ◆
- Crystal Effects**
- Transparent Effects**
- Crystal AB M HF (001 AB) ■
- Crystal Golden Shadow M HF (001 GSHA) ■
- Crystal Silver Shade M HF (001 SSHA) ■
- Crystal Color Effects**
- Metallic Effects**
- Jet Hematite M HF (280 HEM) ■

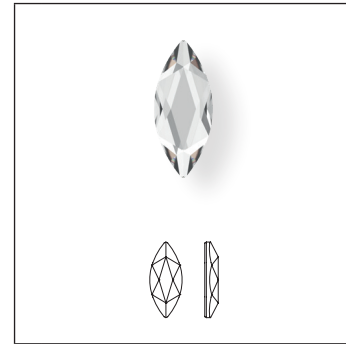
2200/1 Rimmed Navette Flat Back



Size
8x4 mm

- Crystal Effects**
- Metallic Effects**
- Crystal & Dorado Z M HF (001 DORZ) ■
- Crystal & Lt. Chrome Z M HF (001 LTCHZ) ■
- Color Effects**
- Metallic Effects**
- Jet & Dorado Z M HF (280 DORZ) ■
- Jet & Lt. Chrome Z M HF (280 LTCHZ) ■

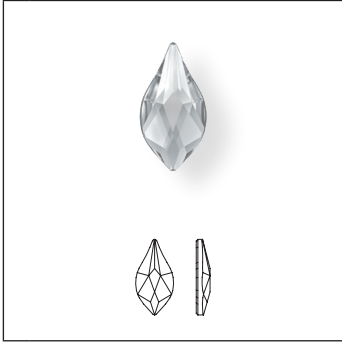
2201 Marquise Flat Back



Size
8x3.5 mm
14x6 mm

- Crystal**
- Crystal M HF (001) ■
- Colors**
- Plain Colors**
- Aquamarine M HF (202) ■
- Emerald M HF (205) ■
- Graphite M HF (253) ■
- Jet M HF (280) ■
- Sapphire M HF (206) ■
- Scarlet M HF (276) ■
- Sunflower M HF (292) ■
- Vintage Rose M HF (319) ■
- Crystal Effects**
- Transparent Effects**
- Crystal AB M HF (001 AB) ■
- Crystal Golden Shadow M HF (001 GSHA) ■
- Crystal Silver Shade M HF (001 SSHA) ■

2205 Flame Flat Back

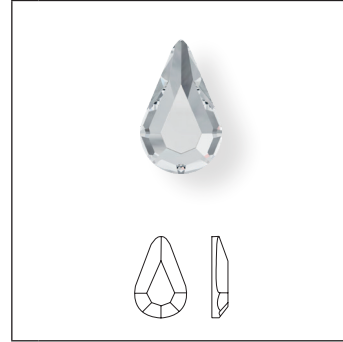


Size	7.5 mm	10 mm	14 mm
------	--------	-------	-------

- Crystal**
- Crystal M HF (001)
- Colors**
- Plain Colors**
- Fireopal M HF (237)
- Jet M HF (280)
- Light Colorado Topaz M HF (246)
- Light Siam M HF (227)
- Opal Colors**
- White Opal M HF (234)
- Crystal Effects**
- Transparent Effects**
- Crystal AB M HF (001 AB)
- Crystal Golden Shadow M HF (001 GSHA)
- Crystal Silver Night M HF (001 SINI)
- Metallic Effects**
- Crystal Iridescent Green M HF (001 IRIG)

CORE ASSORTMENT

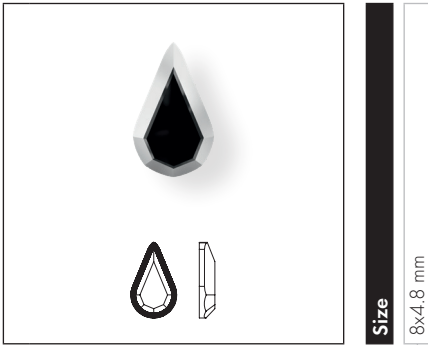
2300 Drop Flat Back



Size	8x4.8 mm
------	----------

- Crystal**
- Crystal M HF (001)
- Colors**
- Plain Colors**
- Amethyst M HF (204)
- Aquamarine M HF (202)
- Emerald M HF (205)
- Jet M HF (280)
- Light Colorado Topaz M HF (246)
- Scarlet M HF (276)
- Crystal Effects**
- Transparent Effects**
- Crystal AB M HF (001 AB)
- Crystal Golden Shadow M HF (001 GSHA)
- Color Effects**
- Metallic Effects**
- Jet Hematite M HF (280 HEM)

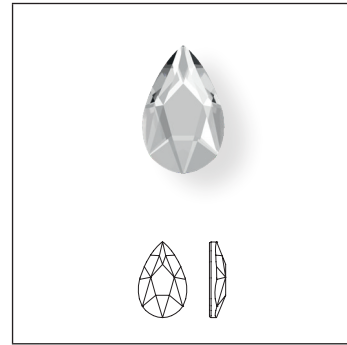
2300/I Rimmed Drop Flat Back



Size
8x4.8 mm

- Crystal Effects**
- Metallic Effects**
- Crystal & Dorado Z M HF (001 DORZ)
- Crystal & Lt. Chrome Z M HF (001 LTCHZ)
- Color Effects**
- Metallic Effects**
- Jet & Dorado Z M HF (280 DORZ)
- Jet & Lt. Chrome Z M HF (280 LTCHZ)

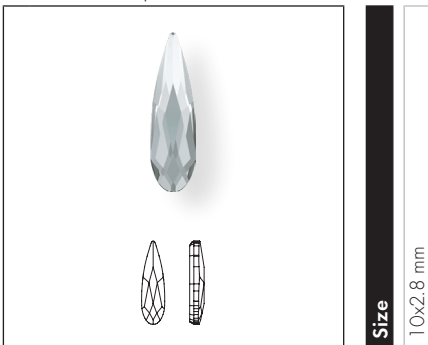
2303 Pear Flat Back



Size
8x5 mm
14x9 mm

- Crystal**
- Crystal M HF (001)
- Colors**
- Plain Colors**
- Aquamarine M HF (202)
- Emerald M HF (205)
- Graphite M HF (253)
- Jet M HF (280)
- Sapphire M HF (206)
- Scarlet M HF (276)
- Sunflower M HF (292)
- Vintage Rose M HF (319)
- Crystal Effects**
- Transparent Effects**
- Crystal AB M HF (001 AB)
- Crystal Golden Shadow M HF (001 GSHA)
- Crystal Silver Shade M HF (001 SSHA)

2304 Raindrop Flat Back



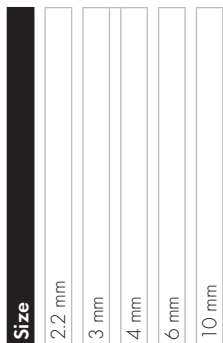
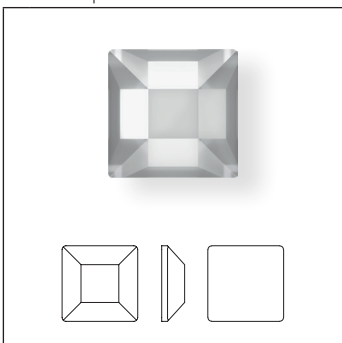
Size
10x2.8 mm

- Crystal**
- Crystal M HF (001)
- Colors**
- Plain Colors**
- Jet M HF (280)
- Light Siam M HF (227)
- Crystal Effects**
- Transparent Effects**
- Crystal AB M HF (001 AB)
- Crystal Golden Shadow M HF (001 GSHA)
- Crystal Luminous Green M HF (001 LUMG)
- Crystal Silver Night M HF (001 SINI)

SQUARE FAMILY

CORE ASSORTMENT

2400 Square Flat Back



Crystal

Crystal M HF (001)

Colors

Plain Colors

Amethyst M HF (204)

Aquamarine M HF (202)

Emerald M HF (205)

Jet M HF (280)

Light Colorado Topaz M HF (246)

Scarlet M HF (276)

Crystal Effects

Transparent Effects

Crystal AB M HF (001 AB)

Crystal Golden Shadow M HF (001 GSHA)

Crystal Silver Night M HF (001 SINI)

Metallic Effects

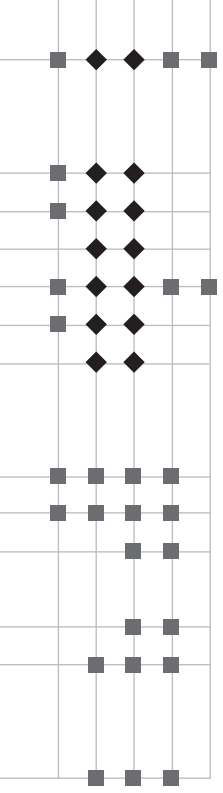
Crystal Dorado M HF (001 DOR)

Crystal Light Chrome M HF (001 LTCH)

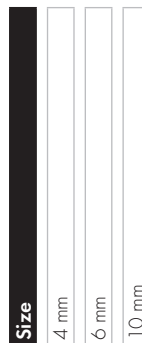
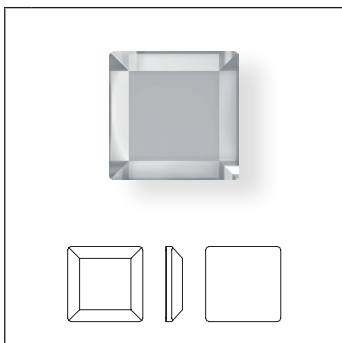
Color Effects

Metallic Effects

Jet Hematite M HF (280 HEM)



2402 Base Flat Back



Crystal

Crystal M HF (001)

Colors

Plain Colors

Jet M HF (280)

Crystal Effects

Transparent Effects

Crystal AB M HF (001 AB)

Crystal Golden Shadow M HF (001 GSHA)

Crystal Silver Night M HF (001 SINI)

Metallic Effects

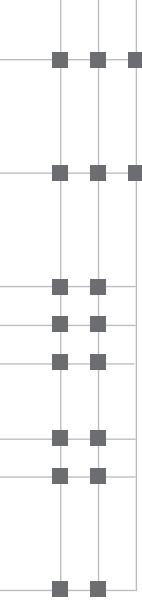
Crystal Dorado M HF (001 DOR)

Crystal Light Chrome M HF (001 LTCH)

Color Effects

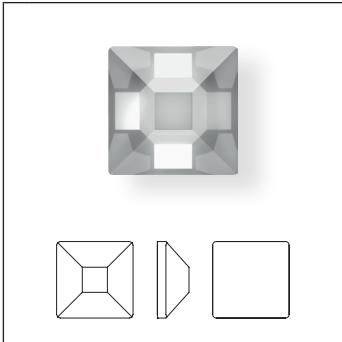
Metallic Effects

Jet Hematite M HF (280 HEM)



SQUARE FAMILY

2403 Pyramid Flat Back



Size	4 mm	6 mm	10 mm
------	------	------	-------

Crystal

Crystal M HF (001)

Colors

Plain Colors

Jet M HF (280)

Crystal Effects

Transparent Effects

Crystal AB M HF (001 AB)

Crystal Golden Shadow M HF (001 GSHA)

Crystal Silver Night M HF (001 SINI)

Metallic Effects

Crystal Dorado M HF (001 DOR)

Crystal Light Chrome M HF (001 LTCH)

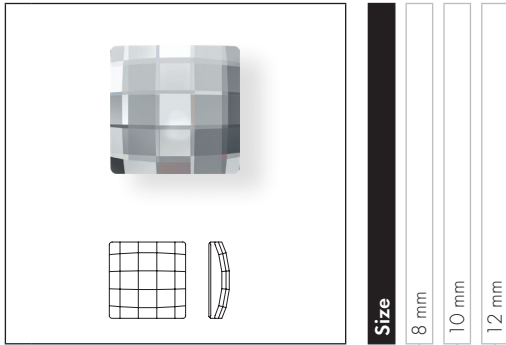
Color Effects

Metallic Effects

Jet Hematite M HF (280 HEM)

Crystal M HF (001)	■	■	■
Jet M HF (280)	■	■	■
Crystal AB M HF (001 AB)	■	■	
Crystal Golden Shadow M HF (001 GSHA)	■	■	
Crystal Silver Night M HF (001 SINI)	■	■	
Crystal Dorado M HF (001 DOR)	■	■	
Crystal Light Chrome M HF (001 LTCH)	■	■	
Jet Hematite M HF (280 HEM)	■	■	

2493 Chessboard Flat Back



Size
8 mm
10 mm
12 mm

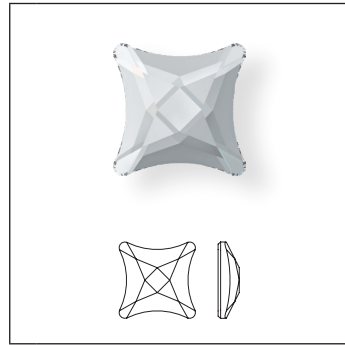
Crystal

Crystal M HF (001)

Crystal Effects

Crystal AB M HF (001 AB)

2494 Starlet Flat Back



Size
6 mm
8 mm
10.5 mm

Crystal

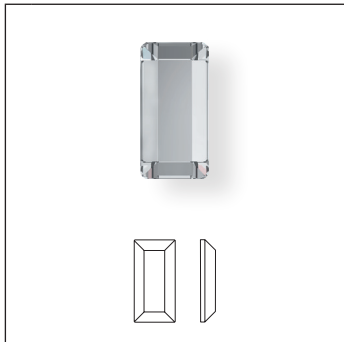
Crystal M HF (001)

Crystal Effects

Crystal Golden Shadow M HF (001 GSHA)

Crystal Paradise Shine M HF (001 PARSH)

2510 Baguette Flat Back



Size
5x2.5 mm

Crystal

Crystal M HF (001)

Colors

Plain Colors

Jet M HF (280)

Crystal Effects

Transparent Effects

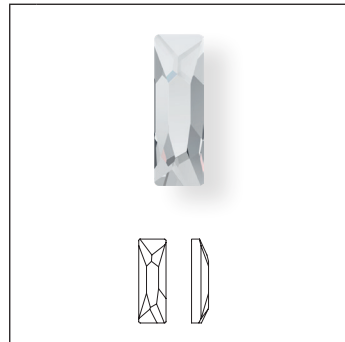
Crystal AB M HF (001 AB)

Color Effects

Metallic Effects

Jet Hematite M HF (280 HEM)

2555 Cosmic Baguette Flat Back



Size
8x2.6 mm
1.2x4 mm
1.5x5 mm

Crystal

Crystal M HF (001)

Crystal Effects

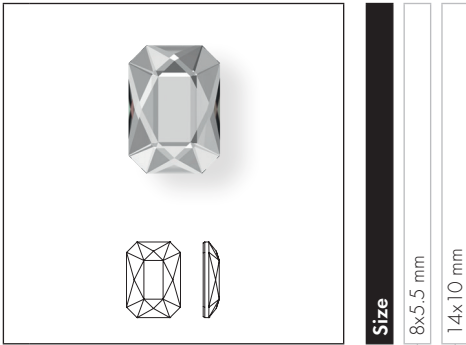
Transparent Effects

Crystal AB M HF (001 AB)

Crystal Golden Shadow M HF (001 GSHA)

Crystal Silver Shade M HF (001 SSHA)

2602 Emerald Cut Flat Back



Size

8x5.5 mm

14x10 mm

Crystal

Crystal M HF (001)

Colors

Plain Colors

Aquamarine M HF (202)

Emerald M HF (205)

Graphite M HF (253)

Jet M HF (280)

Sapphire M HF (206)

Scarlet M HF (276)

Sunflower M HF (292)

Vintage Rose M HF (319)

Crystal Effects

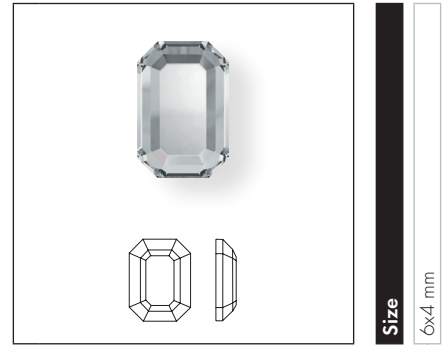
Transparent Effects

Crystal AB M HF (001 AB)

Crystal Golden Shadow M HF (001 GSHA)

Crystal Silver Shade M HF (001 SSHA)

2610 Rectangle Flat Back



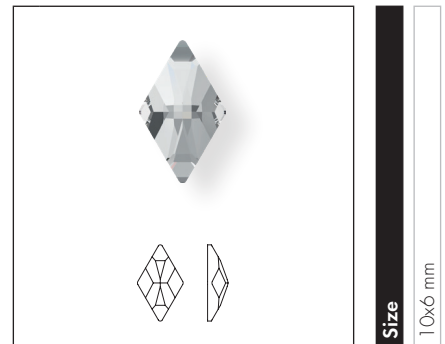
Size

6x4 mm

Crystal

Crystal M HF (001)

2709 Rhombus Flat Back



Size

10x6 mm

Crystal

Crystal M HF (001)

Colors

Plain Colors

Light Siam M HF (227)

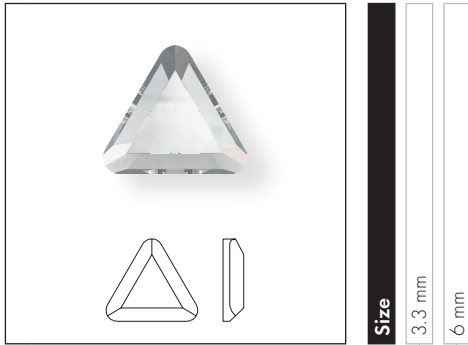
Crystal Effects

Transparent Effects

Crystal AB M HF (001 AB)

Crystal Golden Shadow M HF (001 GSHA)

2711 Triangle Flat Back



Size
3.3 mm
6 mm

Crystal

Crystal M HF (001)

Colors

Plain Colors

Amethyst M HF (204)

Aquamarine M HF (202)

Emerald M HF (205)

Jet M HF (280)

Light Colorado Topaz M HF (246)

Crystal Effects

Transparent Effects

Crystal AB M HF (001 AB)

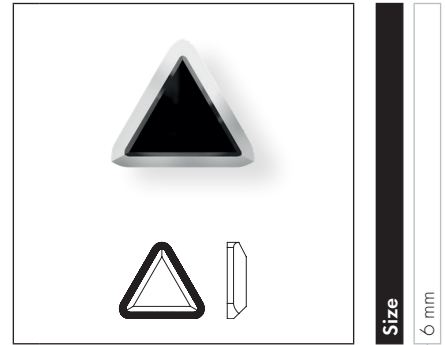
Crystal Golden Shadow M HF (001 GSHA)

Color Effects

Metallic Effects

Jet Hematite M HF (280 HEM)

2711/I Rimmed Triangle Flat Back



Size
6 mm

Crystal Effects

Metallic Effects

Crystal & Dorado Z M HF (001 DORZ)

Crystal & Lt. Chrome Z M HF (001 LTCHZ)

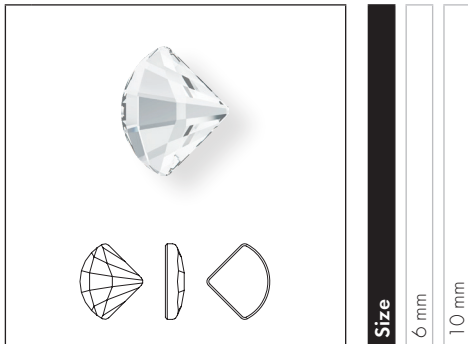
Color Effects

Metallic Effects

Jet & Dorado Z M HF (280 DORZ)

Jet & Lt. Chrome Z M HF (280 LTCHZ)

2714 Fan Flat Back Hoifix



Size
6 mm
10 mm

Crystal

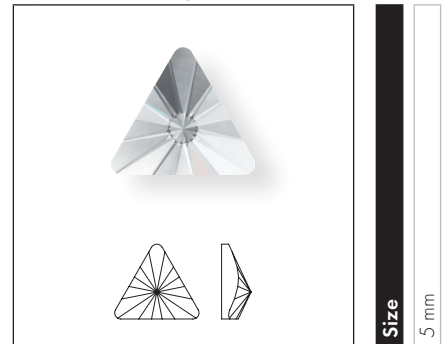
Crystal M HF (001)

Crystal Effects

Transparent Effects

Crystal AB M HF (001 AB)

2716 Rivoli Triangle Flat Back



Size
5 mm

Crystal

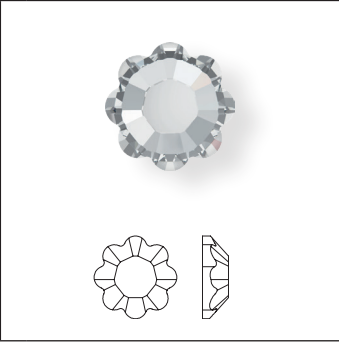
Crystal M HF (001)

Crystal Effects

Transparent Effects

Crystal AB M HF (001 AB)

2728 Marguerite Flat Back



Size

SS 10

SS 16

SS 20

SS 34

Crystal

Crystal M HF (001)

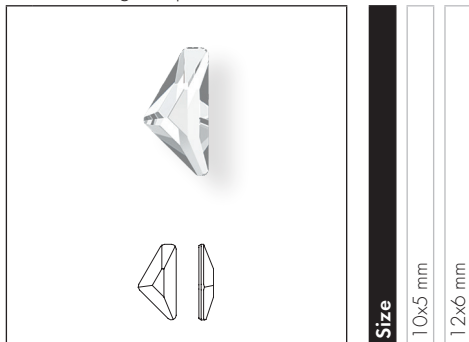
Crystal Effects

Transparent Effects

Crystal AB M HF (001 AB)

TRIANGLE FAMILY

2738 Triangle Alpha Flat Back



Size

10x5 mm

12x6 mm

Crystal

Crystal M HF (001)

Colors

Plain Colors

Blush Rose M HF (257)

Jet M HF (280)

Light Colorado Topaz M HF (246)

Light Sapphire M HF (211)

Light Siam M HF (227)

Crystal Effects

Transparent Effects

Crystal AB M HF (001 AB)

Crystal Golden Shadow M HF (001 GSHA)

Crystal Silver Night M HF (001 SINI)

Crystal Lacquer^{PRO} Effects

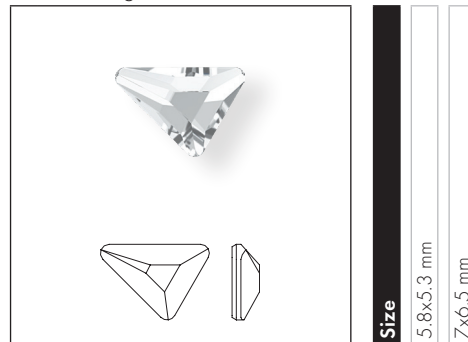
Crystal Shiny Lacquer^{PRO} Effects

Crystal Dark Grey HFT (001 L111S)

Crystal Dark Red HFT (001 L108S)

Crystal Ivory Cream HFT (001 L106S)

2739 Triangle Beta Flat Back



Size

5.8x5.3 mm

7x6.5 mm

Crystal

Crystal M HF (001)

Colors

Plain Colors

Blush Rose M HF (257)

Jet M HF (280)

Light Colorado Topaz M HF (246)

Light Sapphire M HF (211)

Light Siam M HF (227)

Crystal Effects

Transparent Effects

Crystal AB M HF (001 AB)

Crystal Golden Shadow M HF (001 GSHA)

Crystal Silver Night M HF (001 SINI)

Crystal Lacquer^{PRO} Effects

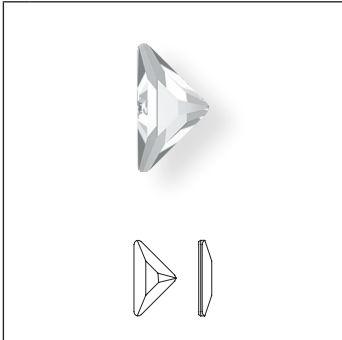
Crystal Shiny Lacquer^{PRO} Effects

Crystal Dark Grey HFT (001 L111S)

Crystal Dark Red HFT (001 L108S)

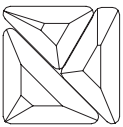
Crystal Ivory Cream HFT (001 L106S)

2740 Triangle Gamma Flat Back



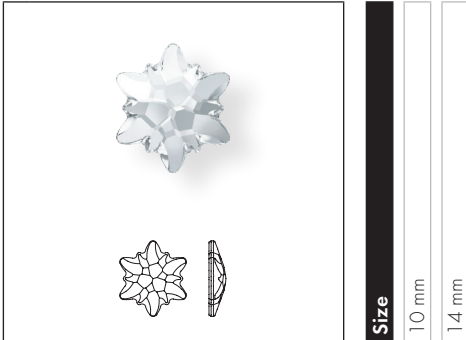
Size	8.3x8.3 mm	10x10 mm
-------------	------------	----------

Crystal		
Crystal M HF (001)	<input type="checkbox"/>	<input type="checkbox"/>
Colors		
Plain Colors		
Blush Rose M HF (257)	<input type="checkbox"/>	<input type="checkbox"/>
Jet M HF (280)	<input type="checkbox"/>	<input type="checkbox"/>
Light Colorado Topaz M HF (246)	<input type="checkbox"/>	<input type="checkbox"/>
Light Sapphire M HF (211)	<input type="checkbox"/>	<input type="checkbox"/>
Light Siam M HF (227)	<input type="checkbox"/>	<input type="checkbox"/>
Crystal Effects		
Transparent Effects		
Crystal AB M HF (001 AB)	<input type="checkbox"/>	<input type="checkbox"/>
Crystal Golden Shadow M HF (001 GSHA)	<input type="checkbox"/>	<input type="checkbox"/>
Crystal Silver Night M HF (001 SINI)	<input type="checkbox"/>	<input type="checkbox"/>
Crystal Lacquer^{PRO} Effects		
Crystal Shiny Lacquer^{PRO} Effects		
Crystal Dark Grey HFT (001 L111S)	<input type="checkbox"/>	<input type="checkbox"/>
Crystal Dark Red HFT (001 L108S)	<input type="checkbox"/>	<input type="checkbox"/>
Crystal Ivory Cream HFT (001 L106S)	<input type="checkbox"/>	<input type="checkbox"/>



When Alpha, Beta, and Gamma Flat Backs are arranged together, they form a square.

2753 Edelweiss Flat Back



Size

10 mm

14 mm

Crystal

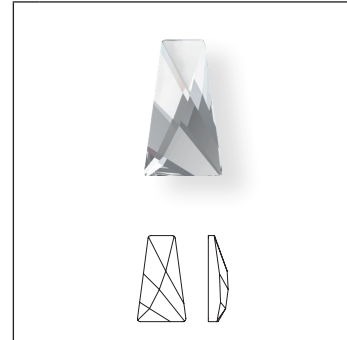
Crystal M HF (001)

Crystal Effects

Transparent Effects

Crystal AB M HF (001 AB)

2770 Wing Flat Back



Size

6x3.5 mm

Crystal

Crystal M HF (001)

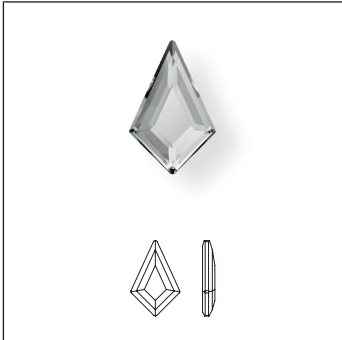
Crystal Effects

Transparent Effects

Crystal AB M HF (001 AB)

GEOMETRIC FLAT BACKS

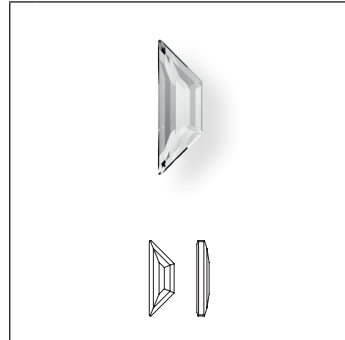
2771 Kite Flat Back Hoffix



Size
6.4x4.2 mm
8.6x5.6 mm
12.9x8.3 mm

- Crystal**
- Crystal M HF (001)
- Colors**
- Plain Colors**
- Aquamarine M HF (202)
- Black Diamond M HF (215)
- Jet M HF (280)
- Light Rose M HF (223)
- Light Siam M HF (227)
- Crystal Effects**
- Transparent Effects**
- Crystal AB M HF (001 AB)
- Crystal Golden Shadow M HF (001 GSHA)
- Crystal Silver Shade M HF (001 SSHA)
- Color Effects**
- Metallic Effects**
- Jet Hematite M HF (280 HEM)

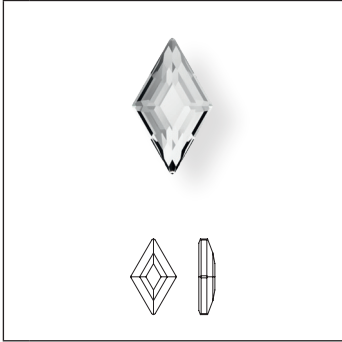
2772 Trapeze Flat Back Hoffix



Size
6.5x2.1 mm
8.6x2.8 mm
12.9x4.2 mm

- Crystal**
- Crystal M HF (001)
- Colors**
- Plain Colors**
- Aquamarine M HF (202)
- Black Diamond M HF (215)
- Jet M HF (280)
- Crystal Effects**
- Transparent Effects**
- Crystal AB M HF (001 AB)
- Crystal Golden Shadow M HF (001 GSHA)
- Crystal Silver Shade M HF (001 SSHA)
- Color Effects**
- Metallic Effects**
- Jet Hematite M HF (280 HEM)

2773 Diamond Shape Flat Back Hotfix



Size	5x3 mm	6.6x3.9 mm	9.9x5.9 mm
------	--------	------------	------------

Crystal

Crystal M HF (001)

Colors

Plain Colors

Aquamarine M HF (202)

Black Diamond M HF (215)

Jet M HF (280)

Light Rose M HF (223)

Light Siam M HF (227)

Crystal Effects

Transparent Effects

Crystal AB M HF (001 AB)

Crystal Golden Shadow M HF (001 GSHA)

Crystal Silver Shade M HF (001 SSHA)

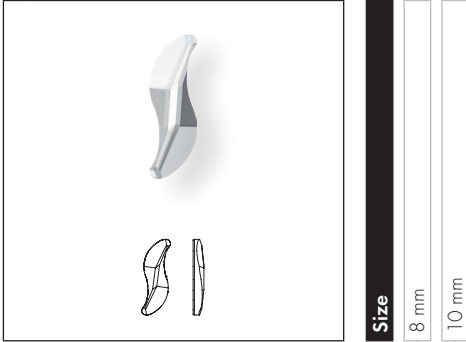
Color Effects

Metallic Effects

Jet Hematite M HF (280 HEM)

GEOMETRIC FLAT BACKS

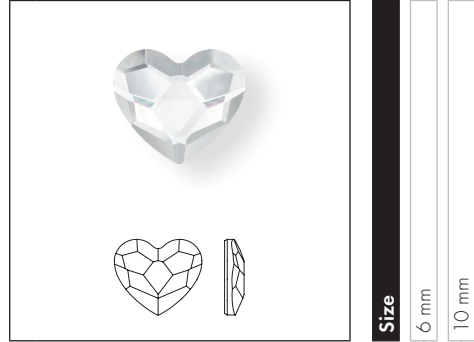
2788 Wave Flat Back



Size
8 mm
10 mm

- Crystal**
- Crystal M HF (001)
- Crystal Effects**
- Transparent Effects**
- Crystal AB M HF (001 AB)

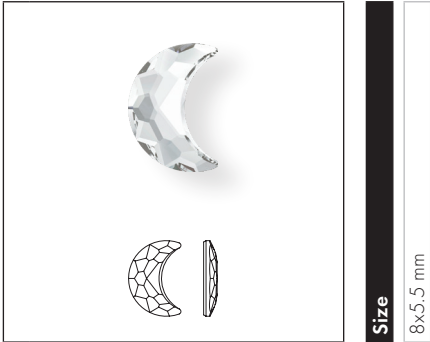
2808 Heart Flat Back



Size
6 mm
10 mm

- Crystal**
- Crystal M HF (001)
- Colors**
- Plain Colors**
- Fuchsia M HF (502)
- Light Siam M HF (227)
- Crystal Effects**
- Transparent Effects**
- Crystal AB M HF (001 AB)

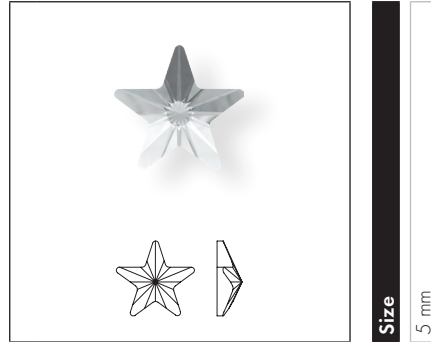
2813 Moon Flat Back Hotfix



Size
8x5.5 mm

- Crystal**
- Crystal M HF (001)
- Crystal Effects**
- Transparent Effects**
- Crystal AB M HF (001 AB)

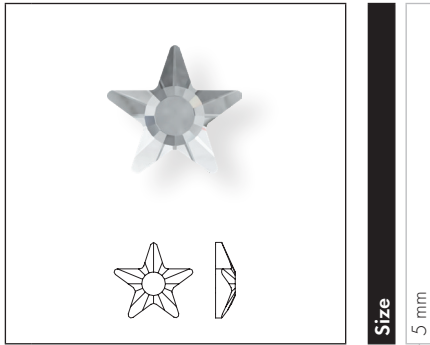
2816 Rivoli Star Flat Back



Size
5 mm

- Crystal**
- Crystal M HF (001)
- Colors**
- Plain Colors**
- Jet M HF (280)
- Crystal Effects**
- Transparent Effects**
- Crystal AB M HF (001 AB)
- Color Effects**
- Metallic Effects**
- Jet Hematite M HF (280 HEM)

2817 Star Flat Back



Size
5 mm

Crystal

Crystal M HF (001)

Crystal Effects

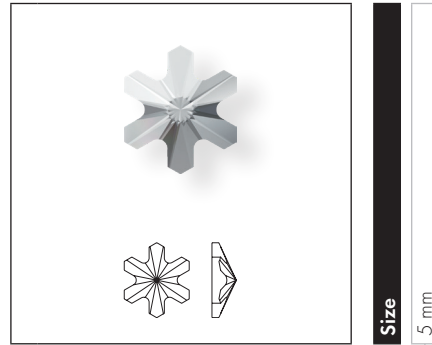
Transparent Effects

Crystal AB M HF (001 AB)

Crystal Golden Shadow M HF (001 GSHA)

Crystal Silver Night M HF (001 SINI)

2826 Rivoli Snowflake Flat Back



Size
5 mm

Crystal

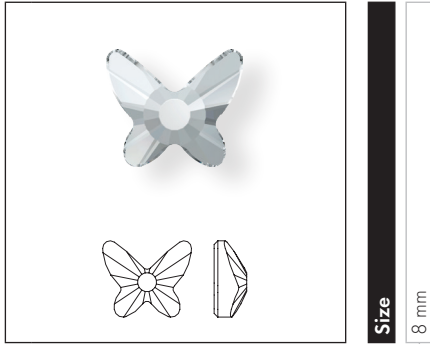
Crystal M HF (001)

Crystal Effects

Transparent Effects

Crystal AB M HF (001 AB)

2855 Butterfly Flat Back



Size
8 mm

Crystal

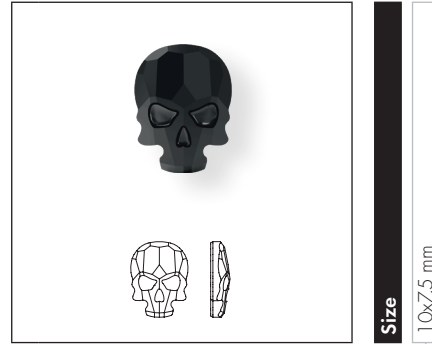
Crystal M HF (001)

Crystal Effects

Transparent Effects

Crystal AB M HF (001 AB)

2856 Skull Flat Back



Size
10x7.5 mm
14x10.5 mm
18x14 mm

Colors

Plain Colors

Jet M HF (280)

Crystal Effects

Transparent Effects

Crystal AB M HF (001 AB)

Crystal Golden Shadow M HF (001 GSHA)

Crystal Silver Night M HF (001 SINI)

Metallic Effects

Crystal Metallic Blue M HF (001 METBL)

Crystal Metallic Light Gold M HF (001 MLGLD)

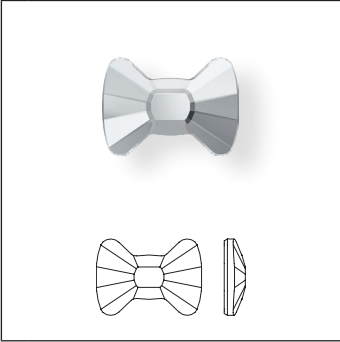
Crystal Light Chrome M HF (001 LTCH)

Color Effects

Metallic Effects

Jet Hematite M HF (280 HEM)

2858 Bow Tie Flat Back



Size

6x4,5 mm

Crystal

Crystal M HF (001)

Crystal Effects

Transparent Effects

Crystal AB M HF (001 AB)

PRODUCT DETAILS

Article Size	Packing Unit = Minimum Order Quantity in Pieces	Average Net Weight in Gram per Packing Unit Crystal (001)	Average Gross Weight in Gram per Packing Unit Crystal (001)
2000 A HF			
SS 3	1,440	1.8	12.7
2035 M HF			
6 mm	360	27.1	34.8
10 mm	192	56.2	88.0
2038 A HF			
SS 5	1,440	4.2	12.1
SS 6	1,440	5.4	17.7
SS 8	1,440	9.96	18.2
SS 10	1,440	15.54	24.3
2038/I			
SS 10	1440	15.7	24.4
2078 A HF			
SS 12	1,440	21.6	30.4
SS 16	1,440	39.1	47.1
SS 20	1,440	72.0	79.6
SS 30	288	34.6	63.0
SS 34	144	26.0	48.6
SS 40	144	43.2	66.9
SS 48	96	61.4	87.4
2078/H A HF			
SS 16	1,440	77.6	86.5
SS 20	1,440	130.1	139.0
SS 34	144	38.5	47.4
2078/I A HF			
SS 16	1,440	39.1	47.1
SS 20	1,440	72.0	79.6
SS 34	144	25.9	48.6
2080/4 HF			
SS 10	1,440	17.1	28.3
SS 16	1,440	43.4	54.9
SS 34	144	23.2	34.1
2080/H M HF			
SS 34	144	40.5	49.5
2081/2 HF			
SS 10	1,440	30.52	40.52
SS 16	1,440	83.02	93.89
SS 34	144	46.76	56.79
2200 M HF			
4x2 mm	720	6.5	18.5
8x4 mm	360	24.8	35.8
2200/I M HF			
8x4 mm	360	25.14	36.02
2201 M HF			
8x3.5 mm	144	10.03	31.11
14x6 mm	72	21.67	45.27

Article Size	Packing Unit = Minimum Order Quantity in Pieces	Average Net Weight in Gram per Packing Unit Crystal (001)	Average Gross Weight in Gram per Packing Unit Crystal (001)
2208/4 HF			
6x3.5 mm	720	52.48	62.48
8x4.5 mm	480	124.71	134.71
10x5.5 mm	288	227.42	237.42
2300 M HF			
8x4.8 mm	360	41.9	51.0
2300/1 M HF			
8x4.8 mm	360	42.47	53.36
2303 M HF			
8x5 mm	144	15.70	39.60
14x9 mm	72	36.65	60.25
2304 M HF			
10x2.8 mm	180	10.2	20.4
2308/4 HF			
6x3.5 mm	720	64.58	74.58
8x5 mm	480	162.93	172.93
10x6 mm	288	233.15	243.15
2400 M HF			
2.2 mm	1,440	9.65	18.5
3 mm	1,440	25.3	36.8
4 mm	720	30.0	41.0
6 mm	144	21.9	32.7
10 mm	72	37.2	61.0
2402 M HF			
4 mm	720	22.3	33.1
6 mm	144	15.1	25.9
10 mm	72	30.5	54.1
2403 M HF			
4 mm	720	32.2	43.1
6 mm	144	21.9	32.8
10 mm	72	42.7	66.4
2408/4 HF			
4 mm	720	63.73	73.73
6 mm	480	185.67	195.67
8 mm	288	449.35	459.35
2493 M HF			
8 mm	216	72.3	91.8
10 mm	144	84.4	106.1
12 mm	96	96.4	127.8
2494 M HF			
6 mm	220	22.3	31.4
8 mm	144	29.5	50.2
10.5 mm	96	42.7	63.8
2510 M HF			
5x2.5 mm	720	23.2	32.3

Article Size	Packing Unit = Minimum Order Quantity in Pieces	Average Net Weight in Gram per Packing Unit Crystal (001)	Average Gross Weight in Gram per Packing Unit Crystal (001)
2555 M HF			
8x2.6 mm	240	18.4	27.5
12x4 mm	144	28.8	33.6
15x5 mm	72	28.9	46.0
2602 M HF			
8x5.5 mm	144	17.89	41.79
14x10 mm	72	58.61	82.21
2610 M HF			
6x4 mm	360	23.5	34.3
2709 M HF			
10x6 mm	288	28.9	67.2
2711 M HF			
3.3 mm	720	6.38	15.63
6 mm	360	29.7	40.7
2711/1 M HF			
6 mm	360	30.10	40.97
2714 M HF			
6 mm	360	38.8	49.7
10 mm	144	59.8	84.3
2716 M HF			
5 mm	720	35.8	75.1
2728 M HF			
SS 10	1,440	14.1	24.6
SS 16	1,440	38.0	48.8
SS 20	1,440	65.7	76.5
SS 34	144	26.5	37.5
2738 M HF			
10x5 mm	144	16.7	35.1
12x6 mm	96	20.2	38.3
2739 M HF			
5.8x5.3 mm	216	19.2	41.9
7x6.5 mm	144	22.6	39.8
2740 M HF			
8.3x8.3 mm	216	35.1	54.2
10x10 mm	96	25.1	41.1
2753 M HF			
10 mm	72	15.8	39.4
14 mm	36	20.2	40.8
2770 M HF			
6x3.5 mm	1,440	60.3	70.3
2771			
6.4x4.2 mm	288	9.04	17.87
8.6x5.6 mm	216	16.84	43.02
12.9x8.3 mm	144	36.29	61.39

Article Size	Packing Unit = Minimum Order Quantity in Pieces	Average Net Weight in Gram per Packing Unit Crystal (001)	Average Gross Weight in Gram per Packing Unit Crystal (001)
2772			
6.5x2.1 mm	288	6.39	15.17
8.6x2.8 mm	288	16.29	40.71
12.9x4.2 mm	144	25.57	53.86
2773			
5x3 mm	288	4.83	13.66
6.6x3.9 mm	288	11.23	35.65
9.9x5.9 mm	144	19.30	43.39
2788 M HF			
8 mm	288	7.5	18.4
10 mm	216	10.5	37.7
2808 M HF			
6 mm	288	19.8	28.9
10 mm	144	38.8	55.9
2813 M HF			
8x5.5 mm	144	13.1	37.7
2816 M HF			
5 mm	720	23.6	30.7
2817 M HF			
5 mm	720	21.9	31.1
2826 M HF			
5 mm	720	23.06	30.1
2855 M HF			
8 mm	216	46.8	55.9
2858 M HF			
6x4.5 mm	240	12.5	21.7
2856			
10x7.5 mm	72	20.2	38.6
14x10.5 mm	36	30.2	50.3
18x14 mm	30	53.0	83.4