





MODEL: YAC

Aluminium Clip

45 x 32 x 60mm



DARK GREY



SILVER



LIGHT GREY



WHITE

SPACIOUS WORKSTATION

A combination of L-shape tables makes a 4-seaters workstation. With the adding of our curved design fabric panels, your office looks stylish and fit your space.



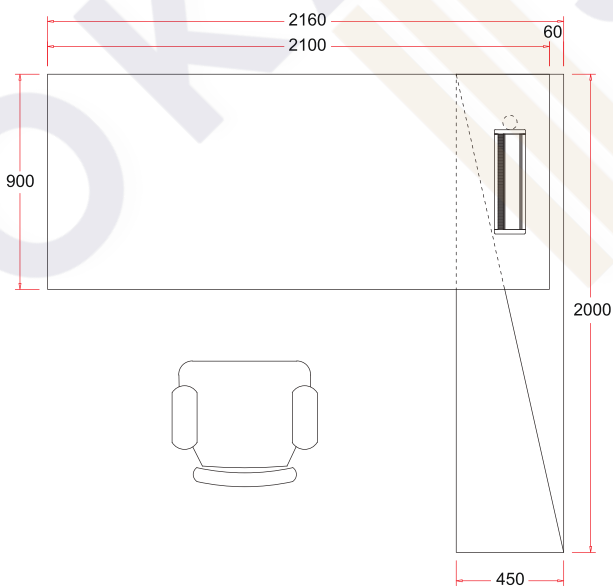
● GO 24

CONFERENCE TABLE

It's time to get a suitable size and style conference table for your boardroom to give a great meeting among your teams. G-series conference furniture will enhance and complete your entire office environment.



◀ Q-SRWE 2202

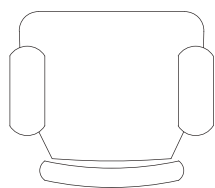
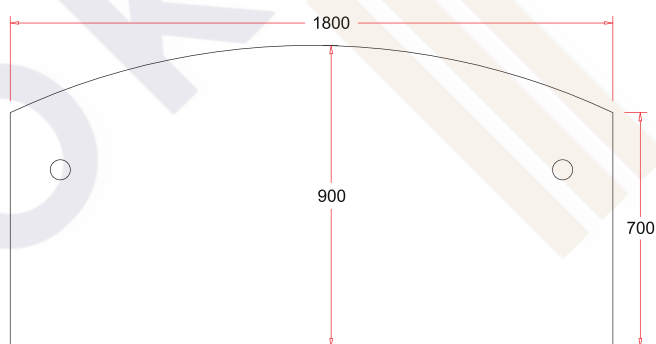


CONTEMPORARY DIRECTOR SET

Directors are member of the board that manages stunning work of an organization. A multiple functions desk is needed to grace your personal room for the sense of professional self.



◀ SQWB 180A-SET

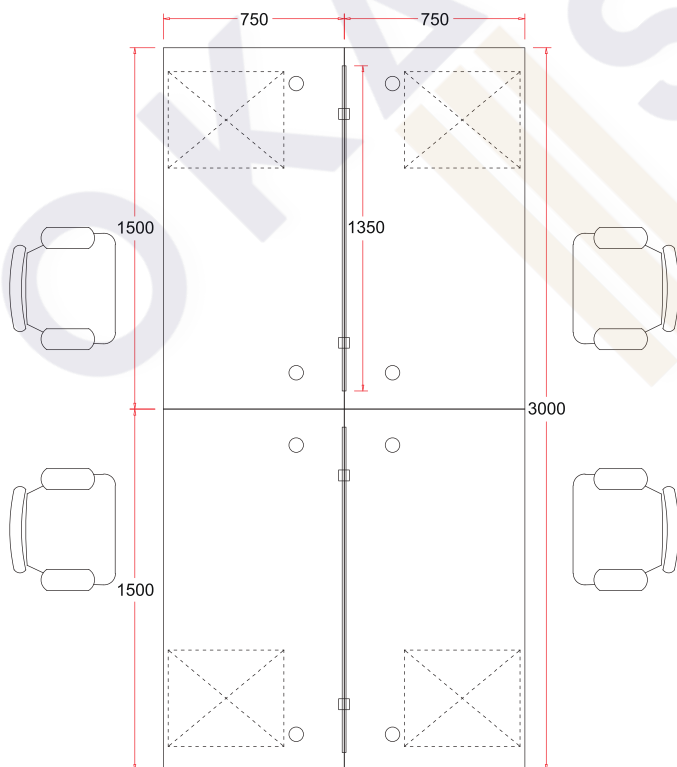


EXECUTIVE TABLE

Endow your office furniture with a level of refinement that integrates full complement of desk, pedestal and cabinet. The furniture fits together perfectly with matt finished square legs, provides great look and design concept.



◀ 16-SQR-4



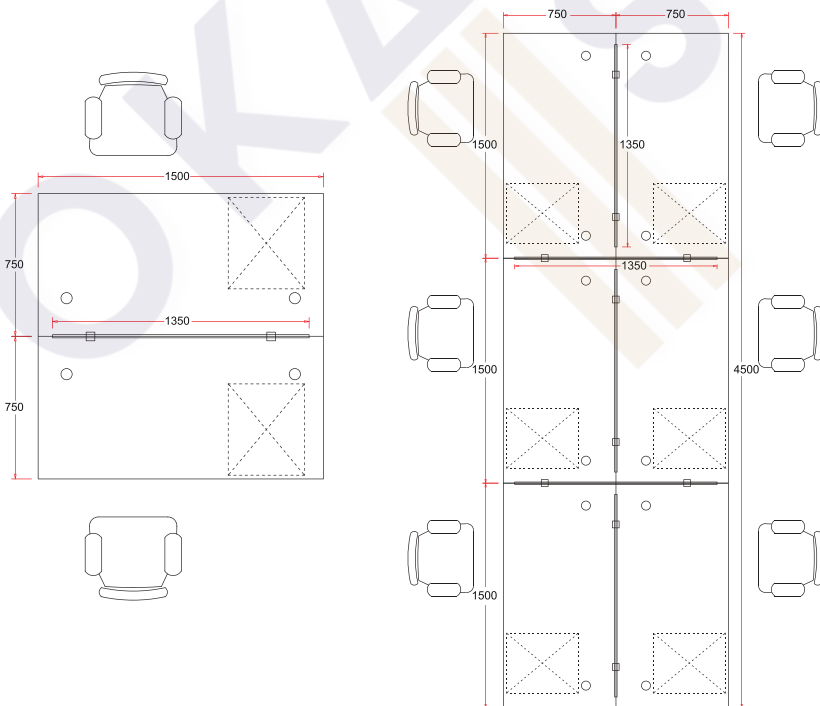
△ CLUSTER OF 4

A table is important for the purpose of data exchange and sharing new ideas. This is a set that uniquely approach four individuals to get connected. It also fosters team communication and collaboration within a shared place to enhance the information exchange.



◀ 16-SQR-6

▶ 16-SQR-2



△ CLUSTER OF 2 & 6

A table is important for the purpose of data exchange and sharing new ideas. This is a set that uniquely approach four individuals to get connected. It also fosters team communication and collaboration within a shared place to enhance the information exchange.



◀ **SQWL 1815-3D (L)**

SUPERIOR COMPACT TABLE

Look forward to find a desk that spurs your creativity right for your job? Our SQ82 series L-shape table matches all sorts of styles exactly the design you love.



SQWL 1815-4D (L) ▶



SQVB 48-SET



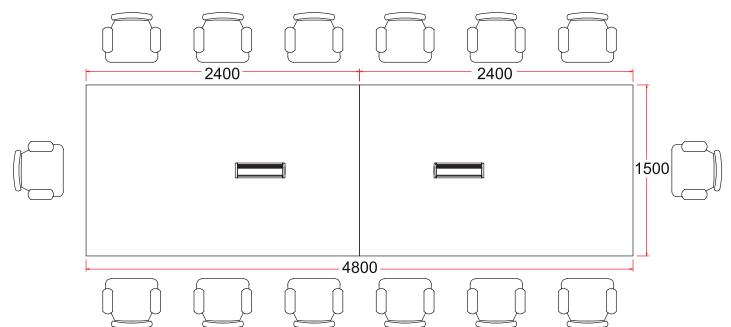
▲ **SQBB 24**



▲ **SQVB 18**

CONFERENCE FUNCTIONALITY TABLES

For companies that looking for higher quality and elegant tables for meeting, our SQ82 collection is an ideal solution for your members to meet to discuss a common concern and working together.





CABINETS & PEDESTAL

Storage is another solution to decorate your exclusive workplace. You may organize your workspace with our well-designed cabinets and pedestal. All the accessories features of lockable door, smooth-running pedestal, from low to full height cabinets, wooden glass door, and open system make your office an all-rounder.

Office Table And Pedestal Specification (SQ82-Series)

EXECUTIVE TABLE AND STANDARD TABLE (WITH WOODEN FRONT PANEL)



EXECUTIVE TABLE
SQWB 180A
1800W x 900D x 750H



STANDARD TABLE
SQWT 127 1200W x 750D x 750H
SQWT 157 1500W x 750D x 750H
SQWT 187 1800W x 750D x 750H



STANDARD TABLE (W/O TEL CAP)
SQWT 126 1200W x 600D x 750H
SQWT 156 1500W x 600D x 750H

WOODEN FRONT PANEL AND ACCESSORIES



EXECUTIVE WOODEN FRONT PANEL
SF 1 1000W x 430H x 16THK
SF 3 1300W x 430H x 16THK
SF 5 1600W x 430H x 16THK

SUPERIOR COMPACT TABLE (WITH WOODEN FRONT PANEL)



SUPERIOR COMPACT TABLE(L)
SQWL 552 1500W x 600 x 1500 x 600D x 750H
SQWL 652 1800W x 600 x 1500 x 600D x 750H
SQWL 1515 1500W x 700 x 1500 x 600D x 750H
SQWL 1815 1800W x 700 x 1500 x 600D x 750H



SUPERIOR COMPACT TABLE(L)
SQWL 552-3D 1500W x 600 x 1500 x 600D x 750H
SQWL 652-3D 1800W x 600 x 1500 x 600D x 750H
SQWL 1515-3D 1500W x 700 x 1500 x 600D x 750H
SQWL 1815-3D 1800W x 700 x 1500 x 600D x 750H



SUPERIOR COMPACT TABLE(L)
SQWL 552-4D 1500W x 600 x 1500 x 600D x 750H
SQWL 652-4D 1800W x 600 x 1500 x 600D x 750H
SQWL 1515-4D 1500W x 700 x 1500 x 600D x 750H
SQWL 1815-4D 1800W x 700 x 1500 x 600D x 750H



WOODEN HANGING BRACKET
SHW 82W x 34D x 100H

EXECUTIVE TABLE AND STANDARD TABLE (WITH METAL FRONT PANEL)



EXECUTIVE TABLE
SQMB 180A
1800W x 900D x 750H



STANDARD TABLE
SQMT 127 1200W x 750D x 750H
SQMT 157 1500W x 750D x 750H
SQMT 187 1800W x 750D x 750H



STANDARD TABLE (W/O TEL CAP)
SQMT 126 1200W x 600D x 750H
SQMT 156 1500W x 600D x 750H

METAL FRONT PANEL AND ACCESSORIES



METAL FRONT PANEL
BD 1 1000W x 430H x 20D
BD 3 1300W x 430H x 20D
BD 5 1600W x 430H x 20D

SUPERIOR COMPACT TABLE (WITH METAL FRONT PANEL)



SUPERIOR COMPACT TABLE(L)
SQML 552 1500W x 600 x 1500 x 600D x 750H
SQML 652 1800W x 600 x 1500 x 600D x 750H
SQML 1515 1500W x 700 x 1500 x 600D x 750H
SQML 1815 1800W x 700 x 1500 x 600D x 750H



SUPERIOR COMPACT TABLE(L)
SQML 552-3D 1500W x 600 x 1500 x 600D x 750H
SQML 652-3D 1800W x 600 x 1500 x 600D x 750H
SQML 1515-3D 1500W x 700 x 1500 x 600D x 750H
SQML 1815-3D 1800W x 700 x 1500 x 600D x 750H



SUPERIOR COMPACT TABLE(L)
SQML 552-4D 1500W x 600 x 1500 x 600D x 750H
SQML 652-4D 1800W x 600 x 1500 x 600D x 750H
SQML 1515-4D 1500W x 700 x 1500 x 600D x 750H
SQML 1815-4D 1800W x 700 x 1500 x 600D x 750H



METAL HANGING BRACKET
SHM 82W x 34D x 465H

PEDESTAL

FIXED PEDESTAL WITHOUT TOP (HEIGHT OF 725mm)



FIXED PEDESTAL 2D1F (W/O TOP)
Q-YHP 3
396W x 446D x 725H



FIXED PEDESTAL 4D (W/O TOP)
Q-YHP 4
396W x 446D x 725H

MOBILE PEDESTAL



MOBILE PEDESTAL 1D1F
Q-YM 2
400W x 480D x 560H



MOBILE PEDESTAL 3D
Q-YM 3
400W x 480D x 560H



MOBILE PEDESTAL 2D1F
Q-YMP 3
400W x 480D x 620H



MOBILE PEDESTAL 4D
Q-YMP 4
400W x 480D x 620H

FIXED PEDESTAL WITHOUT TOP AND BASE (HEIGHT OF 630mm)



FIXED PEDESTAL 2D1F (W/O TOP AND BASE)
Q-YP 3 396W x 446D x 630H



FIXED PEDESTAL 4D (W/O TOP AND BASE)
Q-YP 4 396W x 446D x 630H



BASE
YB 400 380W x 350D x 95H

Side Cabinet For Standard Table And Director Table Specification (SQ82-Series)

SIDE CABINET HEIGHT OF 620MM

FOR STANDARD TABLE



OPEN SHELF + SWINGING DOOR(L) + FIXED PEDESTAL 1D1F
Q-YLP 1226 1200W x 450D x 620H



OPEN SHELF + SWINGING DOOR(L) + FIXED PEDESTAL 3D
Q-YLP 1236 1200W x 450D x 620H

SIDE CABINET 1200W x 450D x 620H



OPEN SHELF + SLIDING DOOR
Q-YOS 1206
 1200W x 450D x 620H



SLIDING DOOR + FIXED PEDESTAL 1D1F
Q-YSP 1226
 1200W x 450D x 620H



SLIDING DOOR + FIXED PEDESTAL 3D
Q-YSP 1236
 1200W x 450D x 620H



OPEN SHELF + SWINGING DOOR(R) + FIXED PEDESTAL 1D1F
Q-YRP 1226
 1200W x 450D x 620H



OPEN SHELF + SWINGING DOOR(R) + FIXED PEDESTAL 3D
Q-YRP 1236
 1200W x 450D x 620H

FOR WORKSTATION CLUSTER OF 2



STANDARD TABLE (WITH WOODEN FRONT PANEL)
SQWT 127-2 2400W x 750D x 750H
SQWT 157-2 3000W x 750D x 750H
SQWT 187-2 3600W x 750D x 750H



STANDARD TABLE (WITH METAL FRONT PANEL)
SQMT 127-2 2400W x 750D x 750H
SQMT 157-2 3000W x 750D x 750H
SQMT 187-2 3600W x 750D x 750H

FOR WORKSTATION CLUSTER OF 4



STANDARD TABLE (W/O FRONT PANEL)
SQT 127-4 2400W x 1500D x 750H
SQT 157-4 3000W x 1500D x 750H
SQT 187-4 3600W x 1500D x 750H

CABINET PANEL, BOTTOM PANEL AND DOOR

PARTS OF COMBINATION



CABINET PANEL C/W CHROME CAP
PSC 800 800W x 450D x 25THK
PSC 1200 1200W x 450D x 25THK
PSC 1600 1600W x 450D x 25THK



CABINET PANEL
YST 800 800W x 450D x 25THK
YST 1200 1200W x 450D x 25THK
YST 1600 1600W x 450D x 25THK



SWINGING WOODEN DOOR(L)
YDL 448(Q)
 390W x 478H x 16THK



SWINGING WOODEN DOOR(R)
YDR 448(Q)
 390W x 478H x 16THK

CABINET AND PEDESTAL



OPEN SHELF SIDE CABINET (W/O TOP AND BASE)
YO 448
 396W x 430D x 480H



SLIDING DOOR SIDE CABINET (W/O TOP AND BASE)
Q-YS 848
 796W x 430D x 480H



FIXED PEDESTAL 1D1F (W/O TOP AND BASE)
Q-YP 26
 396W x 446D x 480H



FIXED PEDESTAL 3D (W/O TOP AND BASE)
Q-YP 36
 396W x 446D x 480H

DIRECTOR TABLE SET (WITH SQ82 METAL LEG)

(WITH WOODEN FRONT PANEL)



DIRECTOR TABLE SET (Table Top 41THK)
 (Included YBV 20 1 unit)
Q-SRWE 2202
 2160W x 900 x 2000 x 450 x 766H



DIRECTOR TABLE SET (Table Top 41THK)
 (Included YBV 20 1 unit)
Q-SRWE 2203
 2160W x 900 x 2000 x 450 x 766H



DIRECTOR TABLE SET (Table Top 41THK)
 (Included YBV 20 1 unit)
Q-SLWE 2202
 2160W x 900 x 2000 x 450 x 766H



DIRECTOR TABLE SET (Table Top 41THK)
 (Included YBV 20 1 unit)
Q-SLWE 2203
 2160W x 900 x 2000 x 450 x 766H

Conference Table And SQ82 Metal Leg Specification (SQ82-Series)

CONFERENCE TABLE



BOAT-SHAPE CONFERENCE TABLE
(Included YBV 20 1 unit)

SQBB 18 1800W x 900/750D x 750H



BOAT-SHAPE CONFERENCE TABLE
(Included YBV 20 1 unit)

SQBB 24 2400W x 1200/900D x 750H



BOAT-SHAPE CONFERENCE TABLE
(Included YBV 20 2 units)

SQBB 30 3000W x 1200/900D x 750H
SQBB 36 3600W x 1500/1200D x 750H



BOAT-SHAPE CONFERENCE TABLE
(Included YBV 20 2 units)

SQBB 48 4800W x 1500/1200D x 750H



RECTANGULAR CONFERENCE TABLE
(Included YBV 20 1 unit)

SQVB 18 1800W x 900D x 750H



RECTANGULAR CONFERENCE TABLE
(Included YBV 20 1 unit)

SQVB 24 2400W x 1200D x 750H



RECTANGULAR CONFERENCE TABLE
(Included YBV 20 2 units)

SQVB 30 3000W x 1200D x 750H
SQVB 36 3600W x 1500D x 750H



RECTANGULAR CONFERENCE TABLE
(Included YBV 20 2 units)

SQVB 48 4800W x 1500D x 750H

SQ LEG



SQ LEG

SQ82-E600 590W x 80D x 725H
SQ82-E700 690W x 80D x 725H
SQ82-E750 740W x 80D x 725H
SQ82-E900 890W x 80D x 725H



SQ LEG

SQ82-E1200 1190W x 80D x 725H
SQ82-E1400 1390W x 80D x 725H
SQ82-E1500 1490W x 80D x 725H



MIDDLE SQ LEG

SQ82-M600 590W x 80D x 725H
SQ82-M700 690W x 80D x 725H
SQ82-M750 740W x 80D x 725H
SQ82-M900 890W x 80D x 725H



MIDDLE SQ LEG

SQ82-M1200 1190W x 80D x 725H
SQ82-M1400 1390W x 80D x 725H
SQ82-M1500 1490W x 80D x 725H

CROSS BAR



END AND END CROSS BAR

SEE 1200 1160W x 38D x 14/54H
SEE 1500 1460W x 38D x 14/54H
SEE 1800 1760W x 38D x 14/54H
SEE 2400 2360W x 38D x 14/54H



MIDDLE AND END CROSS BAR

SME 1200 1200W x 38D x 14/54H
SME 1500 1500W x 38D x 14/54H
SME 1800 1800W x 38D x 14/54H



MIDDLE AND MIDDLE CROSS BAR

SMM 1200 1240W x 38D x 14/54H
SMM 1500 1540W x 38D x 14/54H
SMM 1800 1840W x 38D x 14/54H



END SIDE CROSS BAR

SRE 200 251W x 38D x 14/54H



MIDDLE SIDE CROSS BAR

SRM 200 251W x 38D x 14/54H

ACCESSORIES



SUPPORT BRACKET (PVC)
SPB 52W x 32D x 14H



CABINET LEG (ALUMINIUM)
YCL 70W x 64D x 90H

COLOUR OPTIONS



BORAS ASH



WALNUT



MAPLE

The furniture colours of all the photographs featured in this catalogue may vary from the actual products due to photography lighting and limitation of the print production process.

DIMENSION :
W x D x H mm

* SUBJECT TO CHANGE
WITHOUT PRIOR NOTICE

Storage Cabinet Specification (SQ82-Series)

LOW CABINET

HEIGHT OF 910MM



OPEN SHELF LOW CABINET
Q-YO 9 800W x 400D x 910H



SWINGING DOOR LOW CABINET
Q-YD 9 800W x 400D x 910H



PIGEON HOLE LOW CABINET
Q-YP 9 800W x 400D x 910H



SLIDING DOOR LOW CABINET
Q-YS 9 800W x 400D x 910H



SWINGING GLASS DOOR LOW CABINET
Q-YG 9 800W x 400D x 910H

MEDIUM CABINET

HEIGHT OF 1310MM



OPEN SHELF MEDIUM CABINET
Q-YO 13 800W x 400D x 1310H



SWINGING DOOR MEDIUM CABINET
Q-YD 13 800W x 400D x 1310H



SEMI SWINGING DOOR MEDIUM CABINET
Q-YOD 13 800W x 400D x 1310H



SLIDING DOOR SIDE CABINET
Q-YS 303 900W x 450D x 700H

HEIGHT OF 1710MM



OPEN SHELF MEDIUM CABINET
Q-YO 17 800W x 400D x 1710H



SWINGING DOOR MEDIUM CABINET
Q-YD 17 800W x 400D x 1710H



SEMI SWINGING DOOR MEDIUM CABINET
Q-YOD 17 800W x 400D x 1710H



CARTIER HANDLE

HANDLE OPTION

HIGH CABINET

HEIGHT OF 2110MM



OPEN SHELF HIGH CABINET
Q-YO 21 800W x 400D x 2110H



SWINGING DOOR HIGH CABINET
Q-YD 21 800W x 400D x 2110H



SEMI SWINGING DOOR HIGH CABINET
Q-YOD 21 800W x 400D x 2110H



SWINGING DOOR HIGH CABINET
Q-YTD 21 800W x 400D x 2110H



SWINGING GLASS DOOR HIGH CABINET
Q-YGD 21 800W x 400D x 2110H

SWINGING WOODEN AND GLASS DOOR



SWINGING WOODEN DOOR
YFD 9(Q)
788W x 796H x 16THK
(for Q-YD 9 only)



SWINGING WOODEN DOOR
YFD 13(Q)
788W x 1198H x 16THK
(for Q-YD 13 only)



SWINGING WOODEN DOOR
YFD 17(Q)
788W x 1598H x 16THK
(for Q-YD 17 only)



SWINGING GLASS DOOR WITH GLASS LOCK
YFG 9
754W x 774H x 5THK
(for Q-YG 9)



SWINGING WOODEN DOOR (LOWER)
YLD 9(Q)
788W x 796H x 16THK
(for Q-YOD 13, Q-YOD 17, Q-YOD 21,
Q-YTD 21, Q-YGD21)



SWINGING WOODEN DOOR (UPPER)
YUD 21(Q)
788W x 1200H x 16THK
(for Q-YTD 21 only)



SWINGING WOODEN DOOR
YFD 21(Q)
788W x 1998H x 16THK
(for Q-YD 21 only)



SWINGING GLASS DOOR WITH GLASS LOCK
YUG 21
754W x 1188H x 5THK
(for Q-YG 21)

SA55 SERIES

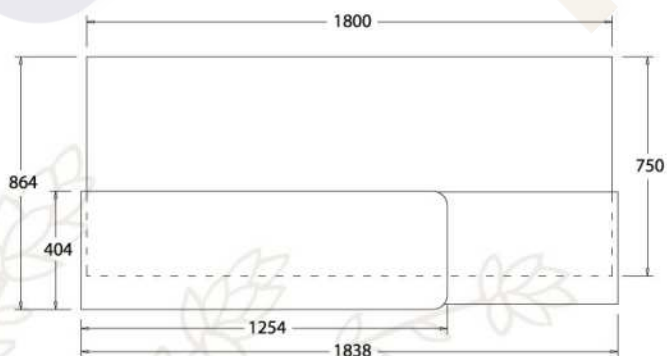


SOPHISTICATED OFFICE FURNITURE SYSTEM



Sleek Designs

Managing your space more intelligently

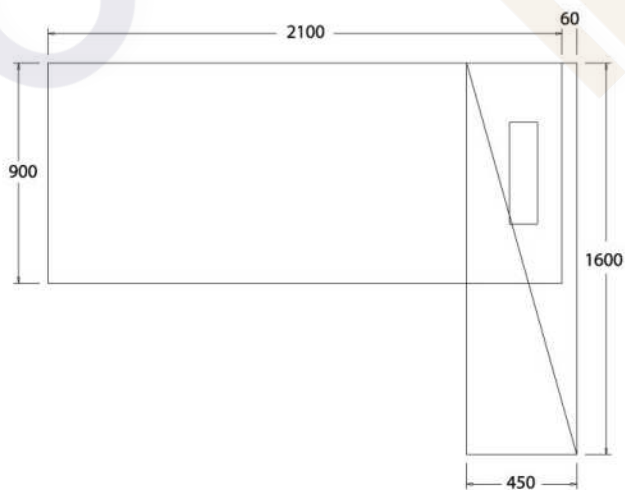


Minimalistic Office

Bearing in mind that every person's needs are different, SL55-Series office furniture is created with flexibility and functionality in mind. It is ideal for your minimalistic office.



B-SWE 2162(E)



EXECUTIVE

Exclusive Furniture

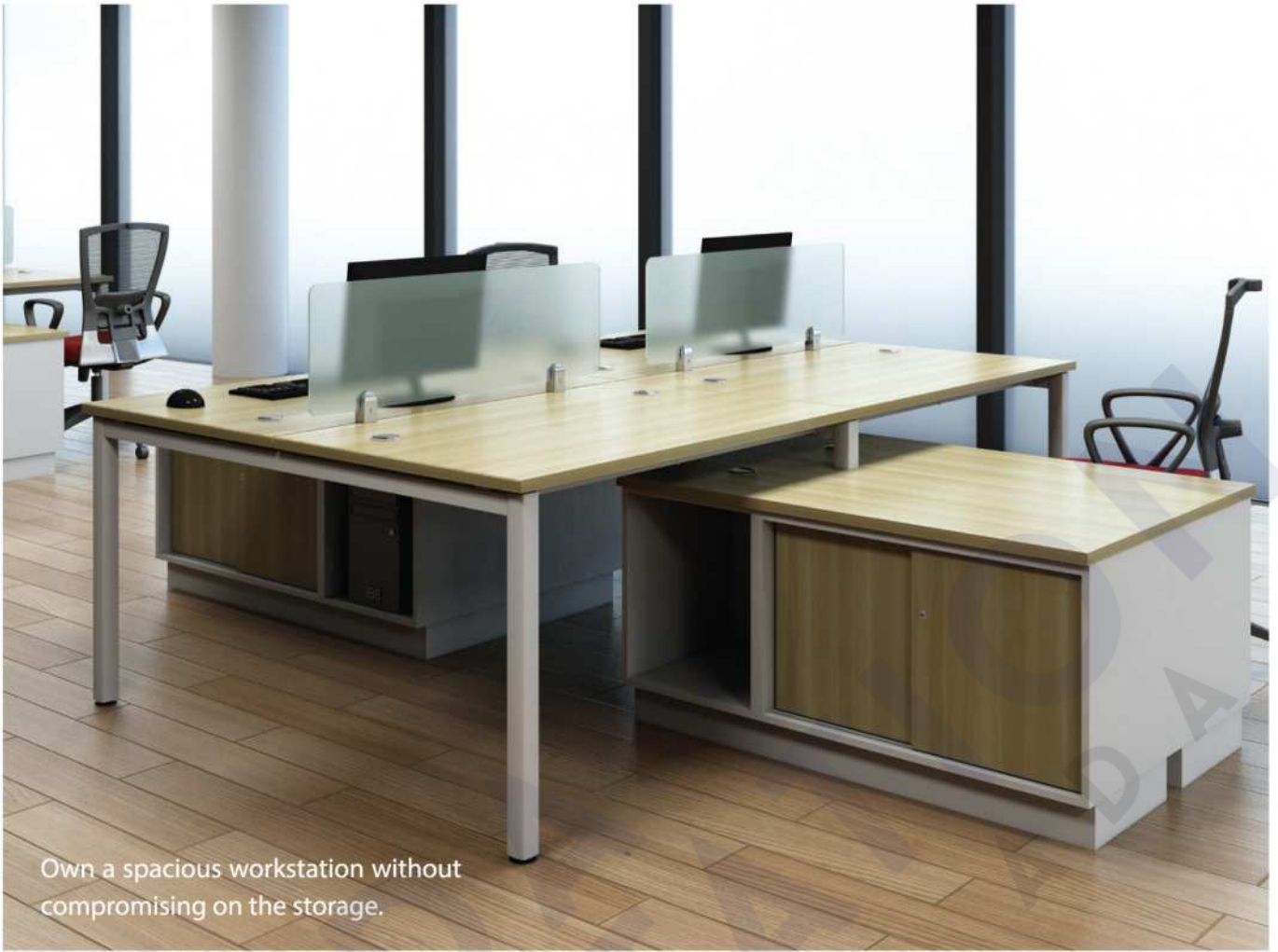
Beautifully crafted executive office desks suitable for both the Manager or the Executive.



SMB 180A + B-YSP 1226(E)

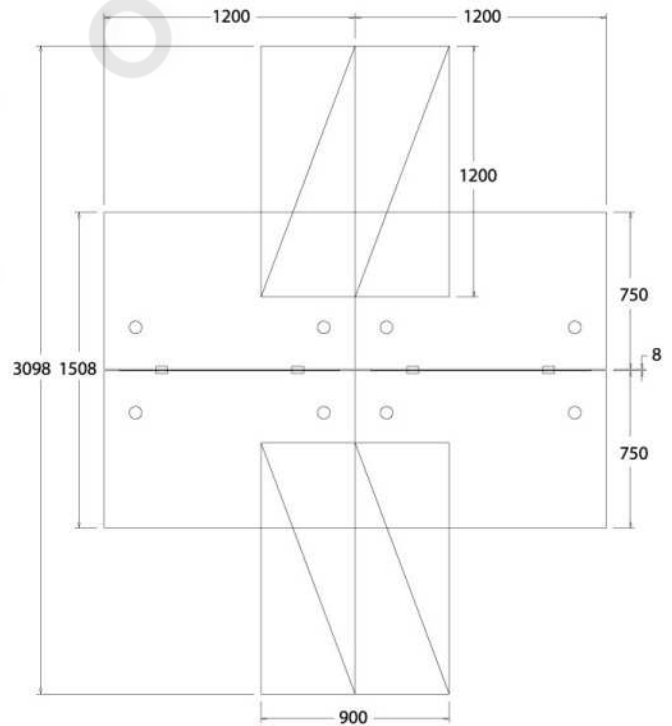


SWB 180A-SET

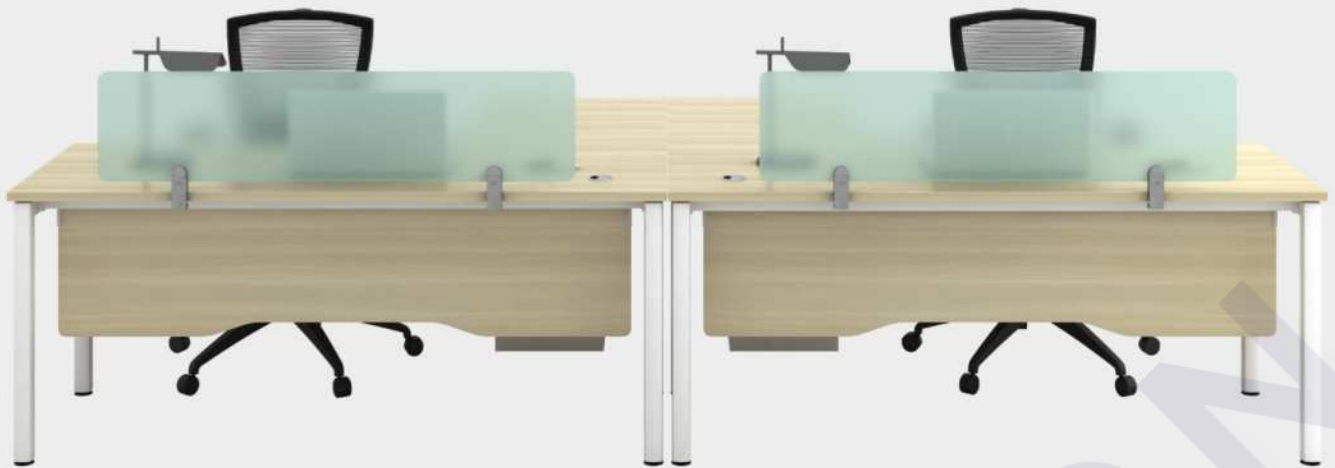


Own a spacious workstation without compromising on the storage.

SPACIOUS WORKSTATION

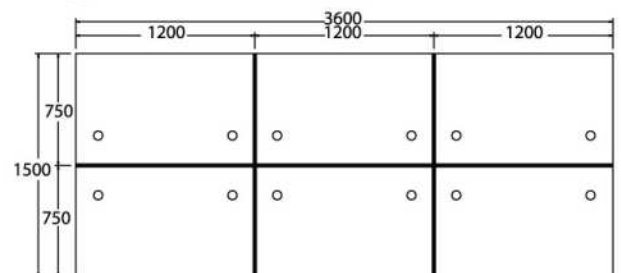


L-Shape Workstation

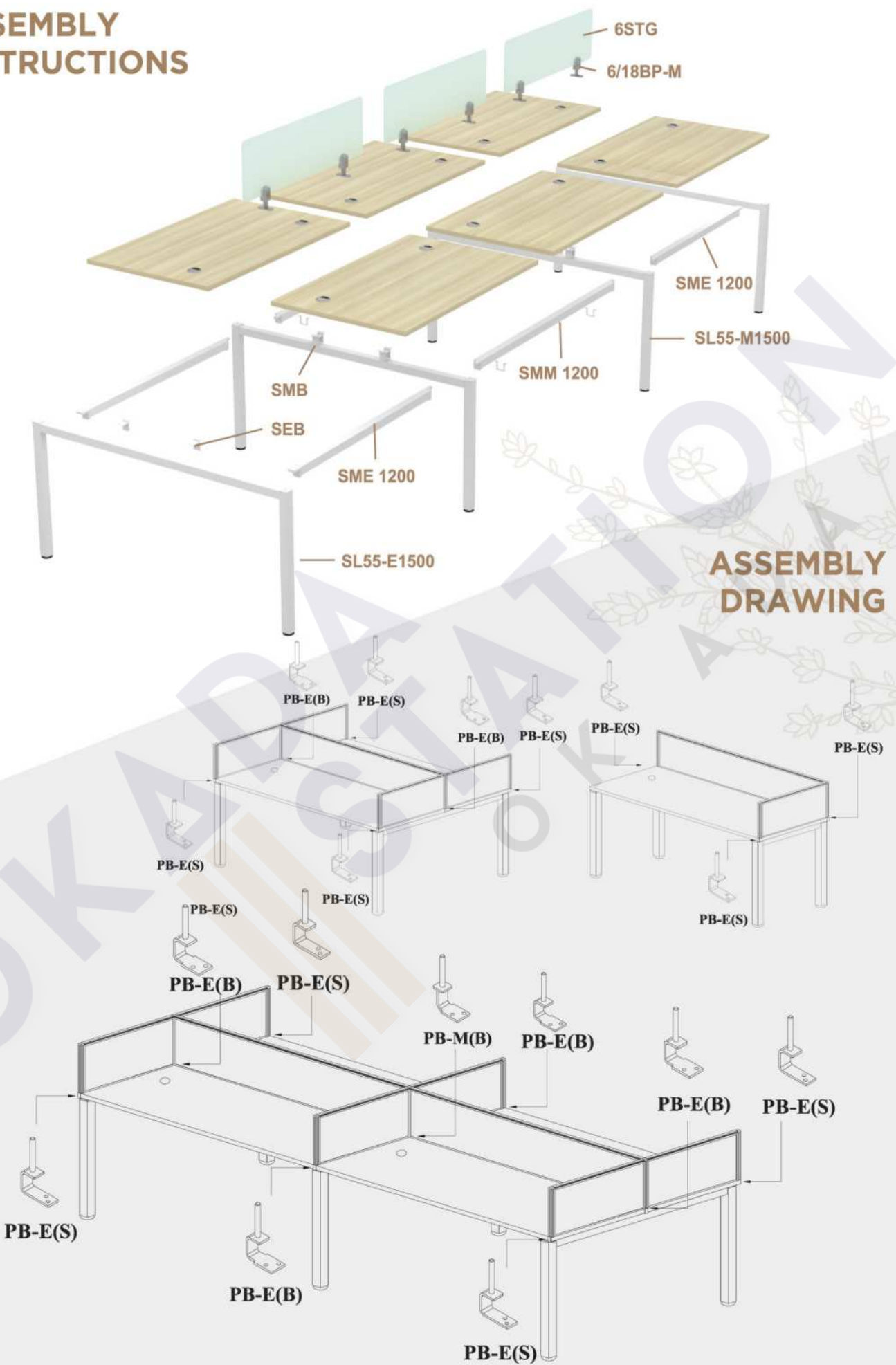


WORKSTATION CLUSTER OF 6

Create and customize a workstation your team will love. Keep the office landscape conducive to exchange of ideas and collaboration.



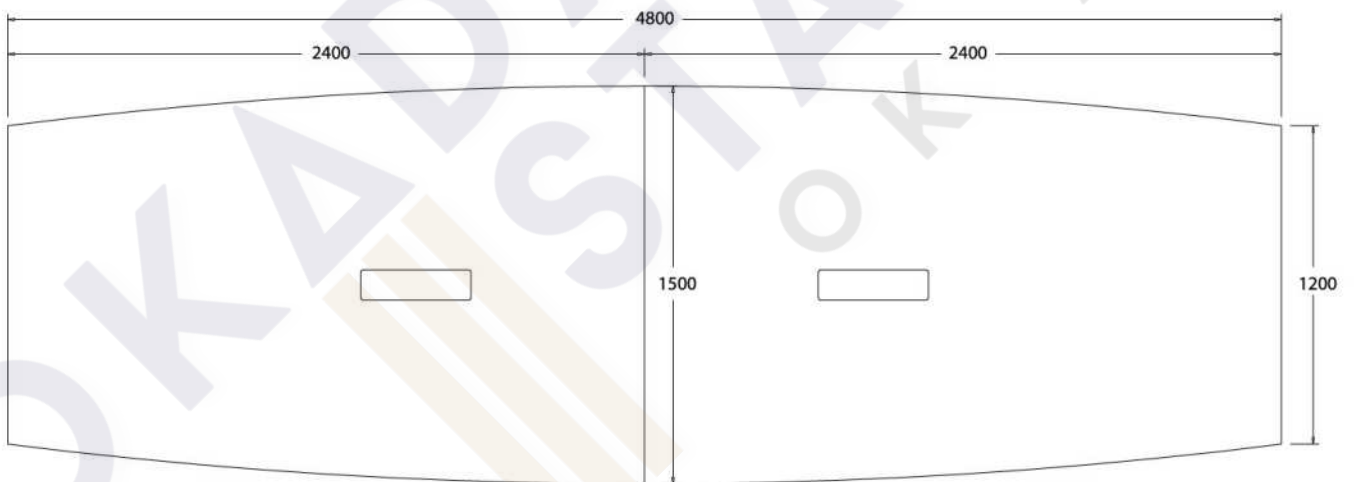
ASSEMBLY INSTRUCTIONS



ASSEMBLY DRAWING



SBB 48-SET



SVB 18



SVB 24

CABINET AND MOBILE PEDESTAL



Office Table And Pedestal Specification (SL55-Series)

EXECUTIVE TABLE AND STANDARD TABLE (WITH WOODEN FRONT PANEL)



EXECUTIVE TABLE
SWB 180A 1800W x 900D x 750H



STANDARD TABLE
SWT 127 1200W x 750D x 750H
SWT 157 1500W x 750D x 750H
SWT 187 1800W x 750D x 750H



STANDARD TABLE(W/O TEL CAP)
SWT 126 1200W x 600D x 750H
SWT 156 1500W x 600D x 750H

WOODEN FRONT PANEL AND ACCESSORIES



EXECUTIVE WOODEN FRONT PANEL
SF 1 1000W x 430H x 16THK
SF 3 1300W x 430H x 16THK
SF 5 1600W x 430H x 16THK

SUPERIOR COMPACT TABLE (WITH WOODEN FRONT PANEL)



SUPERIOR COMPACT TABLE (L)
SWL 552 1500W x 600 x 1500 x 600D x 750H
SWL 652 1800W x 600 x 1500 x 600D x 750H
SWL 1515 1500W x 700 x 1500 x 600D x 750H
SWL 1815 1800W x 700 x 1500 x 600D x 750H



SUPERIOR COMPACT TABLE (L)
SWL 552-3D 1500W x 600 x 1500 x 600D x 750H
SWL 652-3D 1800W x 600 x 1500 x 600D x 750H
SWL 1515-3D 1500W x 700 x 1500 x 600D x 750H
SWL 1815-3D 1800W x 700 x 1500 x 600D x 750H



SUPERIOR COMPACT TABLE (L)
SWL 552-4D 1500W x 600 x 1500 x 600D x 750H
SWL 652-4D 1800W x 600 x 1500 x 600D x 750H
SWL 1515-4D 1500W x 700 x 1500 x 600D x 750H
SWL 1815-4D 1800W x 700 x 1500 x 600D x 750H



WOODEN HANGING BRACKET
SHW 82W x 34D x 100H

EXECUTIVE TABLE AND STANDARD TABLE (WITH METAL FRONT PANEL)



EXECUTIVE TABLE
SMB 180A 1800W x 900D x 750H



STANDARD TABLE
SMT 127 1200W x 750D x 750H
SMT 157 1500W x 750D x 750H
SMT 187 1800W x 750D x 750H



STANDARD TABLE(W/O TEL CAP)
SMT 126 1200W x 600D x 750H
SMT 156 1500W x 600D x 750H

METAL FRONT PANEL AND ACCESSORIES



METAL FRONT PANEL
BW 1 1000W x 430H x 20D
BW 3 1300W x 430H x 20D
BW 5 1600W x 430H x 20D

SUPERIOR COMPACT TABLE (WITH METAL FRONT PANEL)



SUPERIOR COMPACT TABLE (L)
SML 552 1500W x 600 x 1500 x 600D x 750H
SML 652 1800W x 600 x 1500 x 600D x 750H
SML 1515 1500W x 700 x 1500 x 600D x 750H
SML 1815 1800W x 700 x 1500 x 600D x 750H



SUPERIOR COMPACT TABLE (L)
SML 552-3D 1500W x 600 x 1500 x 600D x 750H
SML 652-3D 1800W x 600 x 1500 x 600D x 750H
SML 1515-3D 1500W x 700 x 1500 x 600D x 750H
SML 1815-3D 1800W x 700 x 1500 x 600D x 750H



SUPERIOR COMPACT TABLE (L)
SML 552-4D 1500W x 600 x 1500 x 600D x 750H
SML 652-4D 1800W x 600 x 1500 x 600D x 750H
SML 1515-4D 1500W x 700 x 1500 x 600D x 750H
SML 1815-4D 1800W x 700 x 1500 x 600D x 750H



METAL HANGING BRACKET
SHM 82W x 34D x 465H

PEDESTAL (BODY IN WHITE COLOUR WITH CHAMFERED EDGE)

FIXED PEDESTAL WITHOUT TOP (HEIGHT OF 725MM)



FIXED PEDESTAL 2DIF (W/O TOP)
B-YHP 3(E) 396W x 446D x 725H



FIXED PEDESTAL 4D (W/O TOP)
B-YHP 4(E) 396W x 446D x 725H

MOBILE PEDESTAL (HEIGHT OF 620MM)



MOBILE PEDESTAL 2DIF
B-YMP 3(E) 400W x 480D x 620H



MOBILE PEDESTAL 4D
B-YMP 4(E) 400W x 480D x 620H

FIXED PEDESTAL WITHOUT TOP AND BASE (HEIGHT OF 630MM)



FIXED PEDESTAL 2DIF (W/O TOP AND BASE)
B-YP 3(E) 396W x 446D x 630H



FIXED PEDESTAL 4D (W/O TOP AND BASE)
B-YP 4(E) 396W x 446D x 630H

BASE



BASE
YB 400 380W x 350D x 95H

POWER TOWER



POWER TOWER
YPT 725 240W x 248D x 725H (WHITE COLOUR ONLY)

Side Cabinet For Table And Reception Counter Specification (SL55-Series)

SIDE CABINET HEIGHT OF 600MM (BODY IN WHITE COLOUR WITH CHAMFERED EDGE)

FOR STANDARD TABLE



OPEN SHELF + SWINGING DOOR(L)+ FIXED PEDESTAL 1D1F
B-YLP 1226(E)
1200W x 450D x 600H

OPEN SHELF + SWINGING DOOR(L) + FIXED PEDESTAL 3D
B-YLP 1236(E)
1200W x 450D x 600H

SIDE CABINET 1200W x 450D x 600H



OPEN SHELF + SLIDING DOOR
B-YOS 1206
1200W x 450D x 600H

SLIDING DOOR + FIXED PEDESTAL 1D1F
B-YSP 1226(E)
1200W x 450D x 600H

SLIDING DOOR + FIXED PEDESTAL 3D
B-YSP 1236(E)
1200W x 450D x 600H

OPEN SHELF + SWINGING DOOR(R) + FIXED PEDESTAL 1D1F
B-YRP 1226(E)
1200W x 450D x 600H

OPEN SHELF + SWINGING DOOR(R)+ FIXED PEDESTAL 3D
B-YRP 1236(E)
1200W x 450D x 600H

FOR WORKSTATION CLUSTER OF 2



FOR WORKSTATION CLUSTER OF 4



STANDARD TABLE (WITH WOODEN FRONT PANEL)
SWT 127-2 2400W x 750D x 750H
SWT 157-2 3000W x 750D x 750H
SWT 187-2 3600W x 750D x 750H

STANDARD TABLE (WITH METAL FRONT PANEL)
SMT 127-2 2400W x 750D x 750H
SMT 157-2 3000W x 750D x 750H
SMT 187-2 3600W x 750D x 750H

STANDARD TABLE (W/O FRONT PANEL)
ST 127-4 2400W x 1500D x 750H
ST 157-4 3000W x 1500D x 750H
ST 187-4 3600W x 1500D x 750H

SIDE CABINET 1200W x 900D x 600H



OPEN SHELF + SLIDING DOOR
B-YOS 1206-2
1200W x 900D x 600H

SLIDING DOOR + FIXED PEDESTAL 1D1F
B-YSP 1226-2(E)
1200W x 900D x 600H

SLIDING DOOR + FIXED PEDESTAL 3D
B-YSP 1236-2(E)
1200W x 900D x 600H

OPEN SHELF + SWINGING DOOR + FIXED PEDESTAL 1D1F
B-YDP 1226-2(E)
1200W x 900D x 600H

OPEN SHELF + SWINGING DOOR + FIXED PEDESTAL 3D
B-YDP 1236-2(E)
1200W x 900D x 600H

DIRECTOR TABLE SET (WITH SL55 METAL LEG)

(WITH WOODEN FRONT PANEL)

SIDE CABINET 1600W x 450D x 600H



DIRECTOR TABLE SET (Included YBV 20 1 unit)
B-SWE 2162(E)
2160W x 900 x 1600 x 450 x 750H

DIRECTOR TABLE SET (Included YBV 20 1 unit)
B-SWE 2163(E)
2160W x 900 x 1600 x 450 x 750H

OPEN SHELF + SLIDING DOOR + FIXED PEDESTAL 1D1F
B-YOSP 1626(E)
1600W x 450D x 600H

OPEN SHELF + SLIDING DOOR + FIXED PEDESTAL 3D
B-YOSP 1636(E)
1600W x 450D x 600H

EXECUTIVE RECEPTION COUNTER



EXECUTIVE RECEPTION COUNTER (L)
B-SCT 1500 1538W x 404D x 1050H

EXECUTIVE RECEPTION COUNTER (L)
B-SCT 1800 1838W x 404D x 1050H

EXECUTIVE RECEPTION COUNTER (L)
B-SCT BACK VIEW

Side Cabinet For Office Table Specification (SL55-Series)

PART OF DIRECTOR SET AND WORKSTATION

PART OF COMBINATION



DIRECTOR SURFACE PANEL
SDT 2100 2100W x 900D x 25THK
(Flipper Box YBV 20 NOT included)



DIRECTOR WOODEN FRONT PANEL
SEF 5 1600W x 430D x 16THK



EXECUTIVE WOODEN FRONT PANEL
SF 1 1000W x 430H x 16THK
SF 3 1300W x 430H x 16THK
SF 5 1600W x 430H x 16THK



WOODEN HANGING BARCKET
SHW 82W x 34D x 100H



METAL FRONT PANEL
BW 1 1000W x 430H x 20D
BW 3 1300W x 430H x 20D
BW 5 1600W x 430H x 20D



METAL HANGING BRACKET
SHM 82W x 34D x 465H

CABINET SURFACE PANEL AND BASE



CABINET SURFACE PANEL C/W CHROME CAP
PSC 800 800W x 450D x 25THK
PSC 1200 1200W x 450D x 25THK
PSC 1600 1600W x 450D x 25THK



CABINET SURFACE PANEL C/W CHROME CAP
PDC 800 800W x 900D x 25THK
PDC 1200 1200W x 900D x 25THK
PDC 1600 1600W x 900D x 25THK



BASE
YB 800 780W x 350D x 95H



BASE
YB 1200 1180W x 350D x 95H



BASE
YB 1600 1580W x 350D x 95H

CABINET, PEDESTAL AND DOOR



SWINGING WOODEN DOOR (L)
YDL 448(E)
390W x 463H x 16THK



SWINGING WOODEN DOOR (R)
YDR 448(E)
390W x 463H x 16THK



OPEN SHELF SIDE CABINET (W/O TOP AND BASE)
YO 448
396W x 430D x 480H



SLIDING DOOR SIDE CABINET (W/O TOP AND BASE)
B-YS 848
796W x 430D x 480H



FIXED PEDESTAL 1D1F (W/O TOP AND BASE)
B-YP 26(E)
396W x 446D x 480H



FIXED PEDESTAL 3D (W/O TOP AND BASE)
B-YP 36(E)
396W x 446D x 480H

COLOUR OPTION



BORAS ASH

**WITHOUT HANDLE
CHAMFERED
EDGE
(FOR CABINET)**



**WITHOUT HANDLE
CHAMFERED
EDGE
(FOR PEDESTAL)**



Conference Table And SL55 Metal Leg Specification (SL55-Series)

CONFERENCE TABLE



BOAT-SHAPE CONFERENCE TABLE (INCLUDED YBV 20 1 Unit)
SBB 18 1800W x 900/750D x 750H



BOAT-SHAPE CONFERENCE TABLE (INCLUDED YBV 20 1 Unit)
SBB 24 2400W x 1200/900D x 750H
(clw 2 units SL 55-725)



BOAT-SHAPE CONFERENCE TABLE (INCLUDED YBV 20 2 Units)
SBB 30 3000W x 1200/900D x 750H
SBB 36 3600W x 1500/1200D x 750H



BOAT-SHAPE CONFERENCE TABLE (INCLUDED YBV 20 2 Units)
SRR 48 4800W x 1500/1200D x 750H



RECTANGULAR CONFERENCE TABLE (INCLUDED YBV 20 1 Unit)
SVB 18 1800W x 900D x 750H



RECTANGULAR CONFERENCE TABLE (INCLUDED YBV 20 1 Unit)
SVB 24 2400W x 1200D x 750H
(clw 2 units SL 55-725)



RECTANGULAR CONFERENCE TABLE (INCLUDED YBV 20 2 units)
SVB 30 3000W x 1200D x 750H
SVB 36 3600W x 1500D x 750H



RECTANGULAR CONFERENCE TABLE (INCLUDED YBV 20 2 units)
SVB 48 4800W x 1500D x 750H

S LEG



S LEG
SL 55-E600 590W x 55D x 725H
SL 55-E700 690W x 55D x 725H
SL 55-E750 740W x 55D x 725H
SL 55-E900 890W x 55D x 725H



S LEG
SL 55-E1200 1190W x 55D x 725H
SL 55-E1400 1390W x 55D x 725H
SL 55-E1500 1490W x 55D x 725H



MIDDLE S LEG
SL 55-M600 590W x 55D x 725H
SL 55-M700 690W x 55D x 725H
SL 55-M750 740W x 55D x 725H
SL 55-M900 890W x 55D x 725H



MIDDLE S LEG
SL 55-M1200 1190W x 55D x 725H
SL 55-M1400 1390W x 55D x 725H
SL 55-M1500 1490W x 55D x 725H

S TUBE + LEG



S TUBE + LEG(L)
SL 55-E600-7 590W x 55D x 125/725H
SL 55-E700-7 690W x 55D x 125/725H
SL 55-E750-7 740W x 55D x 125/725H
SL 55-E900-7 890W x 55D x 125/725H



S TUBE + LEG(L)
SL 55-E1200-7 1190W x 55D x 125/725H
SL 55-E1400-7 1390W x 55D x 125/725H
SL 55-E1500-7 1490W x 55D x 125/725H



MIDDLE S TUBE + LEG
SL 55-M600-7 590W x 55D x 125/725H
SL 55-M700-7 690W x 55D x 125/725H
SL 55-M750-7 740W x 55D x 125/725H
SL 55-M900-7 890W x 55D x 125/725H



MIDDLE S TUBE + LEG
SL 55-M1200-7 1190W x 55D x 125/725H
SL 55-M1400-7 1390W x 55D x 125/725H
SL 55-M1500-7 1490W x 55D x 125/725H

S TUBE



S TUBE
SL 55-E600-125 590W x 55D x 125H
SL 55-E700-125 690W x 55D x 125H
SL 55-E750-125 740W x 55D x 125H
SL 55-E900-125 890W x 55D x 125H



S TUBE
SL 55-E1200-125 1190W x 55D x 125H
SL 55-E1400-125 1390W x 55D x 125H
SL 55-E1500-125 1490W x 55D x 125H



MIDDLE S TUBE
SL 55-M600-125 590W x 55D x 125H
SL 55-M700-125 690W x 55D x 125H
SL 55-M750-125 740W x 55D x 125H
SL 55-M900-125 890W x 55D x 125H



MIDDLE S TUBE
SL 55-M1200-125 1190W x 55D x 125H
SL 55-M1400-125 1390W x 55D x 125H
SL 55-M1500-125 1490W x 55D x 125H

CROSS BAR



END AND END CROSS BAR
SEE 1200 1160W x 41D x 14/54H
SEE 1500 1460W x 41D x 14/54H
SEE 1800 1760W x 41D x 14/54H
SEE 2400 2360W x 41D x 14/54H



MIDDLE AND END CROSS BAR
SME 1200 1200W x 41D x 14/54H
SME 1500 1500W x 41D x 14/54H
SME 1800 1800W x 41D x 14/54H



MIDDLE AND MIDDLE CROSS BAR
SMM 1200 1240W x 41D x 14/54H
SMM 1500 1540W x 41D x 14/54H
SMM 1800 1840W x 41D x 14/54H



SIDE RETURN CROSS BAR
SR 200 251W x 41D x 14/54H

STAND LEG AND ACCESSORIES



STAND S LEG
SL 55-725 120W x 120D x 725H



END BRACKET
SEB 68W x 40D x 55H



MIDDLE BRACKET
SMB 68W x 40D x 55H

Storage Cabinet Specification (SL55-Series)

LOW CABINET

HEIGHT OF 910MM



OPEN SHELF
LOW CABINET

B-YO 9 800W X 400D x 910H



SWINGING DOOR
LOW CABINET

B-YD 9(E) 800W x 400D x 910H



PIGEON HOLE
LOW CABINET

B-YP 9 800W x 400D x 910H



SLIDING DOOR
LOW CABINET

B-YS 9 800W x 400D x 910H



SWINGING GLASS DOOR
LOW CABINET

B-YG 9 800W x 400D x 910H

MEDIUM CABINET

HEIGHT OF 1310MM



OPEN SHELF MEDIUM CABINET

B-YO 13 800W x 400D x 1310H



SWINGING DOOR MEDIUM CABINET

B-YD 13(E) 800W x 400D x 1310H



SEMI SWINGING DOOR MEDIUM CABINET

B-YOD 13(E) 800W x 400D x 1310H



SLIDING DOOR SIDE CABINET

B-YS 303 900W x 450D x 700H

HEIGHT OF 1710MM



OPEN SHELF MEDIUM CABINET

B-YO 17 800W x 400D x 1710H



SWINGING DOOR MEDIUM CABINET

B-YD 17(E) 800W x 400D x 1710H



SEMI SWINGING DOOR MEDIUM CABINET

B-YOD 17(E) 800W x 400D x 1710H

HIGH CABINET

HEIGHT OF 2110MM



OPEN SHELF
HIGH CABINET

B-YO 21 800W x 400D x 2110H



SWINGING DOOR HIGH
CABINET

B-YD 21(E) 800W x 400D x 2110H



SEMI SWINGING DOOR
HIGH CABINET

B-YOD 21(E) 800W x 400D x 2110H



SWINGING DOOR HIGH CABINET

B-YTD 21(E) 800W x 400D x 2110H



SWINGING GLASS DOOR
HIGH CABINET

B-YGD 21(E) 800W X 400D x 2110H

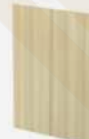
SWINGING WOODEN AND GLASS DOOR



SWINGING WOODEN DOOR

YFD 9(E)

788W x 780H x 16THK
(for B-YD 9(E) only)



SWINGING WOODEN DOOR

YFD 13(E)

788W x 1180H x 16THK
(for B-YD 13(E) only)



SWINGING WOODEN DOOR

YFD 17(E)

788W x 1598H x 16THK
(for B-YD 17(E) only)



SWINGING GLASS DOOR WITH GLASS LOCK

YFG 9

754W x 774H x 5THK
(for B-YG 9)



SWINGING WOODEN DOOR (LOWER)

YLD 9(E)

788W x 780H x 16THK
(for B-YOD 13(E), B-YOD 17(E),
B-YOD 21(E), B-YTD 21(E),
B-YGD 21(E))



SWINGING WOODEN DOOR (UPPER)

YUD 21(E)

788W x 1180H x 16THK
(for B-YTD 21(E) only)



SWINGING WOODEN DOOR

YFD 21(E)

788W x 1998H x 16THK
(for B-YD 21(E) only)



SWINGING GLASS DOOR WITH GLASS LOCK

YUG 21

754W x 1188H x 5THK
(for B-YGD 21(E))



FREEDOM AND FLEXIBILITY





QMB 180A-SET

INTELLIGENT DESIGN



QMB 33-SET



QMB 11-SET

Versatility

The Q-Series concept allows smart space utilization for the Director's or Manager's room.



QMB 55-SET

Q-YS 9

Q-YS 9



Create your own style

Incorporate your own preference to suit your personal needs.



QL 1815-3D(L)



QL 1815-4D(L)



QL 1815-M(L)



QL 1815(L)

INSPIRING

Beyond the Executive Desk

Make an impression with the Q-Series – unique, modern, and inspired design.



QT 188-SET



QT 158-SET

MEETING TABLE (ROUND)

Q-Series meeting table is designed to impress your visitors.



QR 90



QBC 30



QOC 18



QVE 18

Connecting People

The Q-Series supports daily meetings that connect people. A simple and clean style that galvanizes the team for collaborative effort.



**DIRECTOR
SET**

QX 2100-SET

Enable

People to work better

Empower people to work better by accommodating their individual working styles.



QX 1800-SET

Office Table Specification (Q-Series)

EXECUTIVE TABLE



EXECUTIVE TABLE
QMB 180A 1800W x 900D x 750H



EXECUTIVE TABLE
QMB 11 1800W x 800D x 750H



EXECUTIVE TABLE
QMB 55 1800W x 900D x 750H



EXECUTIVE TABLE (W/O TEL CAP)
QMB 33 1800W x 840D x 750H

SUPERIOR COMPACT TABLE



SUPERIOR COMPACT TABLE(L)
QL 1515 1500W x 700 x 1500 x 600D x 750H
QL 1815 1800W x 700 x 1500 x 600D x 750H



SUPERIOR COMPACT TABLE(L)
QL 1515-M 1500W x 700 x 1500 x 600D x 750H
QL 1815-M 1800W x 700 x 1500 x 600D x 750H



SUPERIOR COMPACT TABLE(L)
QL 1515-3D 1500W x 700 x 1500 x 600D x 750H
QL 1815-3D 1800W x 700 x 1500 x 600D x 750H



SUPERIOR COMPACT TABLE(L)
QL 1515-4D 1500W x 700 x 1500 x 600D x 750H
QL 1815-4D 1800W x 700 x 1500 x 600D x 750H

STANDARD TABLE AND CPU HOLDER



STANDARD TABLE
QT 128 1200W x 800D x 750H
QT 158 1500W x 800D x 750H
QT 188 1800W x 800D x 750H



STANDARD TABLE (W/O TEL CAP)
QT 126 1200W x 600D x 750H
QT 156 1500W x 600D x 750H



CPU HOLDER
YCPU 304W x 504D x 522H

METAL LEG AND METAL STAND (SILVER AND BLACK)



METAL J LEG (L)
QJS 82W x 625D x 725H
QJB 82W x 625D x 725H



METAL STAND
YSL 725 Ø75 x 725H



METAL STAND
YS 725 Ø75 x 725H
YB 725 Ø75 x 725H

CONFERENCE TABLE



OVAL CONFERENCE TABLE (Included YC400 1 Unit)
QOC 18 1800W x 900D x 750H (4 x YSL 725)
QOC 24 2400W x 1200D x 750H (6 x YSL 725)



RECTANGULAR CONFERENCE TABLE (Included YC400 1 Unit)
QVC 18 1800W x 900D x 750H (4 x YSL 725)
QVC 24 2400W x 1200D x 750H (6 x YSL 725)



BOAT-SHAPE CONFERENCE TABLE (Included YC400 2 Units)
QBC 30 3000W x 1200/900D x 750H (8 x YS 725)
QBC 48 4800W x 1500/1200D x 750H (10 x YS 725)



OVAL CONFERENCE TABLE (Included YC400 2 Units)
QIC 36 3600W x 1200D x 750H (8 x YS 725)



ROUND CONFERENCE TABLE
QR 90 900W x 900D x 750H
QR 120 1200W x 1200D x 750H

ACCESSORIES



OVAL CONFERENCE TABLE
QOE 18 1800W x 900D x 750H (4 x YSL 725, 1 x YS 725)
QOE 24 2400W x 1200D x 750H (6 x YSL 725)



RECTANGULAR CONFERENCE TABLE
QVE 18 1800W x 900D x 750H (4 x YSL 725, 1 x YS 725)
QVE 24 2400W x 1200D x 750H (6 x YSL 725)



FLAT JOINTING BRACKET
YFB 80W x 40D x 2THK



PVC L-BRACKET
YLB 20W x 28D x 20H

CONNECTION TOP



SIDE CONNECTION
YR 700 1292W x 700D x 25THK
YR 800 1476W x 800D x 25THK



SIDE CONNECTION
YCT 800 800W x 800D x 25THK



SIDE CONNECTION
YST 1045 1000W x 450D x 25THK



SIDE CONNECTION (L) (For QMB 33)
YR 311 1203W x 520D x 25THK



SIDE CONNECTION (FOR QMB 33)
YR 390 900W x 826D x 25THK

Storage Cabinet And Pedestal Specification (Q-Series)

PEDESTAL



MOBILE PEDESTAL 1D1F
Q-YM 2
400W x 480D x 560H



MOBILE PEDESTAL 3D
Q-YM 3
400W x 480D x 560H



MOBILE PEDESTAL 2D1F
Q-YMP 3
400W x 480D x 620H



MOBILE PEDESTAL 4D
Q-YMP 4
400W x 480D x 620H



FIXED PEDESTAL 1D1F
Q-YH 2
396W x 468D x 480H



FIXED PEDESTAL 3D
Q-YH 3
396W x 468D x 480H



RETURN DRAWER 2D
Q-YRD 2
396W x 376D x 340H

LOW CABINET AND PEDESTAL WITHOUT TOP



OPEN SHELF LOW CABINET
(W/O TOP)
YO 872 796W x 430D x 725H
YO 972 896W x 430D x 725H



SWINGING DOOR LOW CABINET
(W/O TOP)
Q-YD 872 796W x 446D x 725H
Q-YD 972 896W x 446D x 725H



SLIDING DOOR LOW CABINET
(W/O TOP)
Q-YS 872 796W x 430D x 725H
Q-YS 972 896W x 430D x 725H



FIXED PEDESTAL 2D1F
(W/O TOP)
Q-YHP 3
396W x 446D x 725H



FIXED PEDESTAL 4D
(W/O TOP)
Q-YHP 4
396W x 446D x 725H

LOW CABINET

LENGTH OF 800MM AND 900MM



OPEN SHELF LOW CABINET
Q-YO 875
800W x 450D x 750H
Q-YO 975
900W x 450D x 750H



SWINGING DOOR LOW CABINET
Q-YD 875
800W x 450D x 750H
Q-YD 975
900W x 450D x 750H



SLIDING DOOR LOW CABINET
Q-YS 875
800W x 450D x 750H
Q-YS 975
900W x 450D x 750H

COMBINATION OF LOW CABINET

LENGTH OF 1200MM



OPEN SHELF + FIXED
PEDESTAL 2D1F
Q-YOP 7123
1200W x 450D x 750H



SWINGING DOOR + FIXED
PEDESTAL 2D1F
Q-YDP 7123
1200W x 450D x 750H



SLIDING DOOR + FIXED
PEDESTAL 2D1F
Q-YSP 7123
1200W x 450D x 750H



OPEN SHELF + FIXED
PEDESTAL 4D
Q-YOP 7124
1200W x 450D x 750H



SWINGING DOOR + FIXED
PEDESTAL 4D
Q-YDP 7124
1200W x 450D x 750H



SLIDING DOOR + FIXED
PEDESTAL 4D
Q-YSP 7124
1200W x 450D x 750H

LENGTH OF 1600MM AND 1800MM



DUAL OPEN SHELF
LOW CABINET
Q-YOO 7160
1600W x 450D x 750H
Q-YOO 7180
1800W x 450D x 750H



DUAL SWINGING DOOR
LOW CABINET
Q-YDD 7160
1600W x 450D x 750H
Q-YDD 7180
1800W x 450D x 750H



DUAL SLIDING DOOR
LOW CABINET
Q-YSS 7160
1600W x 450D x 750H
Q-YSS 7180
1800W x 450D x 750H



OPEN SHELF + SWINGING
DOOR LOW CABINET
Q-YOD 7160
1600W x 450D x 750H
Q-YOD 7180
1800W x 450D x 750H



OPEN SHELF + SLIDING
DOOR LOW CABINET
Q-YOS 7160
1600W x 450D x 750H
Q-YOS 7180
1800W x 450D x 750H

Storage Cabinet Specification (Q-Series)

LOW CABINET

HEIGHT OF 910MM



OPEN SHELF
LOW CABINET
Q-YO 9 800W x 400D x 910H



SWINGING DOOR
LOW CABINET
Q-YD 9 800W x 400D x 910H



PIGEON HOLE
LOW CABINET
Q-YP 9 800W x 400D x 910H



SLIDING DOOR
LOW CABINET
Q-YS 9 800W x 400D x 910H



SWINGING GLASS DOOR
LOW CABINET
Q-YG 9 800W x 400D x 910H

MEDIUM CABINET

HEIGHT OF 1310MM



OPEN SHELF MEDIUM CABINET
Q-YO 13 800W x 400D x 1310H



SWINGING DOOR MEDIUM CABINET
Q-YD 13 800W x 400D x 1310H



SEMI SWINGING DOOR MEDIUM CABINET
Q-YOD 13 800W x 400D x 1310H



SLIDING DOOR SIDE CABINET
Q-YS 303 900W x 450D x 700H

HEIGHT OF 1710MM



OPEN SHELF MEDIUM CABINET
Q-YO 17 800W x 400D x 1710H



SWINGING DOOR MEDIUM CABINET
Q-YD 17 800W x 400D x 1710H



SEMI SWINGING DOOR MEDIUM CABINET
Q-YOD 17 800W x 400D x 1710H

HIGH CABINET

HEIGHT OF 2110MM



OPEN SHELF
HIGH CABINET
Q-YO 21 800W x 400D x 2110H



SWINGING DOOR
HIGH CABINET
Q-YD 21 800W x 400D x 2110H



SEMI SWINGING DOOR
HIGH CABINET
Q-YOD 21 800W x 400D x 2110H



SWINGING DOOR
HIGH CABINET
Q-YTD 21 800W x 400D x 2110H



SWINGING GLASS DOOR
HIGH CABINET
Q-YGD 21 800W x 400D x 2110H

Director Table Specification (Q-Series)

DIRECTOR TABLE (WITH WOODEN SIDE PANEL)

OPTION OF SIDE CABINET 1200W x 450D x 600H



DIRECTOR TABLE (TOP 41THK)
QX 1800 1800W x 900D x 750H
QX 2100 2100W x 900D x 750H



**FIXED PEDESTAL 1D1F+
 OPEN SHELF +
 SWINGING DOOR(R)**
Q-YRP 6122
 1200W x 450D x 600H



**FIXED PEDESTAL 3D+
 OPEN SHELF +
 SWINGING DOOR(R)**
Q-YRP 6123
 1200W x 450D x 600H



**FIXED PEDESTAL 1D1F +
 OPEN SHELF +
 SWINGING DOOR(L)**
Q-YLP 6122
 1200W x 450D x 600H



**FIXED PEDESTAL 3D +
 OPEN SHELF +
 SWINGING DOOR(L)**
Q-YLP 6123
 1200W x 450D x 600H



**SIDE
 CONNECTION**
 (For QX 1800 / QX 2100)
QXR 700 1292W x 700D x 25THK



**SLIDING DOOR +
 FIXED PEDESTAL 1D1F**
Q-YSP 6122
 1200W x 450D x 600H



**SLIDING DOOR +
 FIXED PEDESTAL 3D**
Q-YSP 6123
 1200W x 450D x 600H



**OPEN SHELF +
 SLIDING DOOR**
Q-YOS 6120
 1200W x 450D x 600H

PART OF COMBINATION



SINGLE

CABINET SURFACE PANEL
YST 800 800W x 450D x 25THK
YST 1200 1200W x 450D x 25THK
YST 1600 1600W x 450D x 25THK



DOUBLE

CABINET SURFACE PANEL
YDT 800 800W x 900D x 25THK
YDT 1200 1200W x 900D x 25THK
YDT 1600 1600W x 900D x 25THK



BASE
YB 800 780W x 350D x 95H



BASE
YB 1200 1180W x 350D x 95H



BASE
YB 1600 1580W x 350D x 95H

CABINET AND PEDESTAL



**SWINGING WOODEN
 DOOR (L)**
YDL 448(Q)
 390W x 478H x 16THK



**SWINGING WOODEN
 DOOR (R)**
YDR 448(Q)
 390W x 478H x 16THK



**OPEN SHELF SIDE CABINET
 (W/O TOP AND BASE)**
YO 448
 396W x 430D x 480H



**SLIDING DOOR SIDE CABINET
 (W/O TOP AND BASE)**
Q-YS 848
 796W x 430D x 480H



**FIXED PEDESTAL 1D1F
 (W/O TOP AND BASE)**
Q-YP 26
 396W x 446D x 480H



**FIXED PEDESTAL 3D
 (W/O TOP AND BASE)**
Q-YP36
 396W x 446D x 480H

SWINGING WOODEN AND GLASS DOOR



**SWINGING WOODEN DOOR
YFD 9(Q)**
788W x 796H x 16THK
(for Q-YD 9 only)



**SWINGING WOODEN DOOR
YFD 13(Q)**
788W x 1198H x 16THK
(for Q-YD 13 only)



**SWINGING WOODEN DOOR
YFD 17(Q)**
788W x 1598H x 16THK
(for Q-YD 17 only)



**SWINGING GLASS DOOR
WITH GLASS LOCK
YFG 9**
754W x 774H x 5THK
(for Q-YG 9)



**SWINGING WOODEN DOOR
(LOWER)
YLD 9(Q)**
788W x 796H x 16THK
(for Q-YOD 13, Q-YOD 17,
Q-YOD 21, Q-YTD 21,
Q-YGD 21)



**SWINGING WOODEN DOOR
(UPPER)
YUD 21(Q)**
788W x 1200H x 16THK
(for Q-YTD 21 only)



**SWINGING WOODEN DOOR
YFD 21(Q)**
788W x 1998H x 16THK
(for Q-YD 21 only)



**SWINGING GLASS DOOR
WITH GLASS LOCK
YUG 21**
754W x 1188H x 5THK
(for Q-YGD 21)

PART OF COMBINATION

CABINET SURFACE PANEL AND BASE



CABINET SURFACE PANEL
YST 800 800W x 450D x 25THK
YST 900 900W x 450D x 25THK
YST 1200 1200W x 450D x 25THK
YST 1600 1600W x 450D x 25THK
YST 1800 1800W x 450D x 25THK



CABINET SURFACE PANEL
YDT 800 800W x 900D x 25THK
YDT 900 900W x 900D x 25THK
YDT 1200 1200W x 900D x 25THK
YDT 1600 1600W x 900D x 25THK
YDT 1800 1800W x 900D x 25THK



BASE
YB 400 380W x 350D x 95H
YB 800 780W x 350D x 95H
YB 900 880W x 350D x 95H



BASE
YB 1200 1180W x 350D x 95H



BASE
YB 1600 1580W x 350D x 95H



BASE
YB 1800 1780W x 350D x 95H

CABINET AND PEDESTAL WITHOUT TOP AND BASE



**OPEN SHELF LOW CABINET
(W/O TOP AND BASE)**
YO 863
796W x 430D x 630H
YO 963
896W x 430D x 630H



SWINGING WOODEN DOOR
YFD 863(Q)
790W x 628H x 16THK
YFD 963(Q)
890W x 628H x 16THK



**SLIDING DOOR LOW CABINET
(W/O TOP AND BASE)**
Q-YS 863
796W x 430D x 630H
Q-YS 963
896W x 430D x 630H



**FIXED PEDESTAL 2DIF
(W/O TOP AND BASE)**
Q-YP 3
396W x 446D x 630H



**FIXED PEDESTAL 4D
(W/O TOP AND BASE)**
Q-YP 4
396W x 446D x 630H

COLOUR OPTION



BORAS ASH



WALNUT



MAPLE



CARTIER HANDLE

HANDLE OPTION

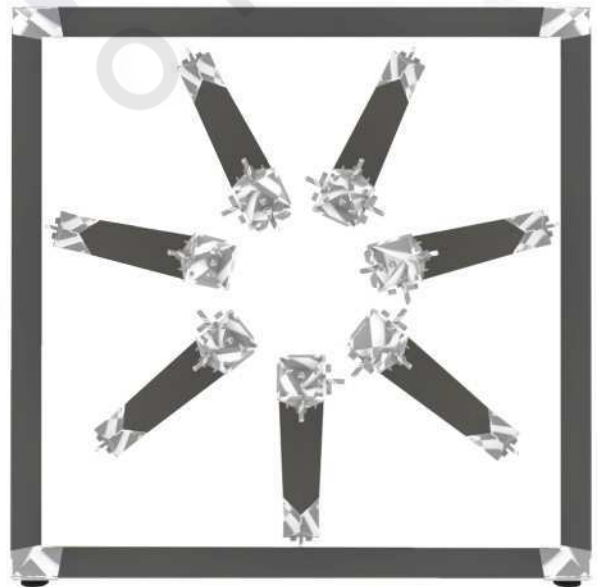
The furniture colours in all the photographs featured in this catalog may vary from the actual products due to photography lighting and limitation of the print production process.

DIMENSION
W x D x H mm

* SUBJECT TO CHANGE
WITHOUT PRIOR NOTICE



SERIES

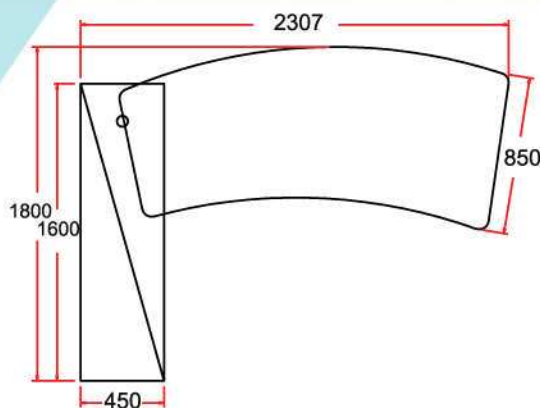


MODERN DIRECTOR SET



Q-OXL 2462-SET

“Success” will generally mean a long-term increase in value but fundamentally it is up to each director to decide. O series modern director set symbolize the nobility and generosity of work space in contemporary style.



Q-OXL 2462

EXECUTIVE TABLE



OWB 180A-SET

VS presents executive office tables of elegant look and best quality. The professional office furniture being right choice that will revitalize your work environment.



OMB 180A-SET

SUPERIOR COMPACT TABLE



With our O leg L shape table, you may ease your mind when you want to piece together a long length, sprawling desk. This will work beautifully, instant expansion.

OML 1815-3D (L)



OML 1815-4D (L)



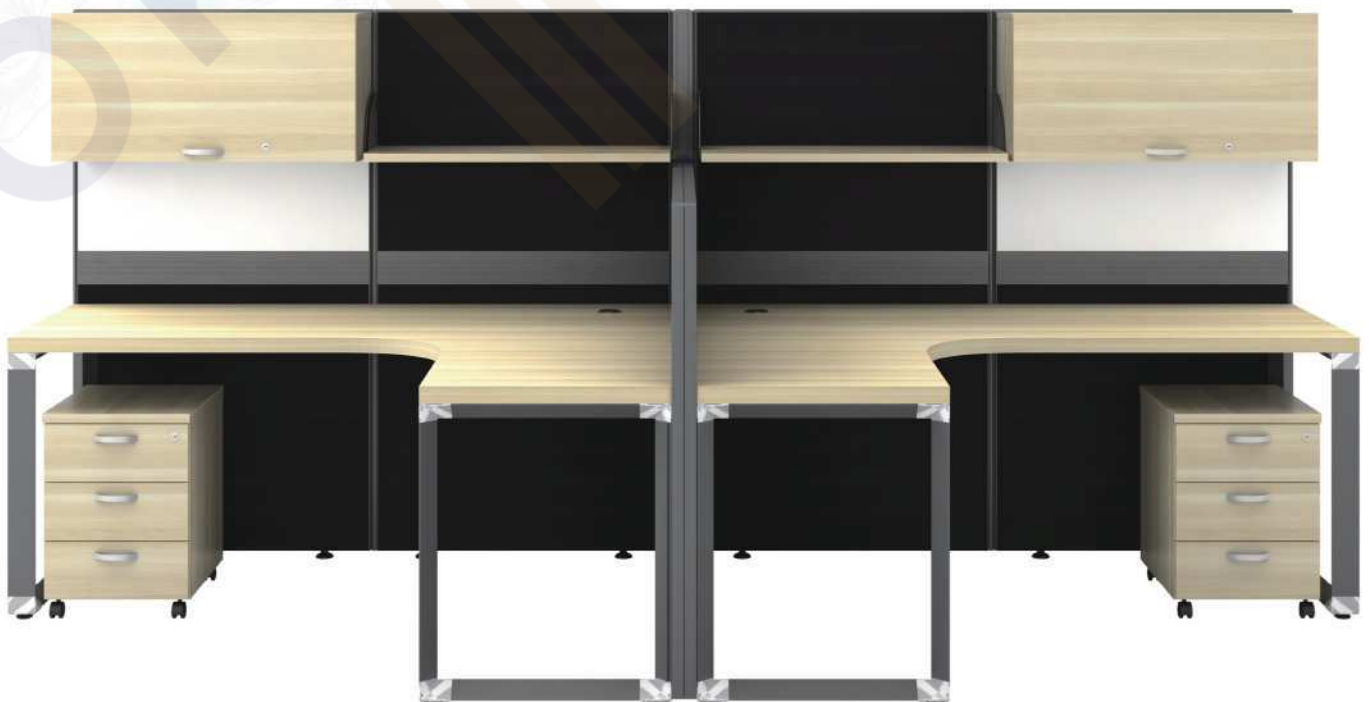
OML 1815 (L)

WORKSTATION ⇒ CLUSTER OF 2

By dividing a space provide both storage and partitioning – two birds with one stone, keeps the feeling of open space and unified offices. It leads to visible spot, additional content and dynamics in the vast space.



60-OL-2



Conference table O leg design makes every meeting associates to a distinct discussion. Besides well thought yet simple of this conference model, you'll love the dignified design when you and your team are gathered for a vital and supreme task.

CONFERENCE TABLE



OVB 30-SET

OFFICE TABLE SPECIFICATION

EXECUTIVE TABLE AND STANDARD TABLE (WITH WOODEN FRONT PANEL)



EXECUTIVE TABLE
OWB 180A
 1800W x 900D x 750H



STANDARD TABLE
OWT 127 1200W x 750D x 750H
OWT 157 1500W x 750D x 750H
OWT 187 1800W x 750D x 750H



STANDARD TABLE (W/O TEL CAP)
OWT 126 1200W x 600D x 750H
OWT 156 1500W x 600D x 750H

WOODEN FRONT PANEL



WOODEN FRONT PANEL
OF 1 1000W x 430H x 16THK
OF 3 1300W x 430H x 16THK
OF 5 1600W x 430H x 16THK

SUPERIOR COMPACT TABLE (WITH WOODEN FRONT PANEL)



SUPERIOR COMPACT TABLE (L)
OWL 552 1500W x 600 x 1500 x 600D x 750H
OWL 652 1800W x 600 x 1500 x 600D x 750H
OWL 1515 1500W x 700 x 1500 x 600D x 750H
OWL 1815 1800W x 700 x 1500 x 600D x 750H



SUPERIOR COMPACT TABLE (L)
OWL 552-3D 1500W x 600 x 1500 x 600D x 750H
OWL 652-3D 1800W x 600 x 1500 x 600D x 750H
OWL 1515-3D 1500W x 700 x 1500 x 600D x 750H
OWL 1815-3D 1800W x 700 x 1500 x 600D x 750H



SUPERIOR COMPACT TABLE (L)
OWL 552-4D 1500W x 600 x 1500 x 600D x 750H
OWL 652-4D 1800W x 600 x 1500 x 600D x 750H
OWL 1515-4D 1500W x 700 x 1500 x 600D x 750H
OWL 1815-4D 1800W x 700 x 1500 x 600D x 750H

ACCESSORIES



WOODEN HANGING BRACKET
MP-B
 100W x 50D x 122H

EXECUTIVE TABLE AND STANDARD TABLE (WITH METAL FRONT PANEL)



EXECUTIVE TABLE
OMB 180A
 1800W x 900D x 750H



STANDARD TABLE
OMT 127 1200W x 750D x 750H
OMT 157 1500W x 750D x 750H
OMT 187 1800W x 750D x 750H



STANDARD TABLE (W/O TEL CAP)
OMT 126 1200W x 600D x 750H
OMT 156 1500W x 600D x 750H

METAL FRONT PANEL



METAL FRONT PANEL
MP 1300 1000W x 380H x 26D
MP 1500 1200W x 380H x 26D
MP 1800 1500W x 380H x 26D

SUPERIOR COMPACT TABLE (WITH METAL FRONT PANEL)



SUPERIOR COMPACT TABLE (L)
OML 552 1500W x 600 x 1500 x 600D x 750H
OML 652 1800W x 600 x 1500 x 600D x 750H
OML 1515 1500W x 700 x 1500 x 600D x 750H
OML 1815 1800W x 700 x 1500 x 600D x 750H



SUPERIOR COMPACT TABLE (L)
OML 552-3D 1500W x 600 x 1500 x 600D x 750H
OML 652-3D 1800W x 600 x 1500 x 600D x 750H
OML 1515-3D 1500W x 700 x 1500 x 600D x 750H
OML 1815-3D 1800W x 700 x 1500 x 600D x 750H



SUPERIOR COMPACT TABLE (L)
OML 552-4D 1500W x 600 x 1500 x 600D x 750H
OML 652-4D 1800W x 600 x 1500 x 600D x 750H
OML 1515-4D 1500W x 700 x 1500 x 600D x 750H
OML 1815-4D 1800W x 700 x 1500 x 600D x 750H

BOAT SHAPE CONFERENCE TABLE



BOAT-SHAPE CONFERENCE TABLE
(Included YBV 20 1 unit)
OBB 18 1800W x 900/750D x 750H



BOAT-SHAPE CONFERENCE TABLE
(Included YBV 20 1 Unit)
OBB 24 2400W x 1200/900D x 750H



BOAT-SHAPE CONFERENCE TABLE
(Included YBV 20 2 units)
OBB 30 3000W x 1200/900D x 750H
OBB 36 3600W x 1500/1200D x 750H



BOAT-SHAPE CONFERENCE TABLE
(Included YBV 20 2 units)
OBB 48 4800W x 1500/1200D x 750H

RECTANGULAR CONFERENCE TABLE



RECTANGULAR CONFERENCE TABLE
(Included YBV 20 1 unit)
OVB 18 1800W x 900D x 750H



RECTANGULAR CONFERENCE TABLE
(Included YBV 20 1 unit)
OVB 24 2400W x 1200D x 750H



RECTANGULAR CONFERENCE TABLE
(Included YBV 20 2 units)
OVB 30 3000W x 1200D x 750H
OVB 36 3600W x 1500D x 750H



RECTANGULAR CONFERENCE TABLE
(Included YBV 20 2 units)
OVB 48 4800W x 1500D x 750H

LOW CABINET

HEIGHT OF 750MM



OPEN SHELF LOW CABINET
Q-OD 775 750W x 450D x 750H
Q-OD 975 900W x 450D x 750H



SWINGING DOOR LOW CABINET
Q-OD 775 750W x 450D x 750H
Q-OD 975 900W x 450D x 750H



SLIDING DOOR LOW CABINET
Q-OS 775 750W x 450D x 750H
Q-OS 975 900W x 450D x 750H



HANGING CABINET
Q-OC 750 725W x 350D x 425H
Q-OC 900 875W x 350D x 425H



RACK PANEL
OP 750 725W x 350D x 25THK
OP 900 875W x 350D x 25THK

MEDIUM CABINET

HEIGHT OF 1200MM



OPEN SHELF MEDIUM CABINET
Q-OD 712 750W x 450D x 1200H
Q-OD 912 900W x 450D x 1200H



SWINGING DOOR MEDIUM CABINET
Q-OD 712 750W x 450D x 1200H
Q-OD 912 900W x 450D x 1200H



HEIGHT OF 1800MM

OPEN SHELF MEDIUM CABINET
Q-OD 718 750W x 450D x 1800H
Q-OD 918 900W x 450D x 1800H



SWINGING DOOR MEDIUM CABINET
Q-OD 718 750W x 450D x 1800H
Q-OD 918 900W x 450D x 1800H



HIGH CABINET

HEIGHT OF 2000MM

SWINGING GLASS DOOR HIGH CABINET
Q-OGD 720 750W x 450D x 2000H
Q-OGD 920 900W x 450D x 2000H

SWINGING WOODEN DOOR



SWINGING WOODEN DOOR
OFD 775(Q) 738W x 638H x 16THK
(for Q-OD 775 only)
OFD 975(Q) 888W x 638H x 16THK
(for Q-OD 975 only)



SWINGING WOODEN DOOR
OFD 712(Q) 738W x 1088H x 16THK
(for Q-OD 712 only)
OFD 912(Q) 888W x 1088H x 16THK
(for Q-OD 912 only)



SWINGING WOODEN DOOR
OFD 718(Q) 738W x 1688H x 16THK
(for Q-OD 718 only)
OFD 918(Q) 888W x 1688H x 16THK
(for Q-OD 918 only)

PEDESTAL



MOBILE PEDESTAL 1D1F
Q-YM 2 400W x 480D x 560H



MOBILE PEDESTAL 3D
Q-YM 3 400W x 480D x 560H



MOBILE PEDESTAL 2D1F
Q-YMP 3 400W x 480D x 620H



MOBILE PEDESTAL 4D
Q-YMP 4 400W x 480D x 620H



FIXED PEDESTAL 2D1F (W/O TOP)
Q-YHP 3 396W x 446D x 725H



FIXED PEDESTAL 4D (W/O TOP)
Q-YHP 4 396W x 446D x 725H

PART OF COMBINATION



FIXED PEDESTAL 2D1F (W/O TOP AND BASE)
Q-YP 3 396W x 446D x 630H



FIXED PEDESTAL 4D (W/O TOP AND BASE)
Q-YP 4 396W x 446D x 630H

BASE



BASE
YB 400 380W x 350D x 95H

LEG



O LEG
LS 600 594W x 76D x 725H
LS 700 694W x 76D x 725H
LS 750 744W x 76D x 725H

ACCESSORIES



VERTEBRAL FLOOR WIRE HOLDER
VFWH



DIRECTOR TABLE SET (WITH O LEG)



DIRECTOR TABLE SET (Table Top 41THK)
Q-0XL 2462
2307W x 850 x 1800 x 450 x 766H



DIRECTOR TABLE SET (Table Top 41THK)
Q-0XR 2462
2307W x 850 x 1800 x 450 x 766H



DIRECTOR TABLE SET (Table Top 41THK)
Q-0XL 2463
2307W x 850 x 1800 x 450 x 766H



DIRECTOR TABLE SET (Table Top 41THK)
Q-0XR 2463
2307W x 850 x 1800 x 450 x 766H

SIDE CABINET 1600W x 450D x 600H



OPEN SHELF + SLIDING DOOR + FIXED PEDESTAL 1D1F
Q-YOSP 1626
1600W x 450D x 600H



OPEN SHELF + SLIDING DOOR + FIXED PEDESTAL 3D
Q-YOSP 1636
1600W x 450D x 600H

PART OF COMBINATION

PART OF DIRECTOR SET



DIRECTOR SURFACE PANEL (R)
OXT 2400
2100W x 850/700D x 41THK



DIRECTOR WOODEN FRONT PANEL
OXF 2400
1600W x 500/400D x 16THK



DIRECTOR O LEG
L 2400



WOODEN HANGING BRACKET
MP-R
100W x 50D x 122H

CABINET SURFACE PANEL AND BASE



CABINET SURFACE PANEL C/W CHROME CAP
PSC 800 800W x 450D x 25THK
PSC 1200 1200W x 450D x 25THK
PSC 1600 1600W x 450D x 25THK



BASE
YB 800
780W x 350D x 95H



BASE
YB 1200
1180W x 350D x 95H



BASE
YB 1600
1580W x 350D x 95H

CABINET AND PEDESTAL



SWINGING WOODEN DOOR (L)
YDSL 448(Q)
390W x 478H x 16THK



SWINGING WOODEN DOOR (R)
YDSR 448(Q)
390W x 478H x 16THK



OPEN SHELF SIDE CABINET (W/O TOP AND BASE)
YO 448
396W x 430D x 480H



SLIDING DOOR SIDE CABINET (W/O TOP AND BASE)
Q-YS 848
796W x 430D x 480H



FIXED PEDESTAL 1D1F (W/O TOP AND BASE)
Q-YP 26
396W x 446D x 480H



FIXED PEDESTAL 3D (W/O TOP AND BASE)
Q-YP 36
396W x 446D x 480H

HANDLE OPTION



CARTIER HANDLE

HINGES OPTION



SOFT CLOSE HINGES

COLOUR OPTION



BORAS ASH

DIMENSION
W x D x H mm

The furniture colours in all the photographs featured in this catalog may vary from the actual products due to photography lighting and limitation of the print production process.

* SUBJECT TO CHANGE WITHOUT PRIOR NOTICE

EX

series



OFFICE FURNITURE



CLASSICAL SIMPLICITY



RECEPTION COUNTER



EXCT 1715(L)

PRACTICAL

Classic office furniture that is practical and beautiful at the same time.



EXMB 180A-SET



EXL 1815-SET

Exquisite Workspace

Exceptional office furniture

The EX-Series delivers an exceptional feel that allows you to enjoy working in your office while staying productive.



DURABLE MEETING TABLE

GATHER AND DISCUSS

Meetings are undoubtedly one of the most important activities in an office. The EX-Series meeting table is available in several sizes and shapes to suit your requirements.



EXO 18

Office Table And Pedestal Specification (EX-Series)

EXECUTIVE TABLE



EXECUTIVE TABLE
EXMB 180A 1800W x 900D x 750H

STANDARD AND SIDE TABLE



STANDARD TABLE
EXT 127 1200W x 700D x 750H
EXT 157 1500W x 700D x 750H
EXT 187 1800W x 700D x 750H
EXT 188 1800W x 800D x 750H



STANDARD TABLE (W/O TEL CAP)
EXT 126 1200W x 600D x 750H



SIDE TABLE
EXS 1060 900W x 450D x 700H

RECEPTION COUNTER

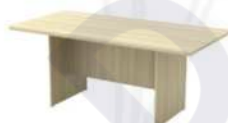


RECEPTION COUNTER TOP
EXC 120 1200W x 300D x 300H
EXC 150 1500W x 300D x 300H
EXC 180 1800W x 300D x 300H

CONFERENCE TABLE



OVAL CONFERENCE TABLE
EXO 18 1800W x 900D x 750H
EXO 24 2400W x 1200D x 750H



RECTANGULAR CONFERENCE TABLE
EXV 18 1800W x 900D x 750H
EXV 24 2400W x 1200D x 750H



ROUND CONFERENCE TABLE
EXR 90 900W x 900D x 750H
EXR 120 1200W x 1200D x 750H



SUPERIOR COMPACT TABLE (L)
EXL 552 1500W x 600 x 1500 x 600D x 750H
EXL 652 1800W x 600 x 1500 x 600D x 750H
EXL 1515 1500W x 700 x 1500 x 600D x 750H
EXL 1815 1800W x 700 x 1500 x 600D x 750H

SIDE CONNECTION



SIDE CONNECTION
YCT 700 700W x 700D x 25THK

PEDESTAL



MOBILE PEDESTAL 1D1F
Q-YM 2 400W x 480D x 560H



MOBILE PEDESTAL 3D
Q-YM 3 400W x 480D x 560H



MOBILE PEDESTAL 2D1F
Q-YMP 3 400W x 480D x 620H



MOBILE PEDESTAL 4D
Q-YMP 4 400W x 480D x 620H



FIXED PEDESTAL 1D1F
Q-YH 2 396W x 468D x 480H

EXECUTIVE RECEPTION COUNTER



FIXED PEDESTAL 3D
Q-YH 3
396W x 468D x 480H



RETURN DRAWER 2D
Q-YRD 2
396W x 376D x 340H



EXECUTIVE RECEPTION COUNTER
EXCT 1800 1800W x 900D x 1050H
EXCT 2100 2100W x 900D x 1050H



EXECUTIVE RECEPTION COUNTER (L)
EXCT 1715 1750W x 750 x 1500 x 750D x 1150H

Storage Cabinet Specification (EX-Series)

LOW CABINET

HEIGHT OF 910MM



OPEN SHELF LOW CABINET

Q-YO 9 800W x 400D x 910H



SWINGING DOOR LOW CABINET

Q-YD 9 800W x 400D x 910H



PIGEON HOLE LOW CABINET

Q-YP 9 800W x 400D x 910H



SLIDING DOOR LOW CABINET

Q-YS 9 800W x 400D x 910H



SWINGING GLASS DOOR LOW CABINET

Q-YG 9 800W x 400D x 910H

MEDIUM CABINET

HEIGHT OF 1310MM



OPEN SHELF MEDIUM CABINET

Q-YO 13 800W x 400D x 1310H



SWINGING DOOR MEDIUM CABINET

Q-YD 13 800W x 400D x 1310H



SEMI SWINGING DOOR MEDIUM CABINET

Q-YOD 13 800W x 400D x 1310H



SLIDING DOOR SIDE CABINET

Q-YS 303 900W x 450D x 700H

HEIGHT OF 1710MM



OPEN SHELF MEDIUM CABINET

Q-YO 17 800W x 400D x 1710H



SWINGING DOOR MEDIUM CABINET

Q-YD 17 800W x 400D x 1710H



SEMI SWINGING DOOR MEDIUM CABINET

Q-YOD 17 800W x 400D x 1710H

HIGH CABINET

HEIGHT OF 2110MM



OPEN SHELF HIGH CABINET

Q-YO 21 800W x 400D x 2110H



SWINGING DOOR HIGH CABINET

Q-YD 21 800W x 400D x 2110H



SEMI SWINGING DOOR HIGH CABINET

Q-YOD 21 800W x 400D x 2110H



SWINGING DOOR HIGH CABINET

Q-YTD 21 800W x 400D x 2110H



SWINGING GLASS DOOR HIGH CABINET

Q-YGD 21 800W x 400D x 2110H

SWINGING WOODEN AND GLASS DOOR



SWINGING WOODEN DOOR

YFD 9(Q)

788W x 796H x 16THK
(for Q-YD 9 only)



SWINGING WOODEN DOOR

YFD 13(Q)

788W x 1198H x 16THK
(for Q-YD 13 only)



SWINGING WOODEN DOOR

YFD 17(Q)

788W x 1598H x 16THK
(for Q-YD 17 only)



SWINGING GLASS DOOR WITH GLASS LOCK

YFG 9

754W x 774H x 5THK
(for Q-YG 9)



SWINGING WOODEN DOOR (LOWER)

YLD 9(Q)

788W x 796H x 16THK
(for Q-YOD 13, Q-YOD 17, Q-YOD 21, Q-YTD 21, Q-YGD 21)



SWINGING WOODEN DOOR (UPPER)

YUD 21(Q)

788W x 1200H x 16THK
(for Q-YTD 21 only)



SWINGING WOODEN DOOR

YFD 21(Q)

788W x 1998H x 16THK
(for Q-YD 21 only)



SWINGING GLASS DOOR WITH GLASS LOCK

YUG 21

754W x 1188H x 5THK
(for Q-YGD 21)

Storage Cabinet And Pedestal Specification (EX-Series)

LOW CABINET AND PEDESTAL WITHOUT TOP



OPEN SHELF LOW CABINET (W/O TOP)
YO 872 796W x 430D x 725H
YO 972 896W x 430D x 725H



SWINGING DOOR LOW CABINET (W/O TOP)
Q-YD 872 796W x 446D x 725H
Q-YD 972 896W x 446D x 725H



SLIDING DOOR LOW CABINET (W/O TOP)
Q-YS 872 796W x 430D x 725H
Q-YS 972 896W x 430D x 725H



FIXED PEDESTAL 2D1F (W/O TOP)
Q-YHP 3
 396W x 446D x 725H



FIXED PEDESTAL 4D (W/O TOP)
Q-YHP 4
 396W x 446D x 725H

LOW CABINET

LENGTH OF 800MM AND 900MM



OPEN SHELF LOW CABINET
Q-YO 875
 800W x 450D x 750H
Q-YO 975
 900W x 450D x 750H



SWINGING DOOR LOW CABINET
Q-YD 875
 800W x 450D x 750H
Q-YD 975
 900W x 450D x 750H



SLIDING DOOR LOW CABINET
Q-YS 875
 800W x 450D x 750H
Q-YS 975
 900W x 450D x 750H

COMBINATION OF LOW CABINET

LENGTH OF 1200MM



OPEN SHELF + FIXED PEDESTAL 2D1F
Q-YOP 7123
 1200W x 450D x 750H



SWINGING DOOR + FIXED PEDESTAL 2D1F
Q-YDP 7123
 1200W x 450D x 750H



SLIDING DOOR + FIXED PEDESTAL 2D1F
Q-YSP 7123
 1200W x 450D x 750H



OPEN SHELF + FIXED PEDESTAL 4D
Q-YOP 7124
 1200W x 450D x 750H



SWINGING DOOR + FIXED PEDESTAL 4D
Q-YDP 7124
 1200W x 450D x 750H



SLIDING DOOR + FIXED PEDESTAL 4D
Q-YSP 7124
 1200W x 450D x 750H

LENGTH OF 1600MM AND 1800MM



DUAL OPEN SHELF LOW CABINET
Q-YOO 7160
 1600W x 450D x 750H
Q-YOO 7180
 1800W x 450D x 750H



DUAL SWINGING DOOR LOW CABINET
Q-YDD 7160
 1600W x 450D x 750H
Q-YDD 7180
 1800W x 450D x 750H



DUAL SLIDING DOOR LOW CABINET
Q-YSS 7160
 1600W x 450D x 750H
Q-YSS 7180
 1800W x 450D x 750H



OPEN SHELF + SWINGING DOOR LOW CABINET
Q-YOD 7160
 1600W x 450D x 750H
Q-YOD 7180
 1800W x 450D x 750H



OPEN SHELF + SLIDING DOOR LOW CABINET
Q-YOS 7160
 1600W x 450D x 750H
Q-YOS 7180
 1800W x 450D x 750H

PART OF COMBINATION

CABINET SURFACE PANEL AND BASE



SINGLE

CABINET SURFACE PANEL
YST 800 800W x 450D x 25THK
YST 900 900W x 450D x 25THK
YST 1200 1200W x 450D x 25THK
YST 1600 1600W x 450D x 25THK
YST 1800 1800W x 450D x 25THK



DOUBLE

CABINET SURFACE PANEL
YDT 800 800W x 900D x 25THK
YDT 900 900W x 900D x 25THK
YDT 1200 1200W x 900D x 25THK
YDT 1600 1600W x 900D x 25THK
YDT 1800 1800W x 900D x 25THK



BASE

YB 400 380W x 350D x 95H
YB 800 780W x 350D x 95H
YB 900 880W x 350D x 95H



BASE

YB 1200 1180W x 350D x 95H



BASE

YB 1600 1580W x 350D x 95H



BASE

YB 1800 1780W x 350D x 95H

CABINET AND PEDESTAL WITHOUT TOP AND BASE



OPEN SHELF LOW CABINET (W/O TOP AND BASE)
YO 863
 796W x 430D x 630H
YO 963
 896W x 430D x 630H



SWINGING WOODEN DOOR
YFD 863(Q)
 790W x 628H x 16THK
YFD 963(Q)
 890W x 628H x 16THK



SLIDING DOOR LOW CABINET (W/O TOP AND BASE)
Q-YS 863
 796W x 430D x 630H
Q-YS 963
 896W x 430D x 630H



FIXED PEDESTAL 2D1F (W/O TOP AND BASE)
Q-YP 3
 396W x 446D x 630H



FIXED PEDESTAL 4D (W/O TOP AND BASE)
Q-YP 4
 396W x 446D x 630H

COLOUR OPTION



MAPLE



WALNUT



BORAS ASH



CARTIER HANDLE

The furniture colours in all the photographs featured in this catalog may vary from the actual products due to photography lighting and limitation of the print production process.

DIMENSION
 W x D x H mm

* SUBJECT TO CHANGE WITHOUT PRIOR NOTICE