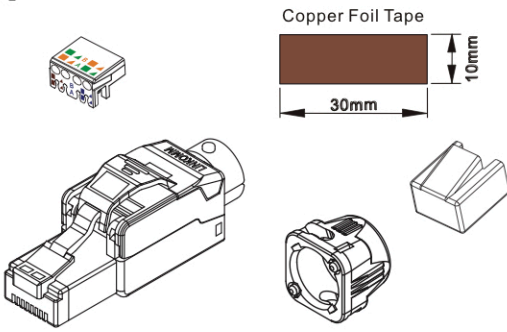


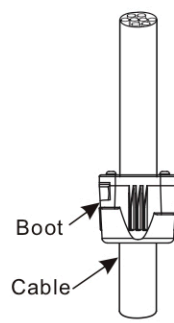
Field Termination Plug User Guide

FMPS016A88MT FMPS01C888MT

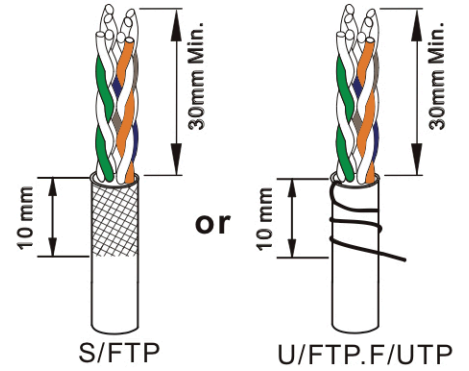
1.



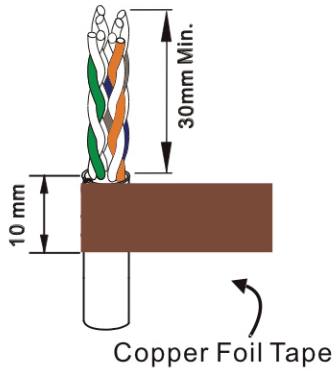
2.



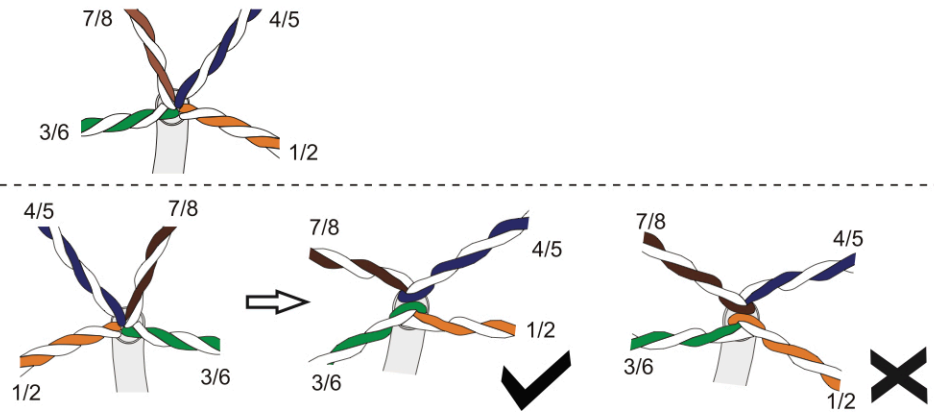
3.



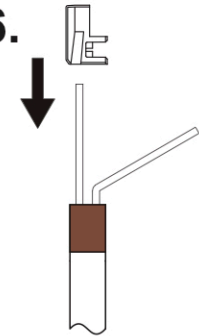
4.



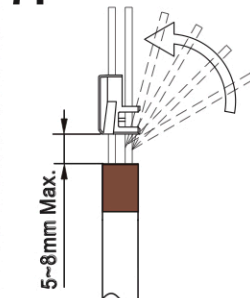
5.



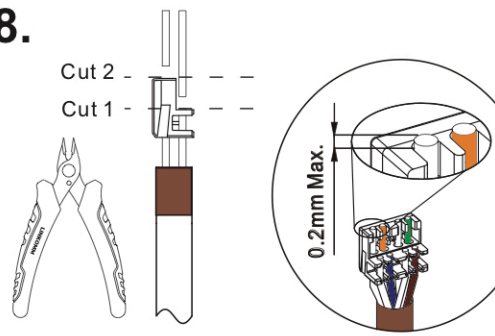
6.



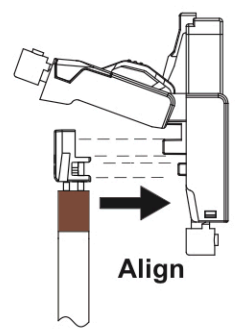
7.



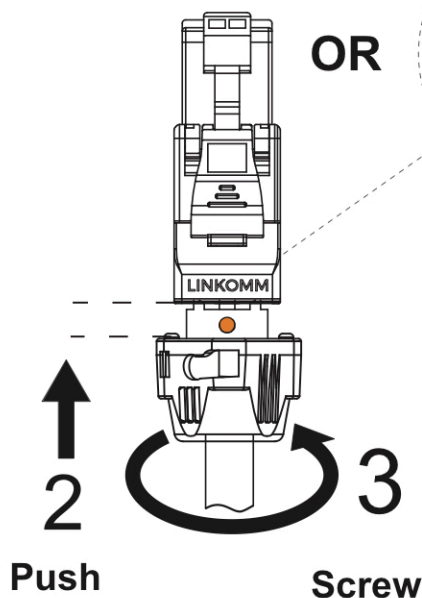
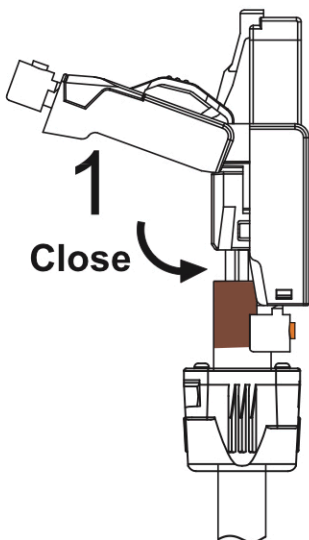
8.



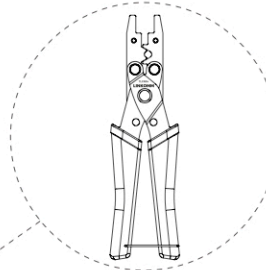
9.



10. Hand Screwing



OR



Optional
TLCR04 to crimp

