

# Alterseat

Your Trusted Office Furniture Manufacturer

## INSTRUCTION MANUAL for REVO-101

# TABLE OF CONTENTS

<b>INTRODUCTION .....</b>	<b>1</b>
<b>PARTS OF THE CHAIR.....</b>	<b>2</b>
<b>ATTACHING THE HEADREST .....</b>	<b>3</b>
<b>CONNECTING THE GAS LIFT .....</b>	<b>4</b>
<b>CONNECTING THE TOP PIECE WITH LEG .....</b>	<b>5</b>

## SAFETY INFORMATION

The chair should only be used as intended and in a non-abusive manners.

If the product is defective or suspect in any way, contact us immediately.

For warranty information, please visit **Warranty** section on our website.

03 5033 2690

<https://www.alterseat.com/>



Sit in the center of the chair, with your back to the backrest



Do not sit at the front edge of the chair



Do not stand on the chair



Do not push the chair around when the person is sitting



Do not push down on the backrest when a person is reclined



Do not place all your weight to the backrest



Do not use the chair with more than one person

# INTRODUCTION

Welcome to the Alterseat Team and thank you altering your ergonomic experience with us. This product is manufactured and designed solely by Alterseat (M) Sdn. Bhd.

We specialize in producing and manufacturing **office chairs** for **over 20 years** including other furniture.

Before proceeding into this manual, ensure that after unpacking and before any assembly, all items and parts of installation are clear of any damages. If there are any damages found, immediately contact our **customer service number 03-5033 2690** for assistance.

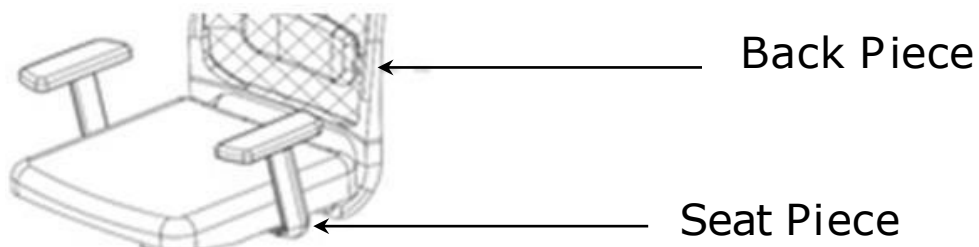
This product is intended for indoor use. Kindly take time to **read and follow the instructions provided** in the following pages. Install as described and guided in this installation manual. **We accept no liability for damages caused for any improper use.**

From,

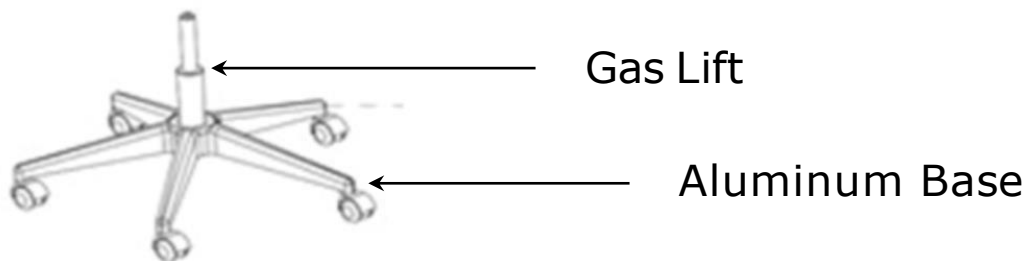
Team Alterseat

# PARTS OF THE CHAIR

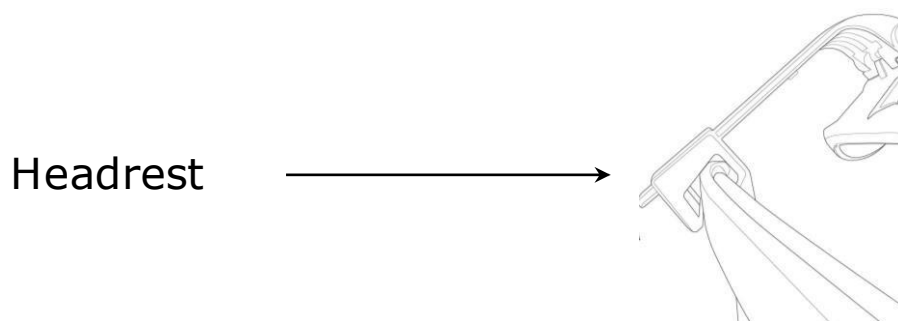
## TOP PIECE



## LEG

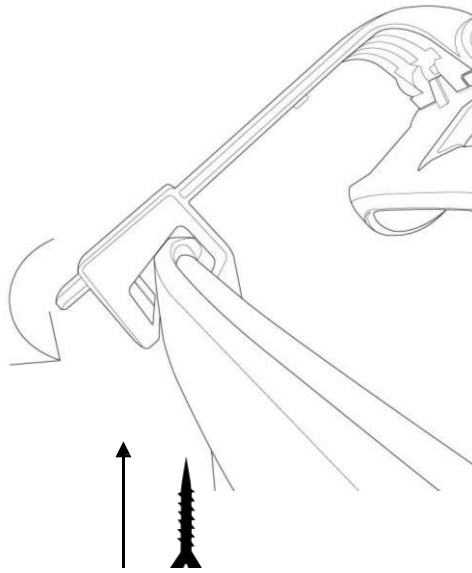


## HEAD PIECE



# ATTACHING THE HEADREST

## HEAD PIECE



**A**



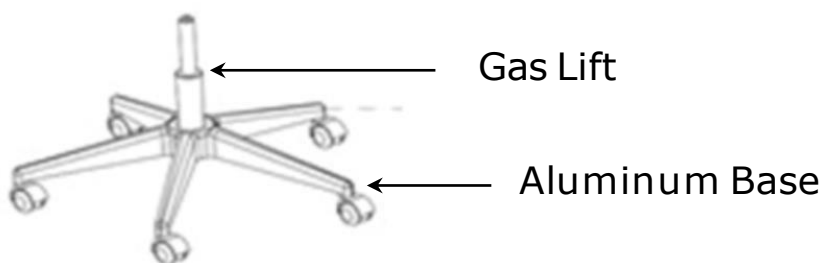
**B**

## INSTRUCTIONS

- A. Using the *Allen Key* provided, remove the 2 screws (loosely attached) to the headrest area of the top piece.
- B. Align the headrest according to the 2 *pilot holes* and tighten the screws with the same *Allen Key* provided.

# CONNECTING THE GAS LIFT

## GAS LIFT W ALUMINUM BASE



**F**

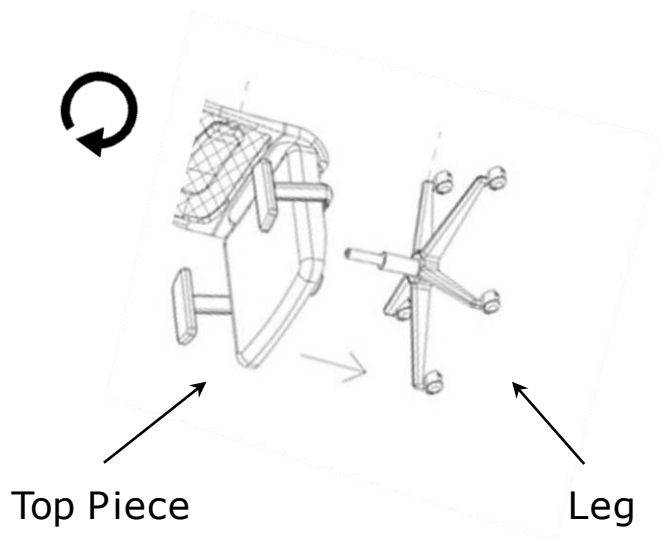
## INSTRUCTIONS

F. Insert the wider end of the *Gas Lift* into the *Aluminum Base*.

Note: *No 'click' sound will be heard.*

# CONNECTING THE TOP PIECE W LEG

## TOP PIECE W LEG PART



\*Perform this step by  
slanting at an angle \*

**G**

## INSTRUCTIONS

G. Slant the 'Top Piece' on one side. Then insert the 'Leg' from a side angle to connect both segments together.

# CONNECTING THE TOP PIECE W LEG

## TOP PIECE W LEG PART



**H**

## INSTRUCTIONS

H. Once both parts are successfully connected, lift your chair in an upwards and straight direction. You are now ready to sit with Alterseat!



# Alterseat

Your Trusted Office Furniture Manufacturer

**THANK YOU**