



NX202A

Features

- Microprocessor based numerical relay
- Current measurement based on fundamental frequency
- Low-set inverse definite minimum time (IDMT) normal inverse relay
- High-set instantaneous relay
- Separate low-set and high-set trip indicators
- Option to disable the high-set element
- Front panel access to the test function
- Complies with IEC 60255 standard
- ANSI Code : 50N, 51N

Technical Data

RATINGS

| | |
|-------------------------|------------------------|
| Rated current (I_n) | : 5 A |
| Rated frequency | : 50 Hz |
| Burden | : < 0.3 VA at I_n |
| Thermal withstand | : 4 x I_n continuous |

AUXILIARY SUPPLY

| | |
|-------------------|------------------|
| Model NX202A-240A | : 198 ~ 265 V AC |
| Model NX202A-110A | : 94 ~ 127 V AC |
| Supply frequency | : 50 Hz |
| VA rating | : 3 VA typical |

SETTING RANGES

| | |
|------------------------------|------------------------------|
| Low-set (I >) | : 0.1 A to 2.0 A |
| | : 2% to 40% |
| Time multiplier (TM) | : 0.05 to 1.0 |
| High-set (I >>) | : I > to 10 x I > or disable |
| High-set delay time (t >>) | : Instantaneous |

ACCURACY

| | |
|-----------------------|-------------------------------------|
| Protection thresholds | : $\pm 5\%$ |
| Time delay | : $\pm 5\%$ with a minimum of 50 ms |

OUTPUT CONTACTS

| | |
|--------------------------|---------------------------------------|
| Trip contact (R1) | : Manual reset type |
| Rated voltage | : 250V AC |
| Contact rating | : 5 A |
| Expected electrical life | : 100,000 operations at rated current |
| Expected mechanical life | : 5 x 10 ⁶ operations |

TIME CURRENT CHARACTERISTIC CURVE

- IDMT normal inverse

INDICATORS

| | |
|------------------|-------------------|
| Auxiliary supply | : Green indicator |
| Pick-up | : Red indicator |
| Trip | : Red indicator |

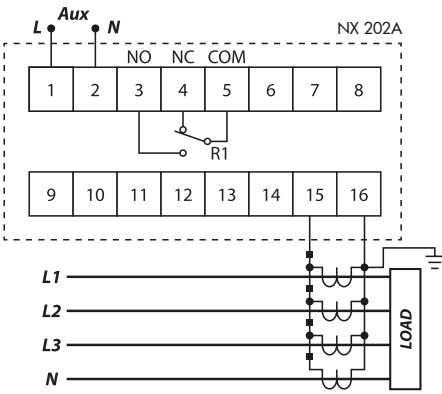
ENVIRONMENTAL CONDITIONS

| | |
|-------------|---|
| Temperature | : -5°C to +55°C |
| Humidity | : 56 days at 93% RH and 40°C non-condensing |

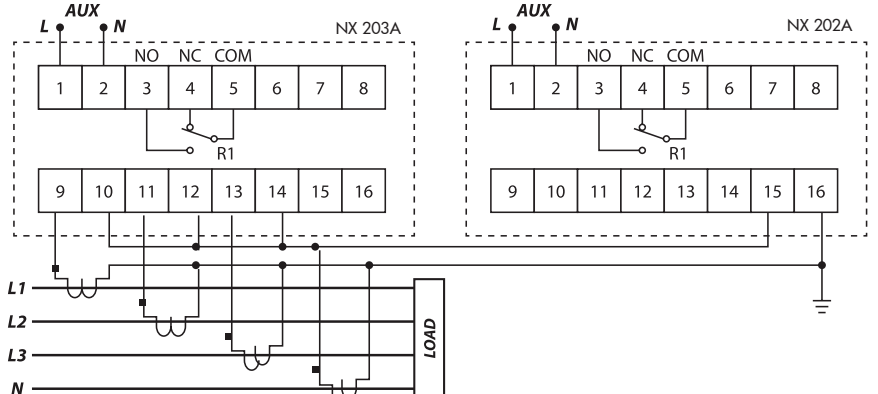
MECHANICAL

| | |
|----------------------|-------------------------|
| Mounting | : Panel mounting |
| Dimension (mm) | : 96(w) x 96(h) x 90(d) |
| Approximate weight | : 0.6 kg |
| Enclosure protection | : IP40 at the panel |

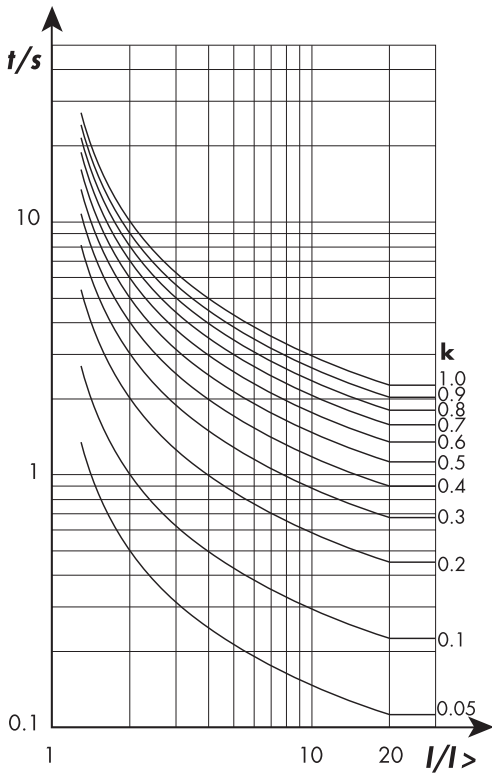
Typical Application Diagram



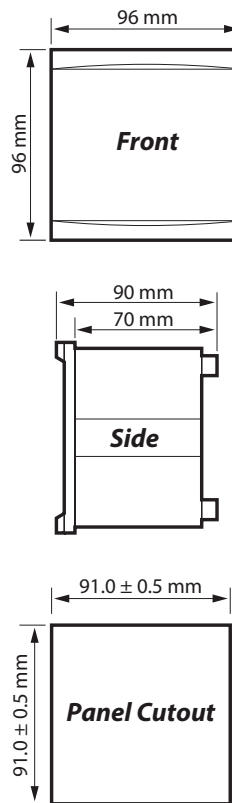
Combined IDMT Overcurrent & Earth Fault Relays



Normal Inverse



Case Dimensions



Ordering Information

| MODEL | DESCRIPTION |
|---------------|--|
| NX202A - 240A | For 50 Hz system, auxiliary voltage 198 ~ 265 V AC |
| NX202A - 110A | For 50 Hz system, auxiliary voltage 94 ~ 127 V AC |