

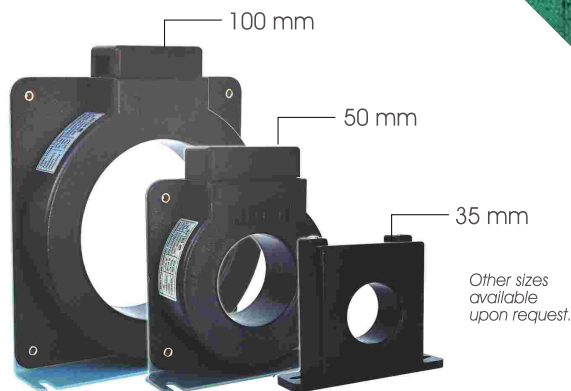
NUMERICAL BASED TM 18c

EARTH LEAKAGE RELAY
DIN RAIL TYPE



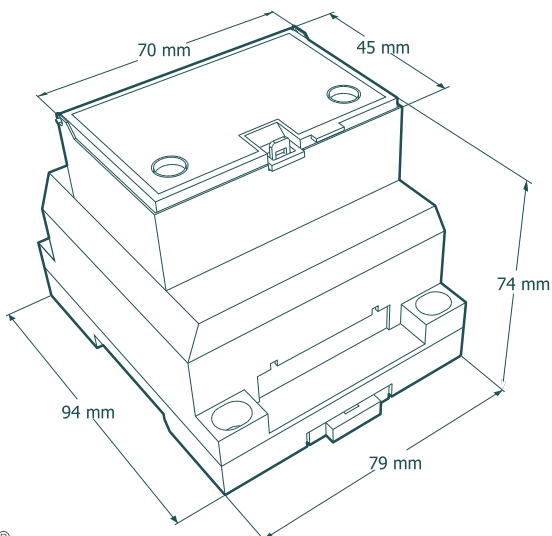
FEATURES

- True RMS measurement
- Low set
- High set
- Operation hour recording
- Fault & Trip LED indication
- Trip value recording (3 memory)
- Auto Z.C.T. connection check (open/short)
- Total trip count information
- *Self-reclosing / auto-reset
- Programmable relay output
- Programmable software lock
- Din-rail or screw mount



Z.C.T. ZERO PHASE CURRENT TRANSFORMER

A ring type Zero Phase Current Transformer is used to detect and provide the continuous measurement of the leakage current.



* Self-reclosing or auto-reset model available upon request.

TECHNICAL DATA

Measurement	True RMS Ampere
Power supply	240 VAC
Rated frequency	50 / 60 Hz
Output relay / Alarm	5A / 250 VAC
Tripping contact	SPDT 5A / 240 VAC
Weight	320 g
Operating temp.	0° C ~ +55° C
Standard	IEC : 61000-4-2/4-4/4-5/255-5:1

SETTING RANGE

Current Setting	0.03 ~ 30.0 Ampere
Trip Time setting	0.05 ~ 10.0 (0.1 sec step)
High-set	OFF or 5~50 Ampere (5 Amp step)
High-set trip time	Fixed at 30 ms

WIRING DIAGRAM

