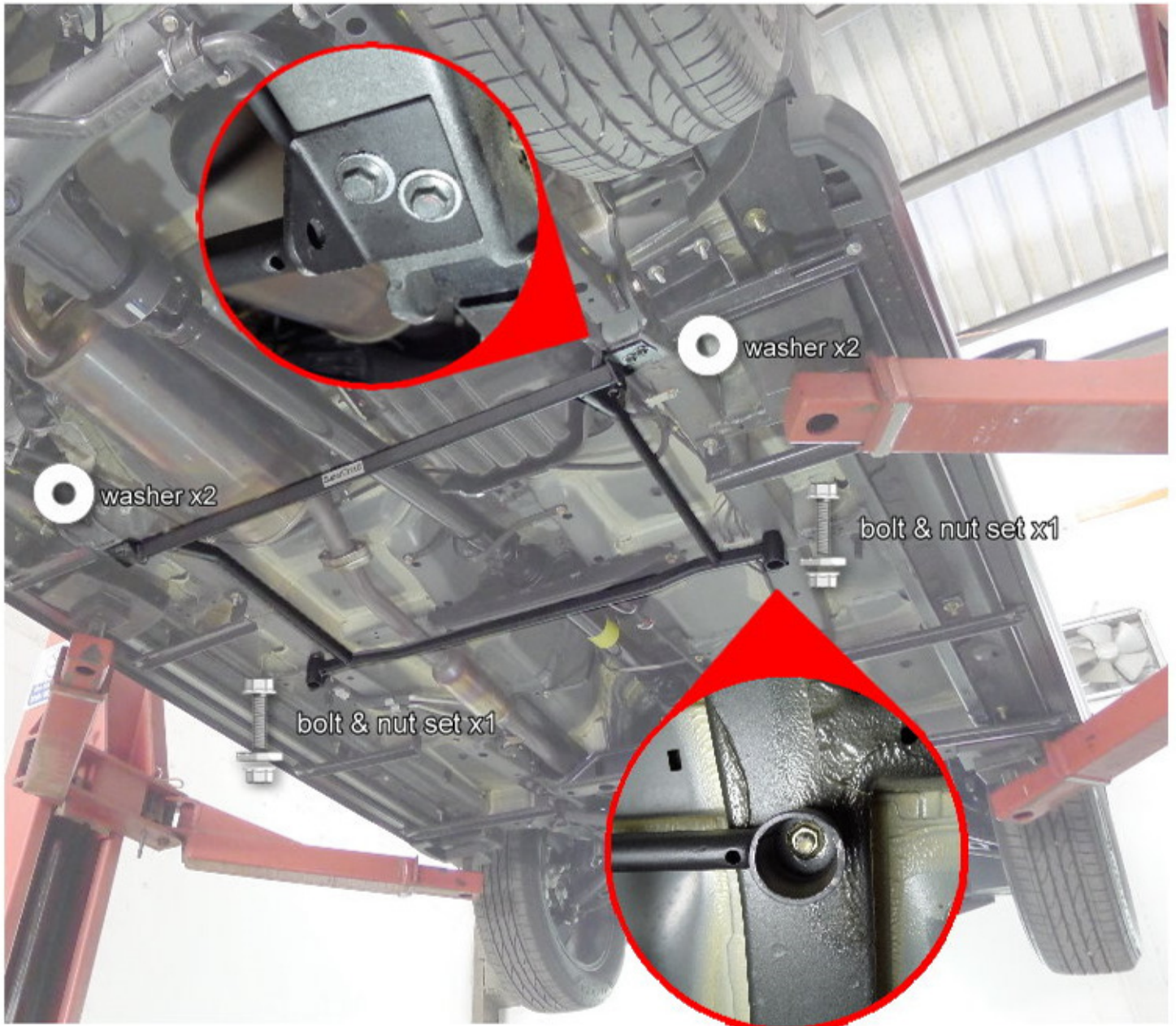


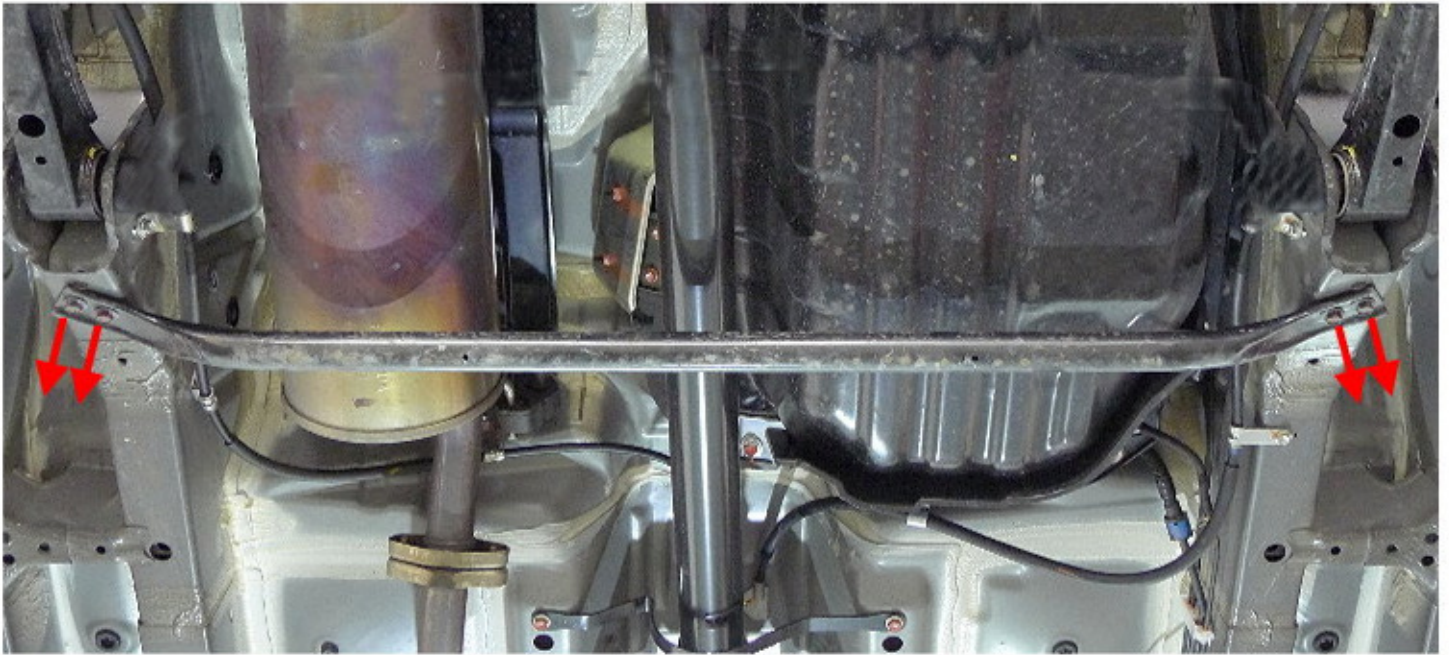
SuperCircuit



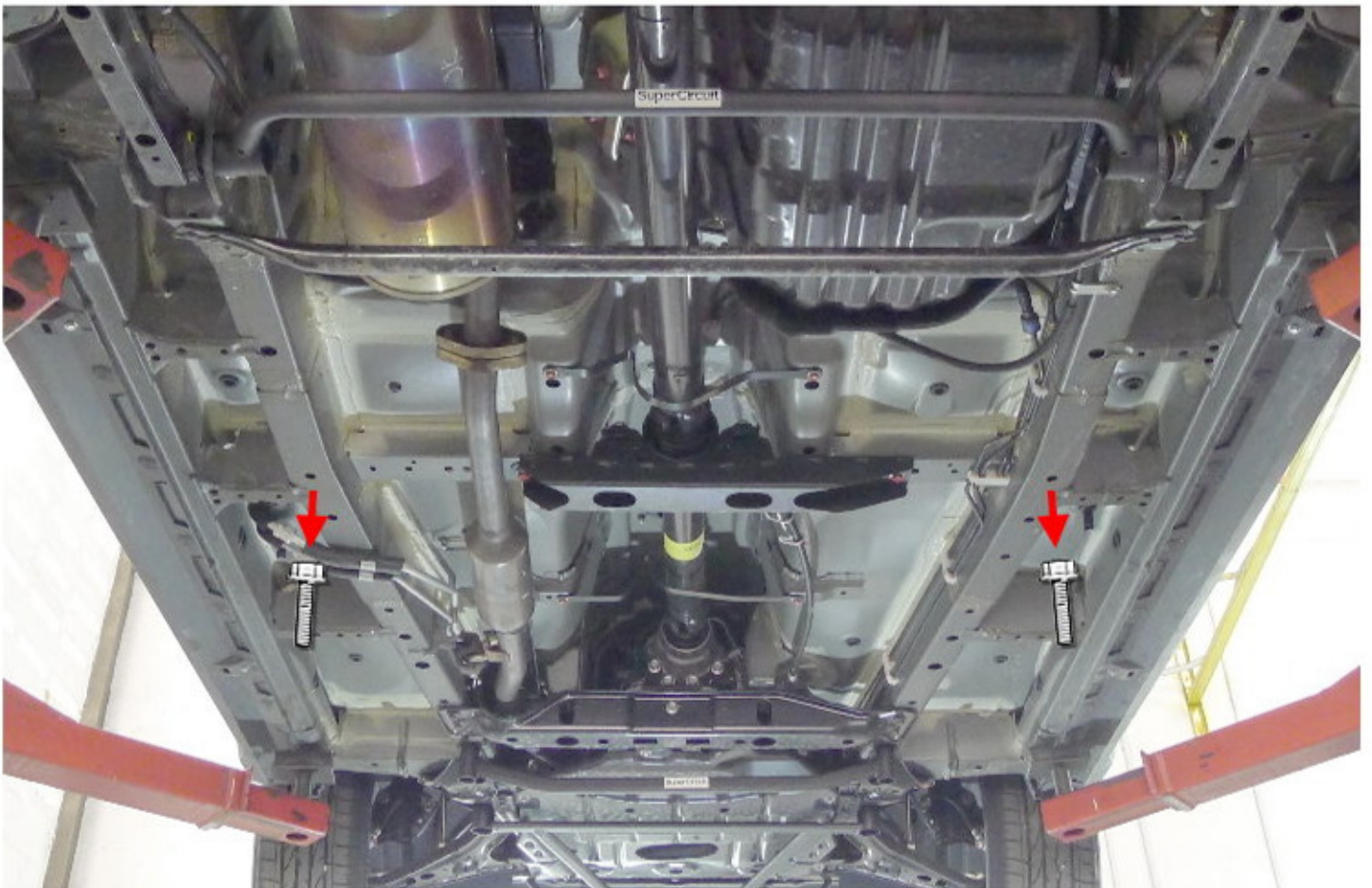
Thank you for the purchase. Please refer to the installation steps below as a guide for the installation of the SUPERCIRCUIT Mid Chassis Brace to the Perodua Aruz.



STEP 1: Remove the original rear lower cross bar and keep the original bolts for further use.

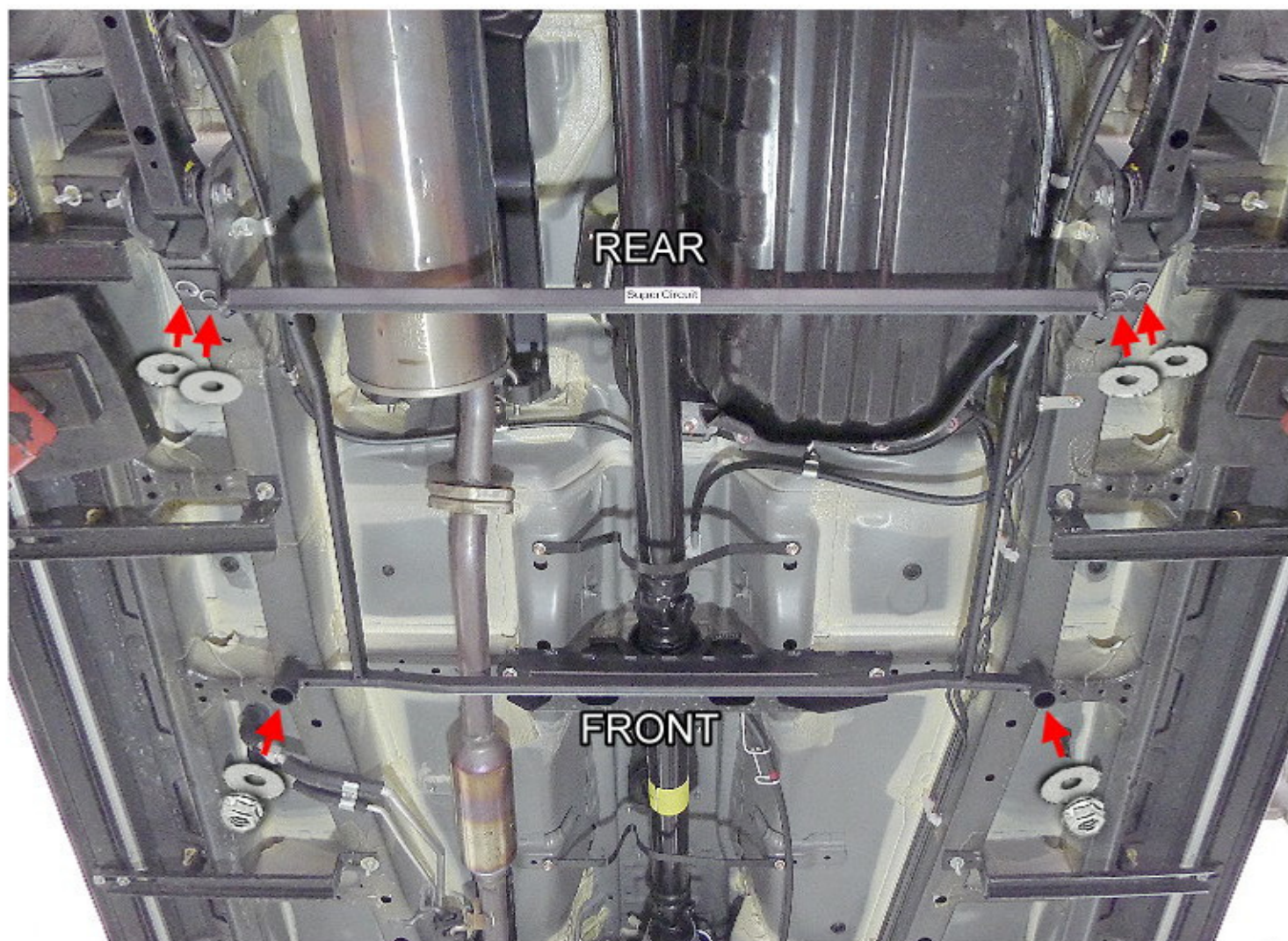


STEP 2: Insert the provided bolts via the bigger openings on the chassis and allow the thread section of the bolts pointing downwards.



STEP 3: Fasten the washers and nuts provided to the bolts pre-inserted in STEP 2 to the front section of the SUPERCIRCUIT Mid Chassis Brace.

Utilize the original bolts from STEP 1 with the washers provided for the rear section as shown in the picture below.



Should you need any further assistance during the installation, please contact SUPERCIRCUIT BARS, Tel: +6 03 5632 2855 or send us a message on Facebook:

<https://www.facebook.com/SuperCircuitBars>