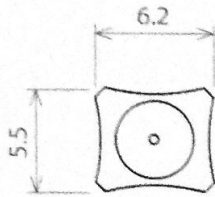
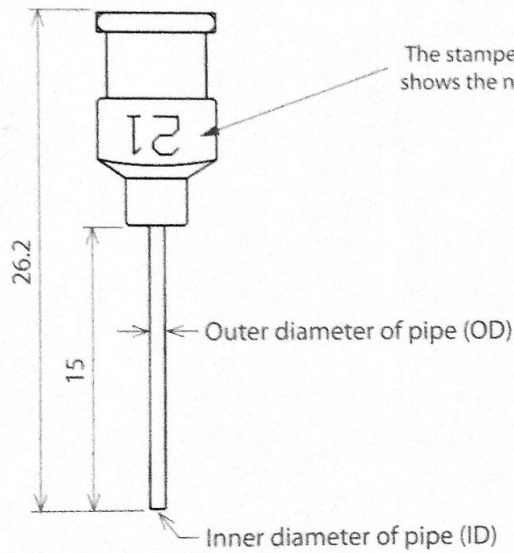
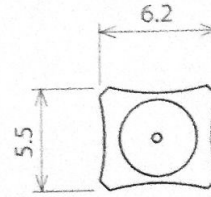


■ Dimensional drawings

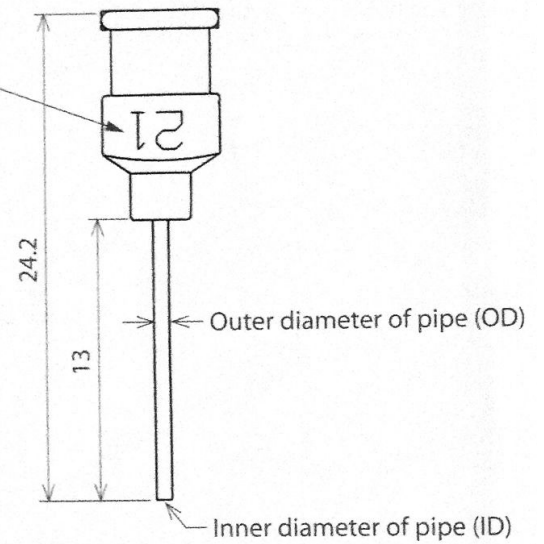
UNS needle (Needle length 15mm)



UNS needle (Needle length 13mm)



The stamped number shows the needle size.



■ Specifications

Model	Inner diameter (ID)	Outer diameter (OD)	Inner diameter tolerance	Quantity
UNS-13	1.94	2.40	±0.030	12pcs/pack
UNS-14	1.64	2.10	±0.030	12pcs/pack
UNS-15	1.43	1.83	±0.030	12pcs/pack
UNS-16	1.25	1.65	±0.030	12pcs/pack
UNS-17	1.11	1.49	±0.030	12pcs/pack
UNS-18	0.92	1.28	±0.030	12pcs/pack
UNS-19	0.72	1.08	±0.025	12pcs/pack
UNS-20	0.61	0.91	±0.025	12pcs/pack
UNS-21	0.52	0.82	±0.025	12pcs/pack
UNS-22	0.42	0.72	±0.025	12pcs/pack
UNS-23	0.34	0.64	±0.020	12pcs/pack
UNS-24	0.31	0.57	±0.020	12pcs/pack
UNS-25	0.26	0.52	±0.020	12pcs/pack
UNS-26	0.25	0.46	±0.020	12pcs/pack
UNS-27	0.21	0.42	±0.020	12pcs/pack

Material/Needle hub : Brass (Chrome plated) Needle : SUS304