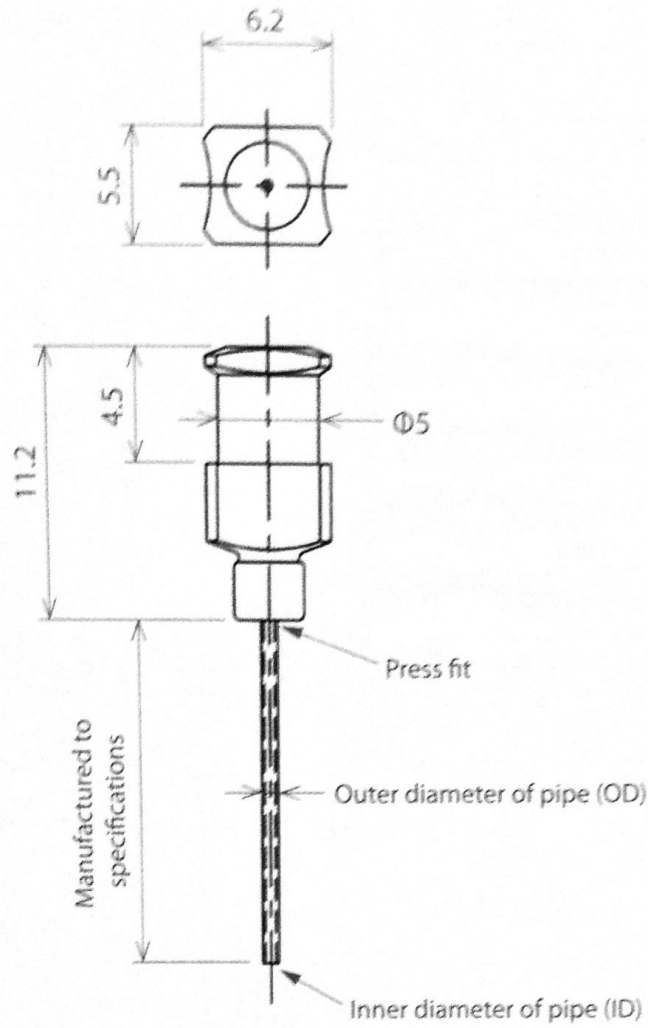


■ Dimensional drawings

Drawing of needle hub



■ Table of needle sizes

Gauge	Inner diameter	Outer diameter
12G	2.27	2.77
13G	1.94	2.40
14G	1.64	2.10
15G	1.43	1.83
16G	1.25	1.65
17G	1.11	1.49
18G	0.92	1.28
19G	0.72	1.08
20G	0.61	0.91
21G	0.52	0.82
22G	0.42	0.72
23G	0.34	0.64
24G	0.31	0.57
25G	0.26	0.52
26G	0.25	0.46
27G	0.21	0.42
28G	0.17	0.36
30G	0.14	0.32