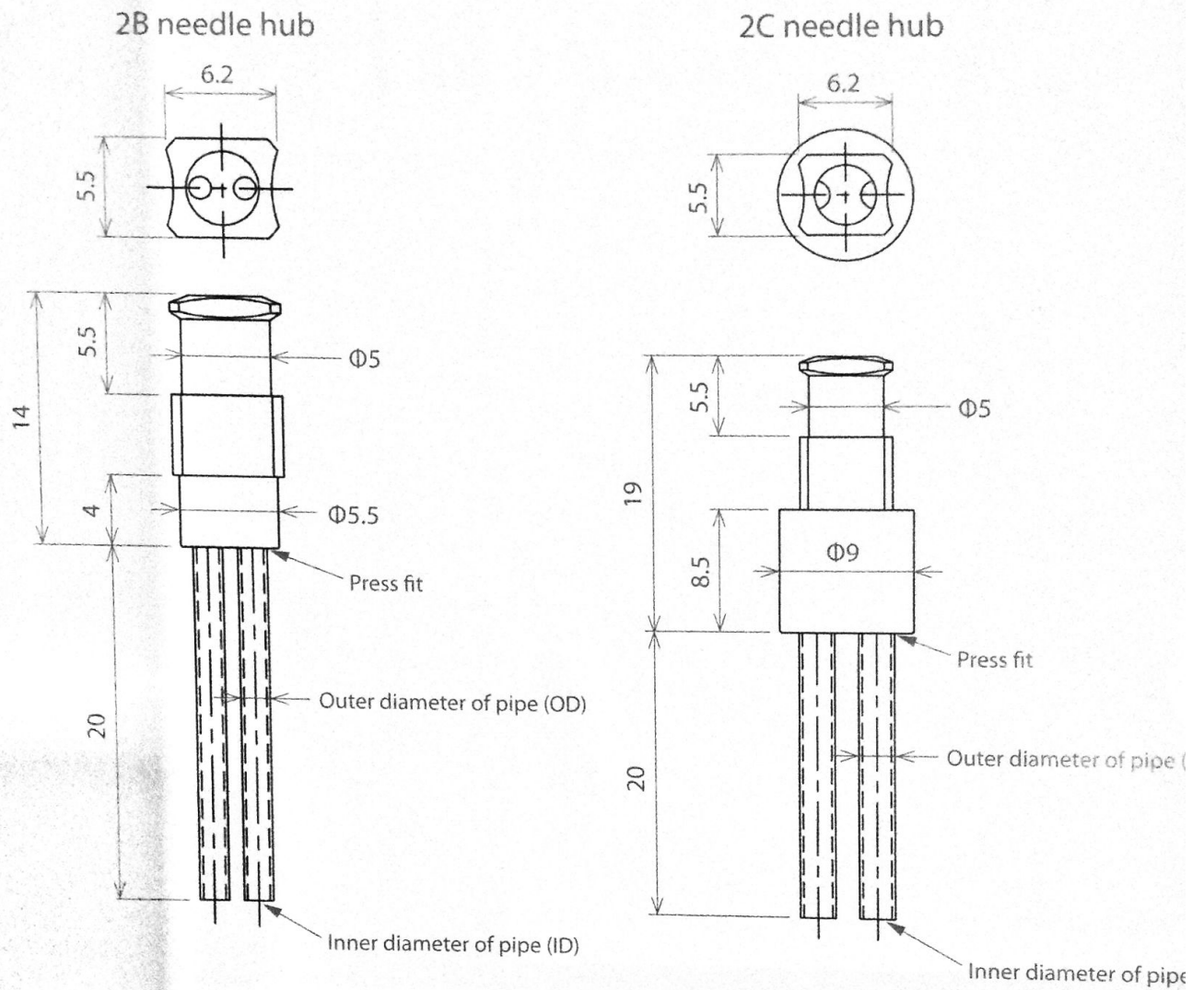


## ■ Dimensional drawings



## ■ Specifications

Model	Inner diameter (ID)	Outer diameter (OD)	Total length	Needle hub	Quantity	
UN2-13	2.05	2.50	20mm	2C	1 pc	
UN2-14	1.54	2.00	20mm		1 pc	
UN2-15	1.43	1.80	20mm		1 pc	
UN2-16	1.23	1.60	20mm		2B	1 pc
UN2-17	1.03	1.50	20mm			1 pc
UN2-18	0.82	1.20	20mm			1 pc
UN2-19	0.67	1.00	20mm			1 pc
UN2-20	0.61	0.91	20mm	1 pc		
UN2-21	0.51	0.81	20mm	1 pc		
UN2-22	0.41	0.71	20mm	1 pc		
UN2-23	0.36	0.61	20mm	1 pc		
UN2-24	0.32	0.56	20mm	1 pc		
UN2-25	0.27	0.51	20mm	1 pc		
UN2-26	0.23	0.45	20mm	1 pc		
UN2-27	0.20	0.41	20mm	1 pc		

Material : Needle hub : Brass (Chrome plated) Needle : SUS304