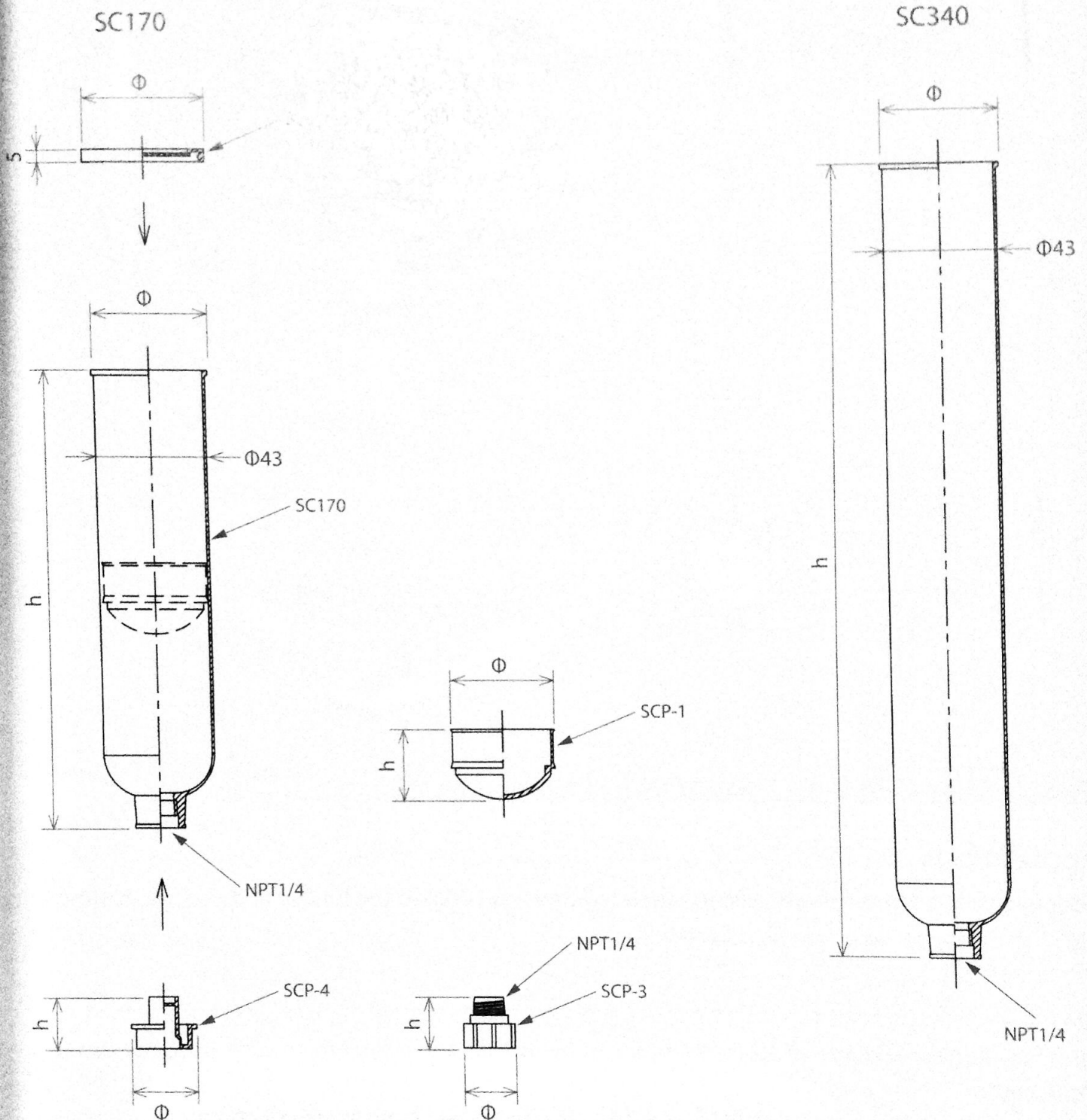


Dimensional drawings



Model	Applicable barrel	Φ	h
SC170	170cc cartridge	45	181
SC340	340cc cartridge	45	310
SCP-1	Plunger	41	28
SCP-2	Cap	47.5	5
SCP-3	Screw-type plug	25	20
SCP-4	Push-type plug	20	20