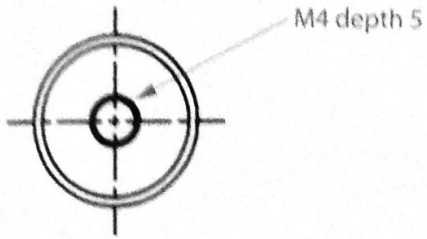
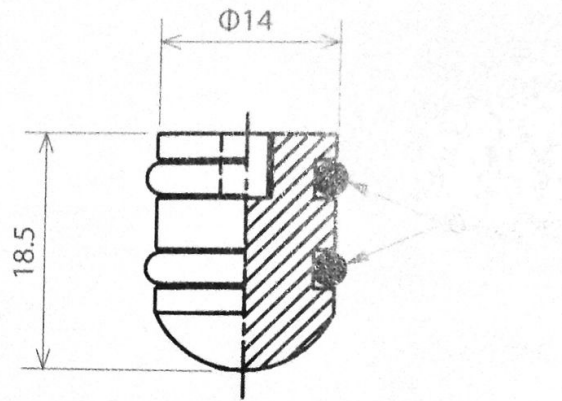
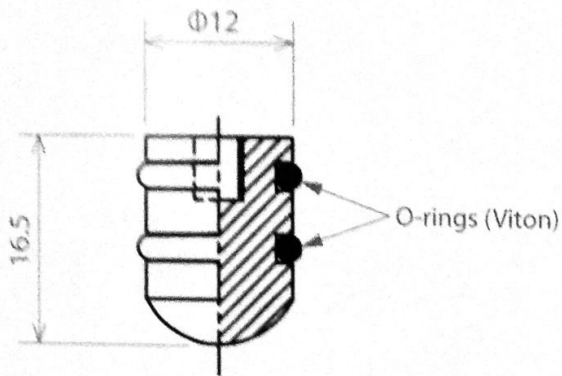
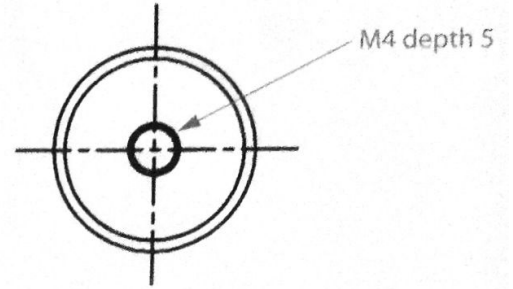


■ Dimensional drawings

BTA05



BTA10



BTA30

