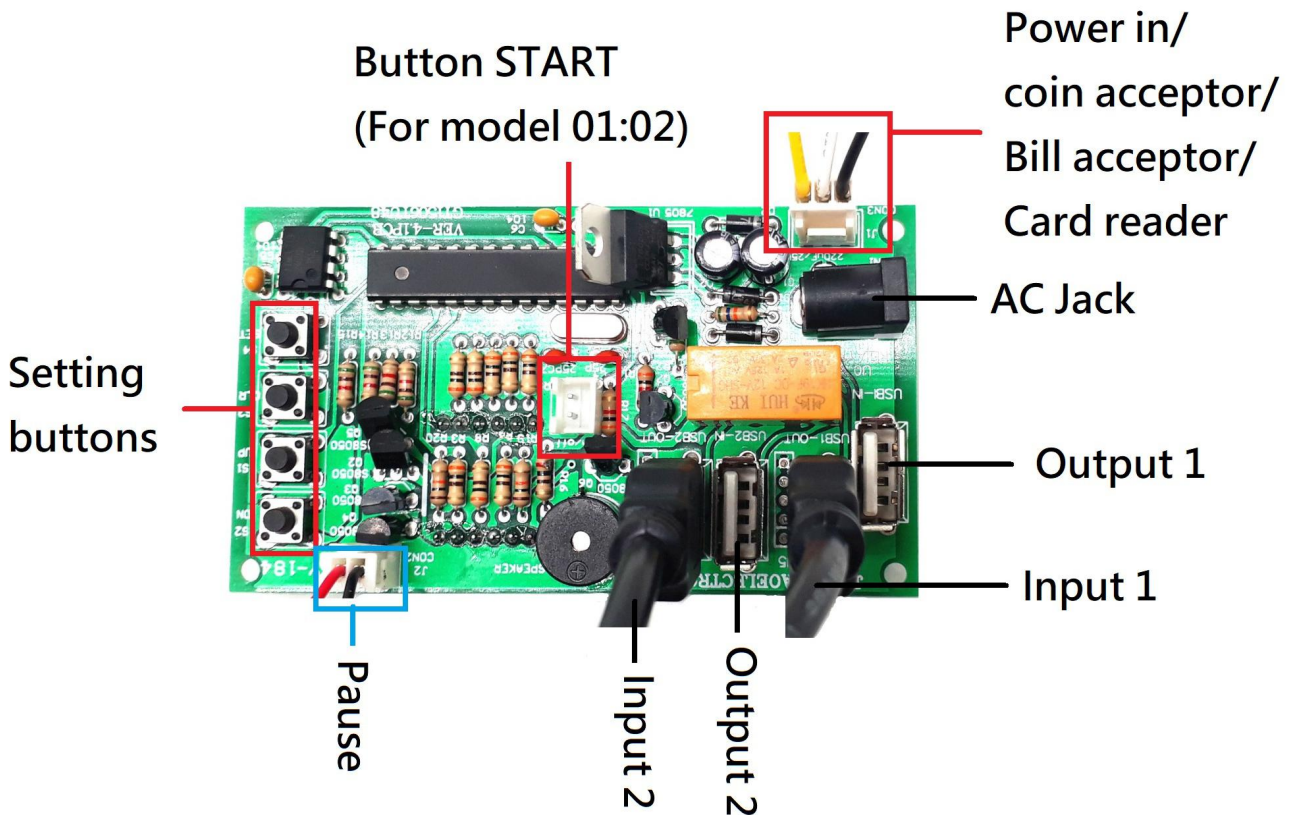


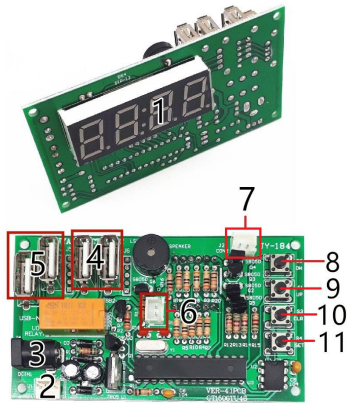
JY-18A Timer Board

Input Voltage	DC+12V
Standby	Display shows:00:00, rely: Normal Open (NO)
Accumulated time	Yes, add time if receive signals again when time is running
Device input	2 set USB connector
Output	2 set USB connector
How it works	
Mode 1	Time runs down after receive signals-> Display shows remaining time and supply power to device-> it cuts off power after time runs out
Mode 2 (Connect a button)	Display shows remaining time after receive signals-> push button start-> time runs down and supply power to device-> it cuts off power after time runs out
Pause (connect a button)	Push button pause: it cuts off power when pause, display shows remaining time. Re-supply power after push button pause again
Price/time setting	Please reference to page 2
Operating Mode	Please reference to page 3

Connection and Position

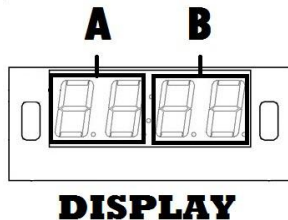


JY-18A Timer Board



- 1: Display
- 2: **YELLOW:** DC12V, **WHITE:** input signal, **BLACK:** GND
- 3: AC jack-5.5mm*2.1mm
- 4: 1 set for USB input and output-control your USB device
- 5: 1 set for USB input and output-control your USB device
- 6: START for operated mode 01:02
- 7: Pause
- 8-11: Button S2, S1, S3, and S4

Setting



Max Time:99:59

Display: 99:59

A: 2 digit: either HOUR or MINUTE

B: 2 digits: either MINUTE or SECOND

Please following page 3 to adjust Time type.

Please follow CODE ON DISPLAY and use button "S1" and "S2" to set up number

● INPUT SIGNAL QUANTITY AND TIME

1. Please press button "S4". "B" flashes. Please set up INPUT SIGNAL QUANTITY to active device (01-50).
2. Please press button "S4", "A" flashes. Please set up TIME (01-99).
3. Please press button "S4", "B" flashes. Please set up TIME (01-99).
4. Please press button "S4" 4 TIMES.
5. Please set up TIME for Warning Sound.
6. Please press button "S4" to finish.

● GIVEN TIME: Add time by free if input signals reach SETTING RATE during time is running.

Example Setting: input signal to active device: 01, input signals for given time: 03 give time: 02:10

Add time "02:10" free if receive "3 signals" during time is running.

1. Please press button "S4" 4 TIMES. "B" flashes. Please set up RATE OF INPUT SIGNAL QUANTITY.
2. Please press button "S4", "A" flashes. Please set up GIVEN TIME.
3. Please press button "S4", "B" flashes. Please set up GIVEN TIME.
4. Please press button "S4" to finish.

JY-18A Timer Board

● Mode Setting

Please follow table to set up operating function:

1. Please hold on button "S1" and "S2" simultaneously for 3 seconds to get into **MODE SETTING**.
2. Please use button "S1" and button "S2" to set up number for **CODE**
3. Please press button "S4" to switch to next code

Function	Code on Display		Description
	A	B	
Running Time	01	01	Time runs down without pressing button
		02	Time runs down by pressing button
Time Type	02	03	MINUTE: SECOND
		04	HOUR: MINUTE
Memory	03	05	Yes: Remaining time keep running after power off and on
		06	No: Standby power off and on
Back to standby	04	1-30	user has no action after push buttons or receive signals in setting time

Default: 01-03: Bold and base line. 04: not use the function.

Size and Connection Example

