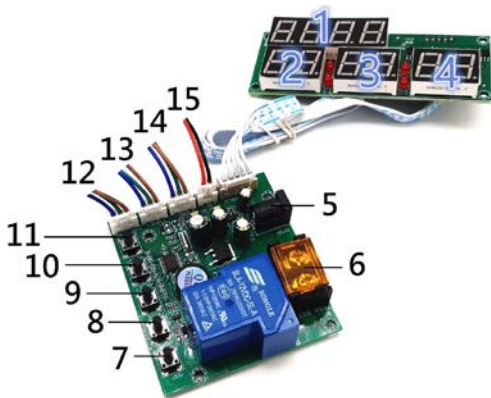


JY-30 Timer Board Description

Input Voltage	DC+12V
Standby	Display shows:00:00, rely: Normal Open (NO)
Accumulated time	Yes, add time if receive signals again when time is running
Max current load	15A
Inbuilt Reset Counter	9 digits
How it works	
Mode 1	Time runs down after receive signals-> Display shows remaining time and supply power to device-> it cuts off power after time runs out
Mode 2 (Connect a button)	Display shows remaining time after receive signals-> push button start-> time runs down and supply power to device-> it cuts off power after time runs out
Pause (connect a button)	Push button pause: it cuts off power when pause, display shows remaining time. Re-supply power after push button pause again
Connection Example	Please reference to page 3

Connection and Position



- | | |
|---------------------------------|-------------------------|
| 1: Display shows Balance | 12: Signal input |
| 2: Display shows HOUR | 13: Button PAUSE |
| 3: Display shows MINUTE | 14: Button START |
| 4: Display shows SECOND | for mode 7-01 |
| 5: DC jack-5.5mm*2.1mm | 15: Output DC+5V |
| 6: Switch control device | |
| 7: Button ADD | |
| 8: Button MINUS | |
| 9: Button MODE | |
| 10: Button Standby | |
| 11: Button COUNTER | |

Detail Description:

6: **Control power wire:** control “L” or “N” of device power wire

12: **Brown:** DC+12V, **Green:** input signal, **Blue:** GND

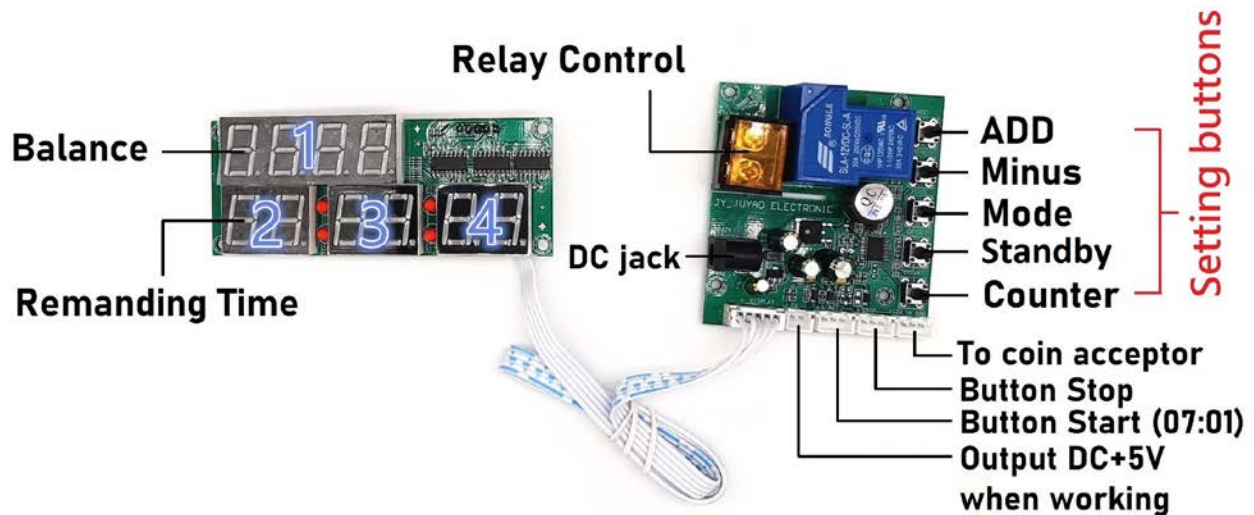
(Input pulse, Normal Open)

13/14: **Brown:** DC+5V for light, **Green:** Button NO, **Blue:** GND for light

(These buttons always stay light after power on.)

15: Output DC+5V when using: **Red:** DC+5V, **Black:** GND

JY-30 Timer Board



- Check total income:

Press Button Counter → Display shows number → Press again → Standby

Display shows Digit 123456789 like this:

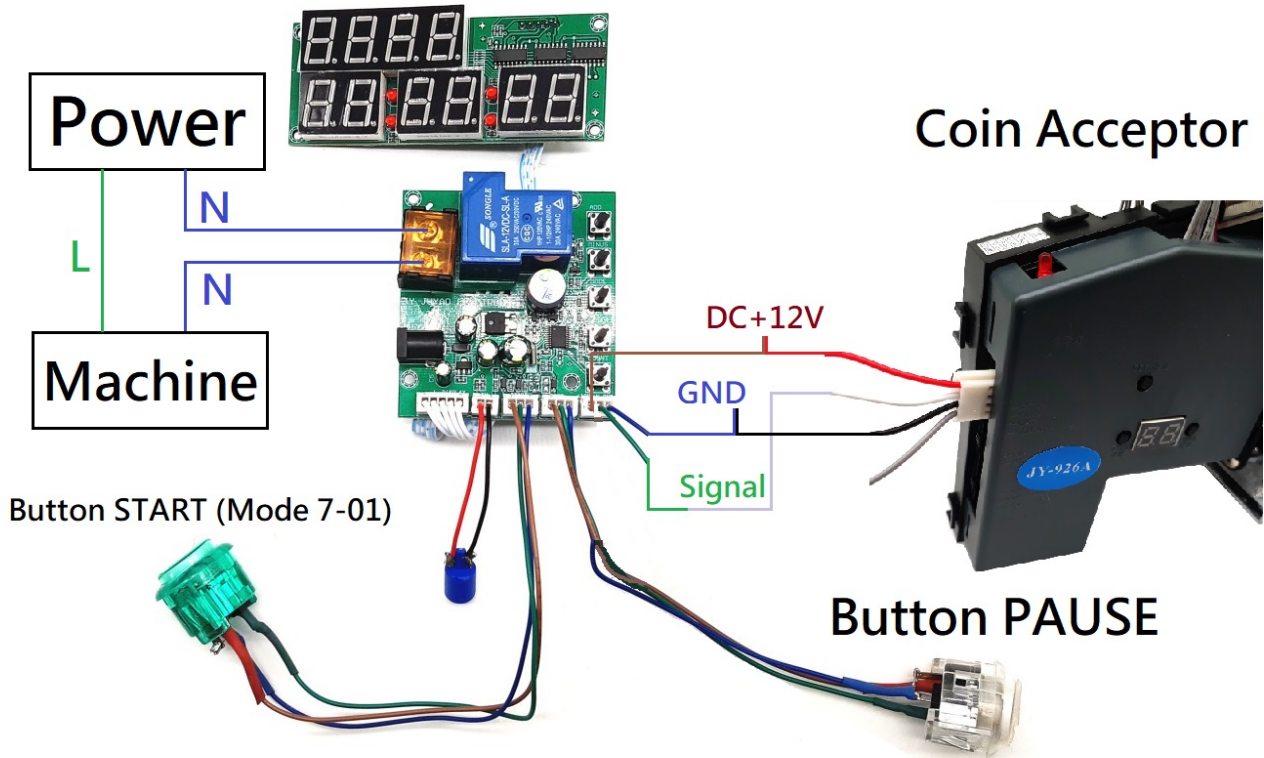
	1	2	3						
4	5	:	6	7	:	8	9		

- Press button **Mode** to get into setting mode or change to next option
 Press button Add or Minus to adjust value.
 Press button Reset to back to standby
 Please follow following table to set up

Function	Display 1			Display 2	Display 3	Display 4
Set up Hour	1	-	-	-	Flash (set up)	
Set up Minute	2	-	-	-	Flash (set up)	
Set up Second	3	-	-	-		Flash (set up)
Set up Warning Sound (Minute)	4	-	-	-	Flash (set up)	
Set up Warning Sound (Second)	5	-	-	-		Flash (set up)
Set up Coin Quantity	6	0	0	1	Cost 1 coin	
Set up Mode	7	-	0	0	Runs time after pay	
		-	0	1	Runs time after push button start	
Set up Memory	8	-	0	0	Without memory	
		-	0	1	With memory	

JY-30 Timer Board

Connection Example



Size

