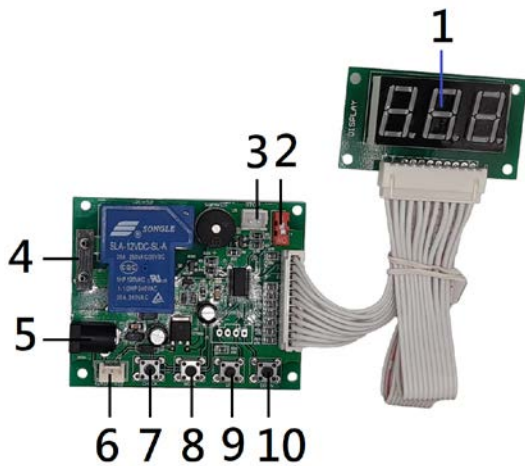


# JY-172 Manual

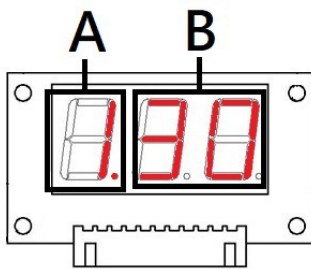
- Input voltage: DC+12V
- Inbuilt 5 digits non reset counter
- Max current load: 10A
- **Time Type:** HOUR:MINUTE or MINUTE:SECOND
- **Maximum Time:** 9 : 59
- Memory: yes
- Set up **TIME** and **VALUE** freely
- **Warning sound for last 30 seconds.**

## Connection



- |                             |                 |
|-----------------------------|-----------------|
| 1: Display                  | 7: Button Check |
| 2: Dip switch for TIME TYPE | 8: Button Mode  |
| 3: Button PAUSE             | 9: Button UP    |
| 4: Relay switch for device  | 10: Button DOWN |
| 5: DC Jack: DC+12V          |                 |
| 6: Input Signal:            |                 |
| Yellow:DC12V,               |                 |
| White:Signal wire,          |                 |
| Black: GND                  |                 |

## Setting



Display(1)



Dip Switch (2)

### Time Type:

**ON: MINUTE:SECOND**

1.30 : 1 minute : 30 seconds

**1: HOUR:MINUTE**

1.30 : 1 hour : 30 minute

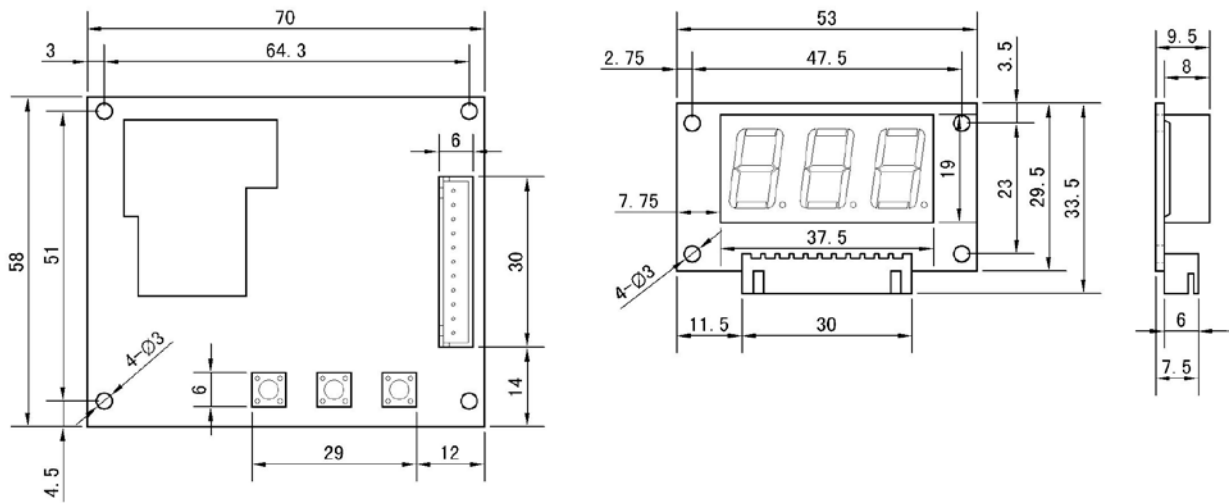
1. MOVE Dip Switch (2) for **TIME TYPE**. The default is **MINUTE:SECOND**.
2. Hold on button MODE for 2 seconds→Press button UP or DOWN to set up **COIN QUANTITY**.
3. Press button MODE → Press button UP or DOWN to set up **LEFT DIGIT (A-1 digit)** .
4. Press button MODE → Press button UP or DOWN to set up **RIGHT DIGIT (A-2 digits)**.
5. Press button MODE → Finish

Check total income: Press button Check → shows last 3 digits → Press button Check again → shows first 2 digits.

Note: Inbuilt counter is non reset.

# JY-172 Manual

## Size



## Connection Example

