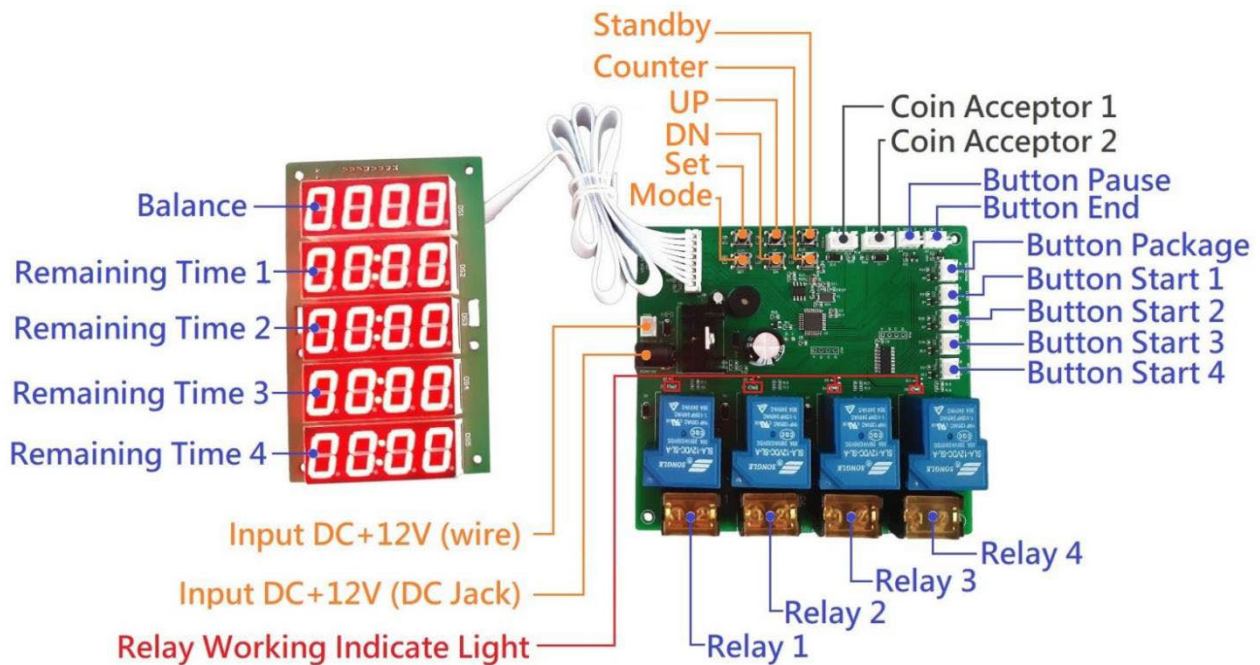


# JY-215 4 Channel Timer Board

## Features

- ⊙ Input Voltage: DC+12V
- ⊙ Pulse Input: Coin acceptor, Bill acceptor, and other pulse input.
- ⊙ Individual price and time and display for every channel
- ⊙ Accumulate Time: Push button start → Add time
- ⊙ **Operation Way:**  
Pay→deposit to balance→Push button START→Charge→Relay start working until time is end
- ⊙ Inbuilt 8 digits counter: Record total income per channel
- ⊙ **Simple connection:** please check page 2
- ⊙ **Value Setting:** Please check page 3
- ⊙ **Multi operation way:** Please check page 4
- ⊙ Interface Description:



**Button Pause:** Running time→Push button→Stop running→Push again→Continue running

**Button End:** Running time→Push button→End running time, but keep balance for use

**Button Package:**

Standby with enough balance→Push button PACKAGE→Push button START

Charge package fee and running package time. Switch to other relay free in time.

**Button Start:**

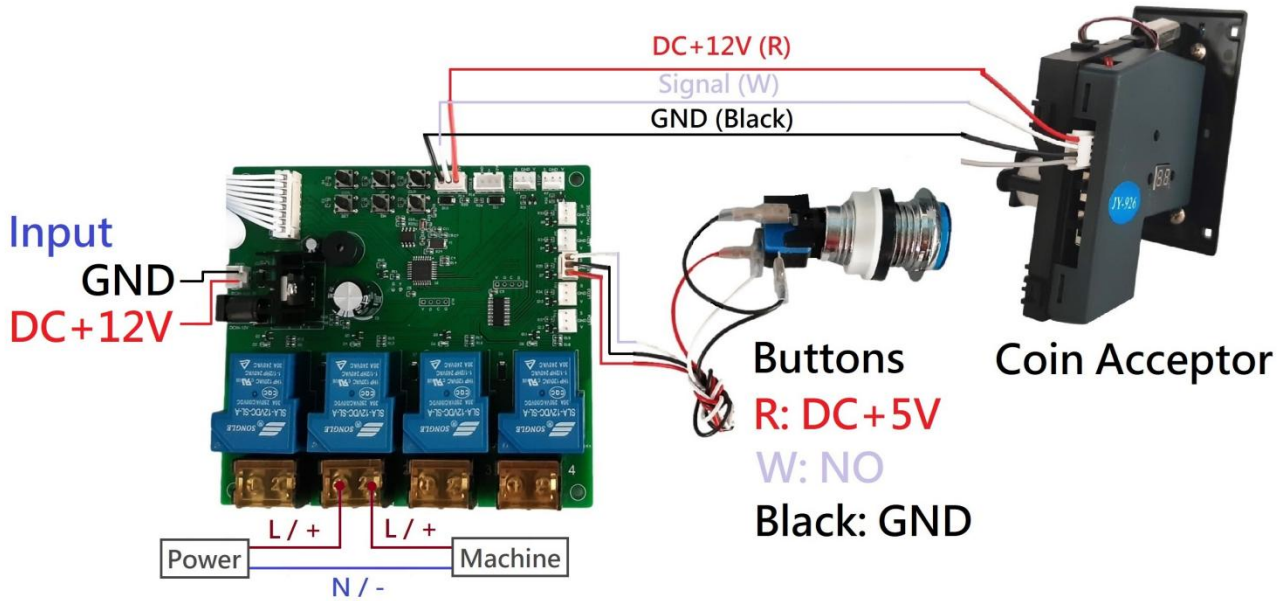
Standby with enough balance→Push button→

Time start running and the relay start working→Push button again→ Add time

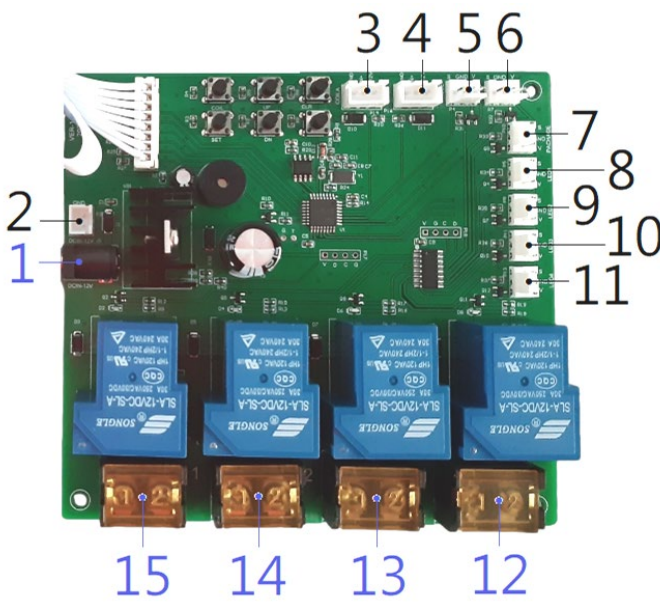
**Relay:** Standby: NO, Working: NC

**Relay working Indicate Light:** Lights when relay is working.

# JY-215 4 Channel Timer Board



## Connection

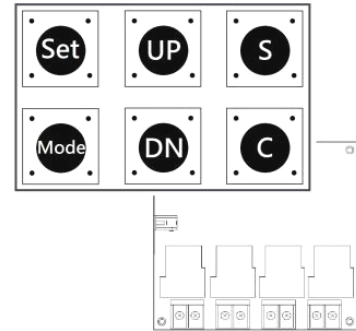
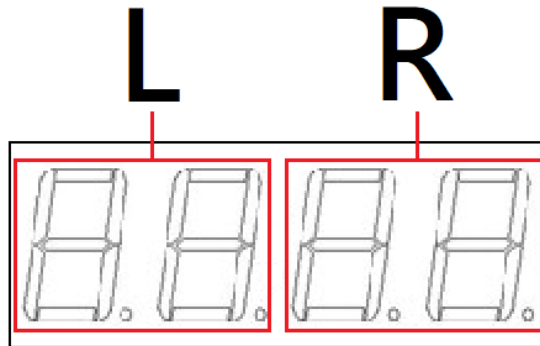
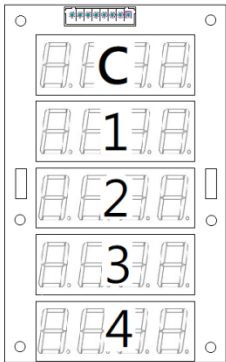


- 1: Input DC+12V - DC Jack
- 2: Input DC+12V - wiring
- 3/4: Coin Acceptor / Bill Acceptor
- 5: Button PAUSE
- 6: Button END
- 7: Button PACKAGE
- 8: Button START for Relay 1
- 9: Button START for Relay 2
- 10: Button START for Relay 3
- 11: Button START for Relay 4
- 12: Relay 4
- 13: Relay 3
- 14: Relay 2
- 15: Relay 1

3/4	5/6	7/8/9/10/11	2	12/13/14/15
1: GND(Black) 2: Signal (White) 3: DC+12V (Red)	1: Signal (White) 2: GND(Black) 3: DC+5V (Red)	1: DC+5V (Red) 2: GND(Black) 3: Signal (White)	1: GND 2: DC+12V	(1) Control L / + (2) N / - to power

# JY-215 4 Channel Timer Board

## Setting



Display

Display Digits

Setting buttons

- **Check Income: Press setting button "C".**

1	2	3	4
5	6	7	8

12345678 Show as

Display "C" and "1" for channel 1, Display "3" and "4" for channel 2

**Reset Counter:** Hold on button "C" for 2 seconds when check income

- **standby: Press setting button "S"**
- **Value setting:** Please use setting buttons to set up  
 Press button "Set"  
 Press button "C" to switch display digits between "L" and "R"  
 Press button "Mode" to switch display 1 to 4  
 Press button "UP" to add value. Press button DN to minus value.  
 Press button "Set" to switch to next code.

Value Setting	Channel	Display "C" (Code)	Display	Range
Price	1	C101	1	1-200
	2	C201	2	
	3	C301	3	
	4	C401	4	
Time	1	C102	1	59:59
	2	C202	2	
	3	C302	3	
	4	C402	4	
Package Price	Package	S-01	1	1-200
Package Time	Package	S-02	1	59:59

# JY-215 4 Channel Timer Board

● **Operation Mode setting:** Please use setting buttons to set up

Press button “Mode”

Press button “C” to switch display digits between “L” and “R”

Press button “Set” to switch to next code.

Press button “UP” to add value. Press button DN to minus value.

Operation Mode	Display “C”	Display “1”	Option
Working Mode	F1	0001	Mode 1
		0002	Mode 2
		0003	Mode 3
Time Type	F2	0001	Minute: Second
		0002	Hour: Minute
Memory (Power off and on)	F3	0003	Yes
		0004	No
Warning Sound	F4	L: 1-6 Minutes R: 01-59 seconds	01-59 seconds or 1-6 minutes Seconds is for the time under 1 minute
Back to Standby if no one use in setting	F5	Display Digits: L	01-30 minutes

● **Mode 1:**

Charge Way : Charge 1 time use

Relays **CAN** work at the same time

● **Mode 2:**

Charge Way: Charge 1 time use

Relays **CAN NOT** work at the same time.

Push button START of WORKING relay → Charge again and add time

Push button START of STANDBY relay → charge → End working and start standby relay

● **Mode 3:**

Charge Way: Charge all enough credit from balance

Relays **CAN** work at the same time

◎ **Multi Operation :**

● **Individual Pay : Pay for every time**

Standby → Pay → Push button START → Time count down, and Relay working → time is end → Relay stop working → Standby

● **Package Pay : Pay for 1 package to switch to other machine freely in time.**

Standby → Pay → Push button PACKAGE → Push button start → Charge PACKAGE PRICE → Time count down, and Relay working → Push other button start → switch to other machine free. → time is end → Relay stop working → Standby

**Note:** Push button START of working relay → Charge again and add time.