

80100 Adjustable Paper Dropper Manual

Summary

- Application: Water/Juice vending machine, Ice cream vending machine, etc
- Cup Type: 80mm-100mm PAPER CUP with edge roll.

Please follow PAPER CUP SIZE to choose cup.

Cup may be not fall if it is too stick or has no edge roll.

- Control Way: Circuit controls MOTOR POWER->

1 Cup fall, Circuit receive 1 signal (NO-Non Connect)->

Circuit cut off power.

Note: This device goes without Circuit. You need to have CONTROL CIRCUIT.

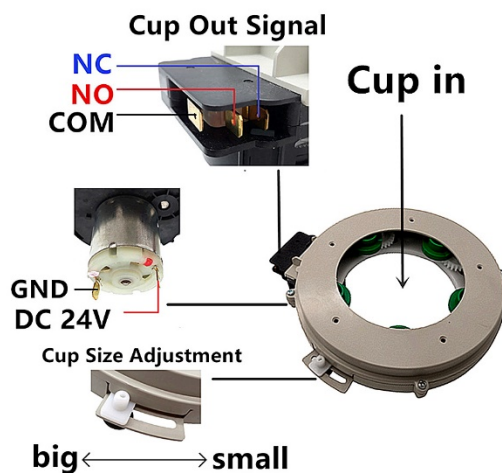
- Voltage: DC24V
- Switch Signal: Control SIGNAL WIRE “Connected” and “Non-Connected”

This device does not provide LACK OF CUP SIGNAL

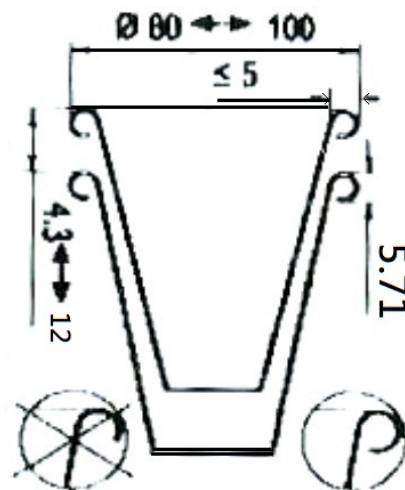
Only provide CUP OUT SIGNAL.

Send a CUP OUT SIGNAL around 1 second earlier CUP FALL.

Interface



Paper Cup Size



Usage

Motor Voltage: DC24V

Cup fall signal: A Cup fall, NO and COM are non connected.

Standby: NO and COM are connected. NC and COM are not connected.

Lack of Cup Signal: No this function.

Paper Cup size adjustment: Drive screw tie to avoid moving.